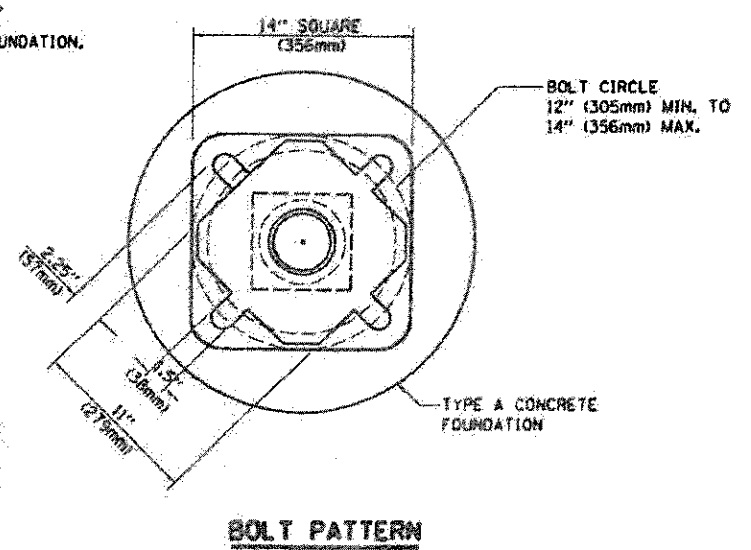


SIGN TABLE

SIGN	DIMENSIONS
R10-3b	9" (228mm) X 12" (305mm)
R10-3d	9" (228mm) X 12" (305mm)
R10-3e	9" (228mm) X 15" (381mm)



FILE NAME	USER NAME	DESIGNED	REVISED	STATE OF ILLINOIS DEPARTMENT OF TRANSPORTATION	DISTRICT 1 PEDESTRIAN PUSH BUTTON POST, TYPE A	F.A.U. RTE.	SECTION	COUNTY	TOTAL SHEETS	SHEET NO.
3726	30-F3000-22-BT	COOK/LAKE	89			71				
TS-88		CONTRACT NO. 63781								
SCALE: NONE		SHEET NO. 1 OF 1 SHEETS				STA. TO STA.				
						FED. ROAD DIST. NO. 1 ILLINOIS FED. AID PROJECT				