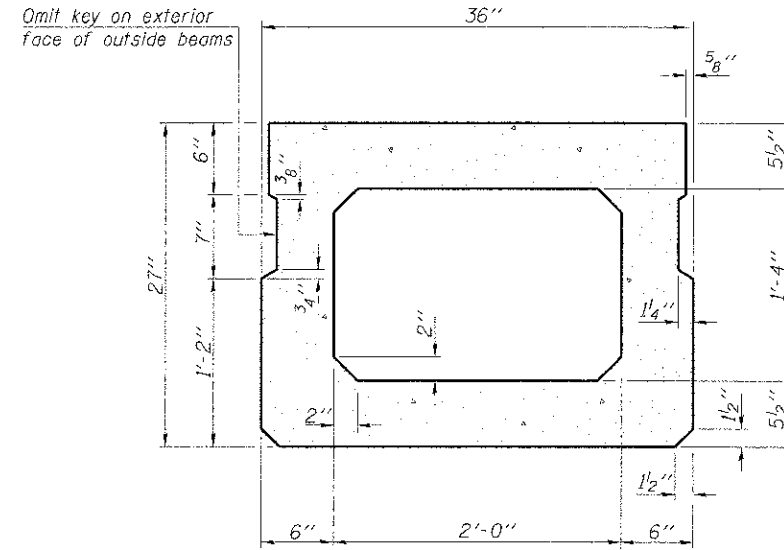
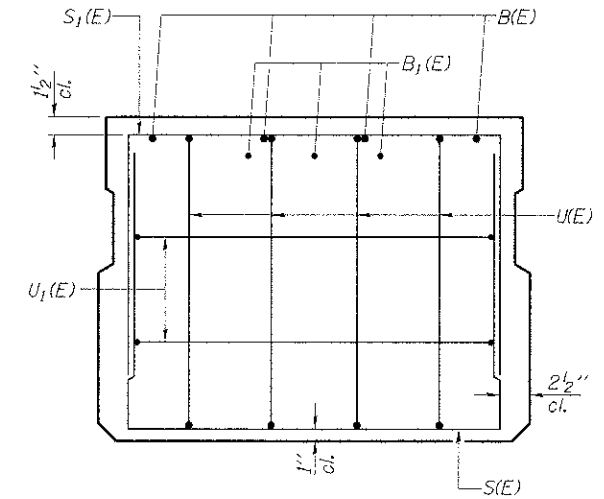


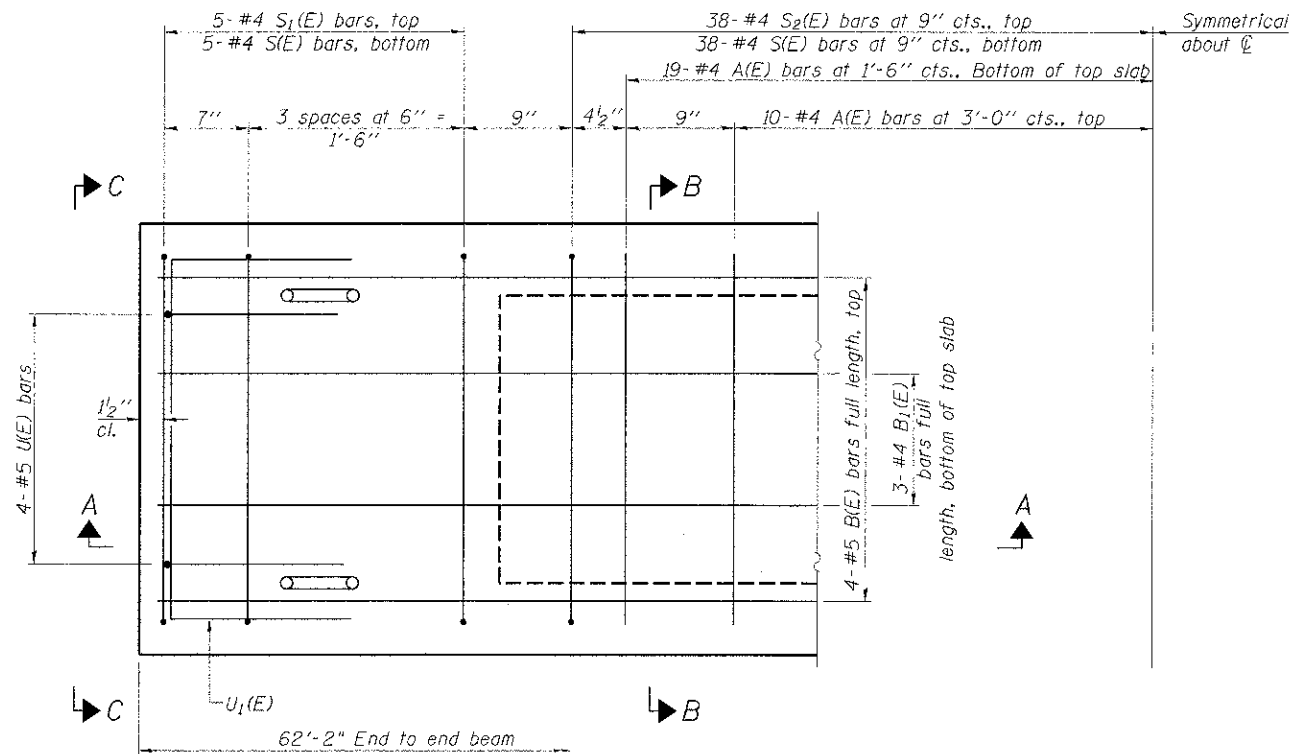
SECTION A-A



SECTION B-B  
(Showing dimensions)



VIEW C-C

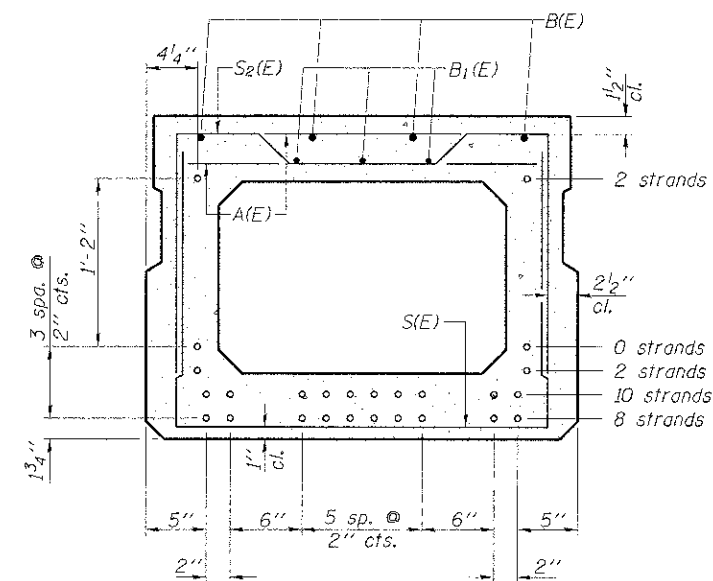


PLAN VIEW

Note: Spacing of S(E) and S<sub>2</sub>(E) bars may be adjusted up to 4" in the immediate area of the transverse tie diaphragms to miss the block outs for the transverse ties.

MINIMUM BAR LAP

#4 bar = 2'-0"  
#5 bar = 2'-6"



SECTION B-B

(Showing reinforcement and permissible strand locations)  
Note: Place the number of strands specified in each row symmetrically about the centerline of beam in the permissible strand locations shown.

BAR LIST  
ONE BEAM ONLY  
(For information only)

Bar	No.	Size	Length	Shape
A(E)	58	#4	2'-7"	—
B(E)	4	#5	61'-11"	—
B <sub>1</sub> (E)	3	#4	61'-11"	—
S(E)	86	#4	6'-5"	┌┐
S <sub>1</sub> (E)	10	#4	5'-11"	┌┐
S <sub>2</sub> (E)	76	#4	6'-2"	┌┐
U(E)	8	#5	4'-6"	┌┐
U <sub>1</sub> (E)	4	#4	5'-0"	┌┐

Note: See sheet S7 of S12 for additional details and Bill of Material.