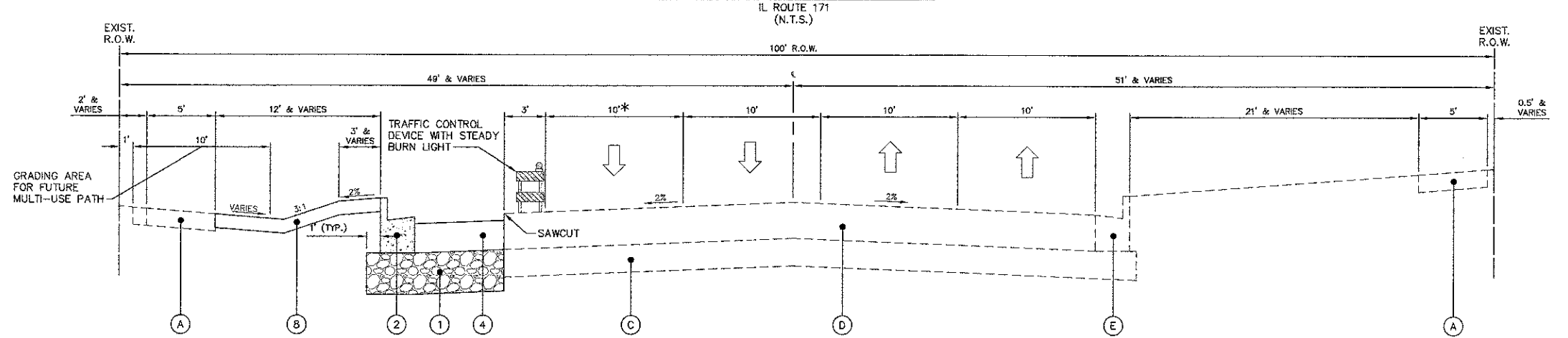
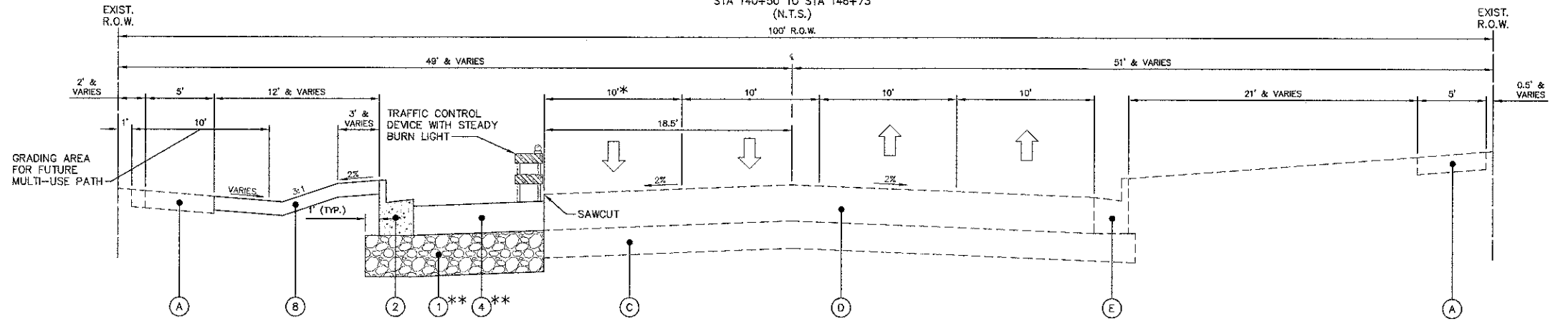


**CONSTRUCTION SECTION - STAGE 1**



**CONSTRUCTION SECTION - STAGE 1**

IL ROUTE 171 - STORM SEWER TRUNK LINE  
STA 140+50 TO STA 146+73  
(N.T.S.)



\* NOTE:  
OUTSIDE LANES MAY BE CLOSED DURING  
WORK HOURS (9:00 AM - 3:00 PM ONLY)  
TO PROVIDE A SAFETY WORK ZONE FOR  
CONSTRUCTION OPERATIONS.

\*\* NOTE:  
CONTRACTOR TO INSTALL AGGREGATE FOR  
TEMPORARY ACCESS IMMEDIATELY AFTER  
STORM SEWER IS INSTALLED UP TO A LEVEL  
SO THAT THE MAXIMUM DROPOFF FROM  
EXISTING PAVEMENT IS NOT MORE THAN 2"  
DURING THE INTERIM PERIOD PRIOR TO  
PLACEMENT OF BASE COURSE. AGGREGATE  
FOR TEMPORARY ACCESS TO BE REMOVED  
IMMEDIATELY PRIOR TO PLACEMENT OF BASE  
COURSE.

**EXISTING LEGEND**

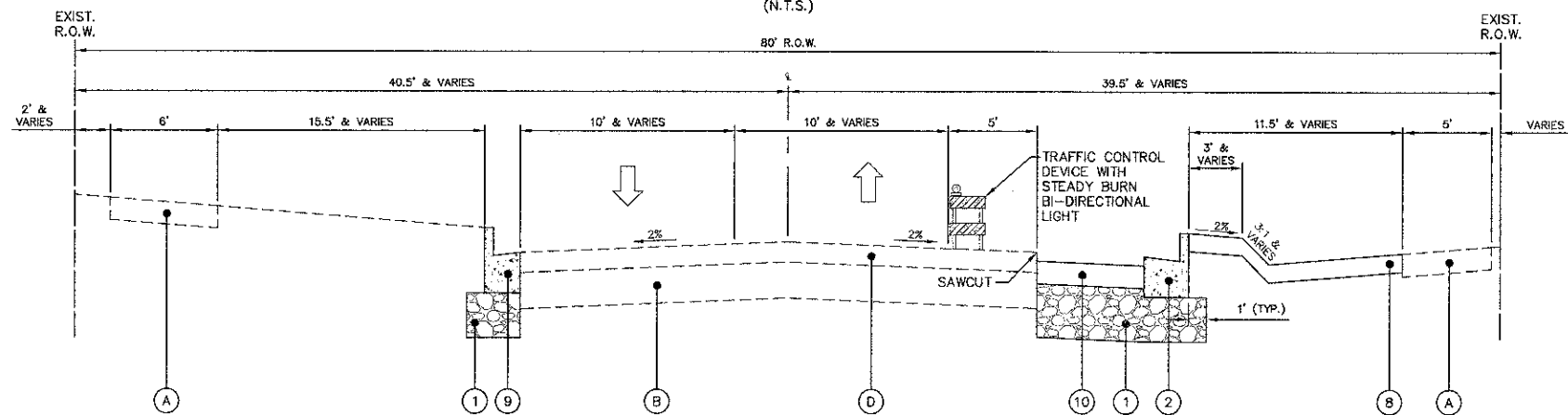
- (A) EXISTING PORTLAND CEMENT CONCRETE SIDEWALK
- (B) EXISTING AGGREGATE BASE
- (C) EXISTING CONCRETE PAVEMENT
- (D) EXISTING HOT-MIX ASPHALT PAVEMENT
- (E) EXISTING COMBINATION CONCRETE CURB & GUTTER, VARIOUS TYPES

**PROPOSED LEGEND**

- (1) AGGREGATE SUBGRADE, 12"
- (2) COMBINATION CONCRETE CURB AND GUTTER, TYPE B-6.24
- (3) COMBINATION CONCRETE CURB AND GUTTER, TYPE B-6.12
- (4) HOT-MIX ASPHALT BASE COURSE, 8 1/2"
- (5) HOT-MIX ASPHALT BASE COURSE, 5 1/4"
- (6) PORTLAND CEMENT CONCRETE SIDEWALK, 5"
- (7) AGGREGATE BASE COURSE, TYPE B, 4"
- (8) TOPSOIL, 4"; SODDING; FERTILIZER
- (9) COMBINATION CONCRETE CURB AND GUTTER, TYPE B-6.18
- (10) HOT-MIX ASPHALT BASE COURSE, 5 3/4"

**CONSTRUCTION SECTION - STAGE 1**

13TH STREET - WEST LEG  
(N.T.S.)



STATE OF ILLINOIS  
DEPARTMENT OF TRANSPORTATION

SUGGESTED CONSTRUCTION STAGING PLAN  
TYPICAL SECTION

SCALE: N.T.S. SHEET NO. 1 OF 4 SHEETS STA. N/A TO STA. N/A

F.A.P. RTE.	SECTION	COUNTY	TOTAL SHEETS	SHEET NO.
577	10-00068-00-TL	WILL	65	16
CONTRACT NO. 63788			FED. ROAD DIST. NO. 1 ILLINOIS FED. AID PROJECT M-9003(619)	

COPYRIGHT © 2013 ENGINEERING ENTERPRISES, INC.

Engineering Enterprises, Inc.  
CONSULTING ENGINEERS  
52 Wheeler Road  
Sugar Grove, Illinois 60554  
630.466.6700 / www.eelweb.com

USER NAME = Jfm.Schmidt  
DESIGNED - JRL & SWM  
DRAWN - CLN  
CHECKED - JL  
DATE - 11/13/12

REVISIONS:  
REVISED - JPS 02/08/13  
REVISED -  
REVISED - JL  
REVISED -

Plotted: February 11, 2013 @ 9:06 AM By: Jfm.Schmidt - Tab: 16 Const Staging 22-24

Path: \\S:\S\PROJECTS\10-00068-00-TL\DWG\FINAL\_ENG\10-00068-00-TL-STAGE