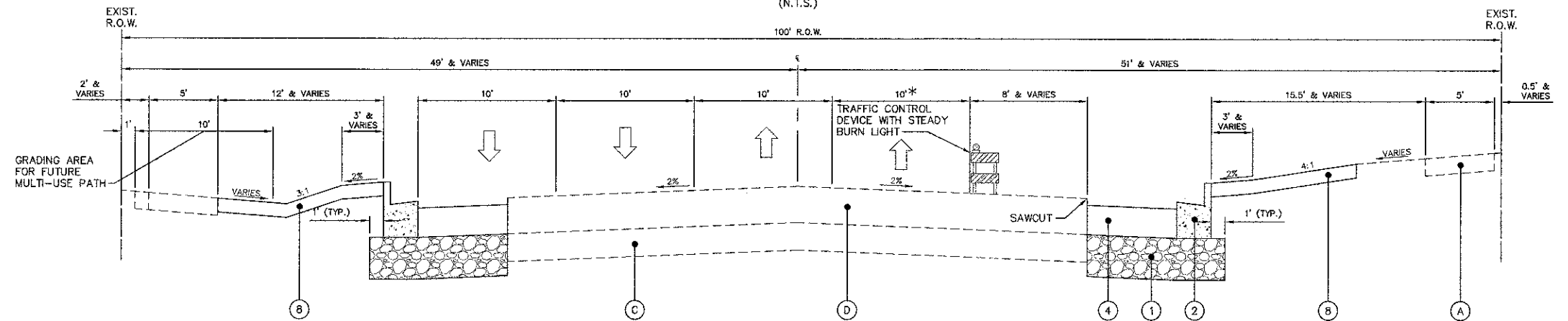


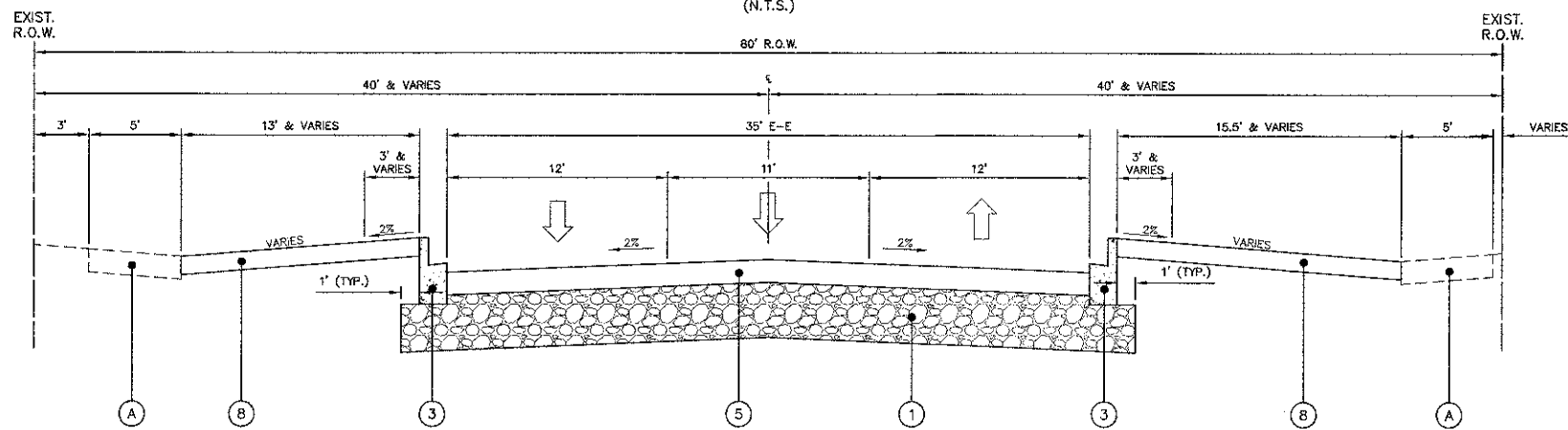
CONSTRUCTION SECTION - STAGE 2

IL ROUTE 171
(N.T.S.)



CONSTRUCTION SECTION - STAGE 2

13TH STREET - EAST LEG
(N.T.S.)



* NOTE:
OUTSIDE LANES MAY BE CLOSED DURING
WORK HOURS (9:00 AM - 3:00 PM ONLY)
TO PROVIDE A SAFETY WORK ZONE FOR
CONSTRUCTION OPERATIONS.

EXISTING LEGEND

- (A) EXISTING PORTLAND CEMENT CONCRETE SIDEWALK
- (B) EXISTING AGGREGATE BASE
- (C) EXISTING CONCRETE PAVEMENT
- (D) EXISTING HOT-MIX ASPHALT PAVEMENT
- (E) EXISTING COMBINATION CONCRETE CURB & GUTTER, VARIOUS TYPES

PROPOSED LEGEND

- (1) AGGREGATE SUBGRADE, 12"
- (2) COMBINATION CONCRETE CURB AND GUTTER, TYPE B-6.24
- (3) COMBINATION CONCRETE CURB AND GUTTER, TYPE B-6.12
- (4) HOT-MIX ASPHALT BASE COURSE, 8 1/2"
- (5) HOT-MIX ASPHALT BASE COURSE, 5 1/4"
- (6) PORTLAND CEMENT CONCRETE SIDEWALK, 5"
- (7) AGGREGATE BASE COURSE, TYPE B, 4"
- (8) TOPSOIL, 4"; SODDING; FERTILIZER
- (9) COMBINATION CONCRETE CURB AND GUTTER, TYPE B-6.18
- (10) HOT-MIX ASPHALT BASE COURSE, 5 3/4"

Plotted: February 8, 2013 @ 7:53 AM By: Larry Nolan - Tab: 17 Const Staging 22-34
 COPYRIGHT © 2013 ENGINEERING ENTERPRISES, INC.

Engineering Enterprises, Inc.
 CONSULTING ENGINEERS
 52 Windsor Road
 Sugar Grove, Illinois 60554
 630.466.6700 / www.eeiweb.com

USER NAME = Larry Nolan	DESIGNED - JRL & SWM	REVISED - JFS 02/08/13
PLOT SCALE =	DRAWN - CLN	REVISED -
PLOT DATE = February 8, 2013	CHECKED - JL	REVISED -
	DATE - 11/13/12	REVISED -

STATE OF ILLINOIS
DEPARTMENT OF TRANSPORTATION

SUGGESTED CONSTRUCTION STAGING PLAN			
TYPICAL SECTION			
SCALE: N.T.S.	SHEET NO. 2 OF 4 SHEETS	STA. N/A	TO STA. N/A

F.A.P. RTE.	SECTION	COUNTY	TOTAL SHEETS	SHEET NO.
577	10-00068-00-TL	WILL	65	17
FED. ROAD DIST. NO. 1 ILLINOIS FED. AID PROJECT N-90036191			CONTRACT NO. 63788	

For: H:\GIS\PROJ\10068\DWG\STAGING_FINAL_ENG\10068-STAGE