

**CONSTRUCTION SEQUENCE**

**PRE-STAGE**

**CONSTRUCTION:**

INSTALL PERIMETER EROSION BARRIER AND EROSION CONTROL MEASURES TO PROTECT EXISTING DRAINAGE SYSTEM. REMOVE PAVED SHOULDER AND CURB AND GUTTER. CONSTRUCT TEMPORARY PAVEMENT ALONG EASTBOUND ROLLINS ROAD.

**TRAFFIC CONTROL:**

CLOSE EASTBOUND OUTSIDE TRAFFIC LANE UTILIZING STATE STANDARD 701606.

**STAGE 1**

**CONSTRUCTION:**

CONSTRUCT WESTBOUND ROLLINS ROAD UNDERPASS, BINDER COURSE AND CURB AND GUTTER. CONSTRUCT MILLENNIUM TRAIL NORTH OF ROLLINS ROAD. INSTALL DITCH CHECKS AND PLACE TEMPORARY SEED.

**TRAFFIC CONTROL:**

CLOSE WESTBOUND TRAFFIC LANES AND SHIFT TRAFFIC ONTO EASTBOUND LANES PROVIDING TWO-WAY TRAFFIC.

**STAGE 2**

**CONSTRUCTION:**

CONSTRUCT EASTBOUND ROLLINS ROAD UNDERPASS, BINDER COURSE AND CURB AND GUTTER. CONSTRUCT MILLENNIUM TRAIL SOUTH OF ROLLINS ROAD. INSTALL DITCH CHECKS AND PLACE TEMPORARY SEED.

**TRAFFIC CONTROL:**

CLOSE EASTBOUND TRAFFIC LANES AND SHIFT TRAFFIC ONTO WESTBOUND LANES PROVIDING TWO-WAY TRAFFIC.

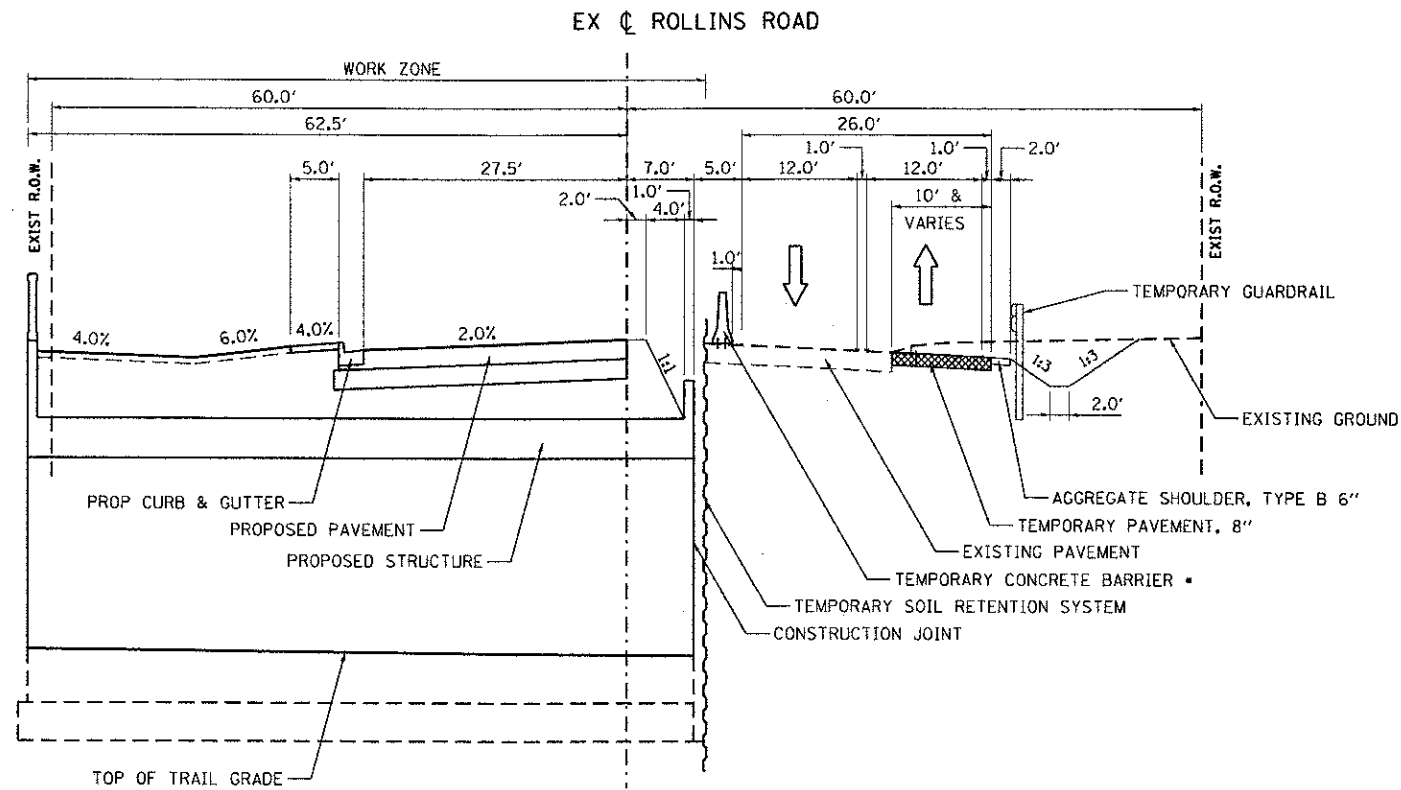
**STAGE 3**

**CONSTRUCTION:**

CONSTRUCT SURFACE COURSE AND FINAL PAVEMENT MARKINGS. INSTALL PERMANENT SEEDINGS IN ALL DISTURBED AREAS.

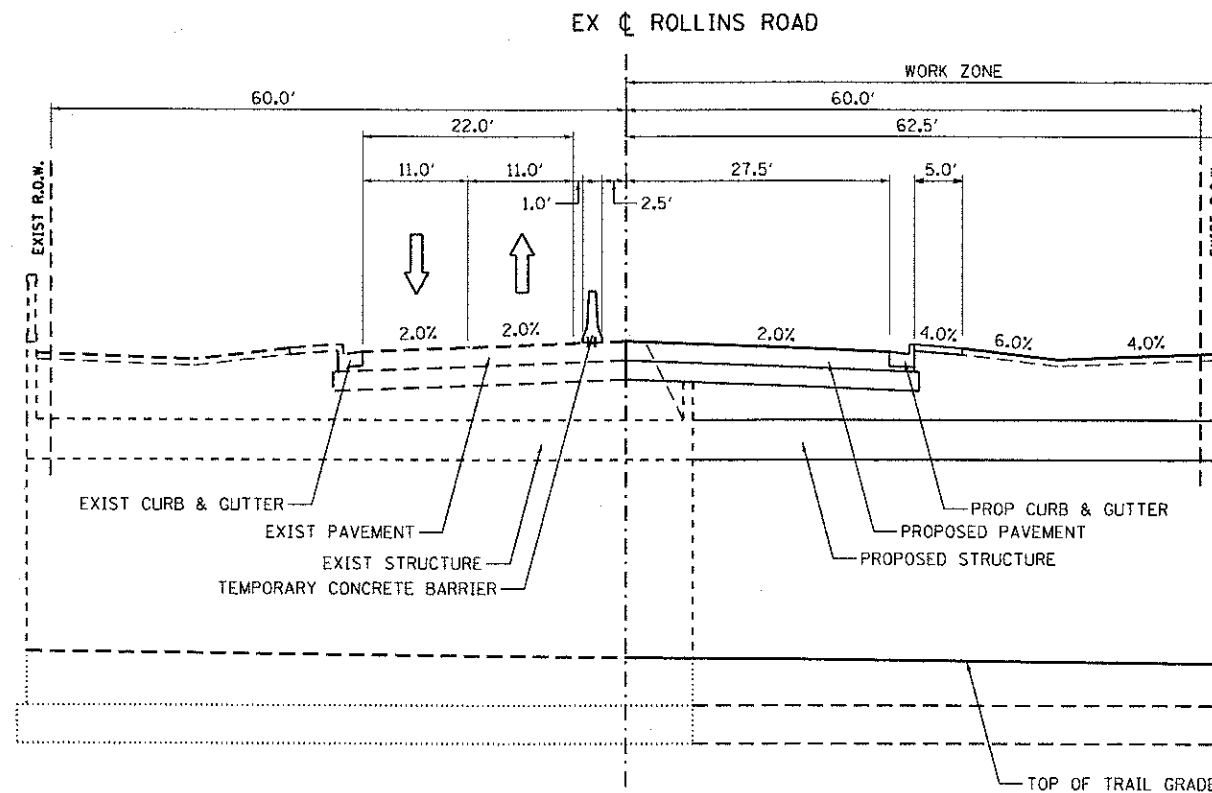
**TRAFFIC CONTROL:**

UTILIZE STATE STANDARD 701606.



**STAGE 1 TYPICAL**  
STA. 368+01 TO STA. 368+21

• TEMPORARY TRAFFIC BARRIER SHALL BE PINNED FOR STAGE I & STAGE II CONSTRUCTION FROM STA 367+29 TO STA 369+05



**STAGE 2 TYPICAL**  
STA. 368+01 TO STA. 368+21

**MILLENNIUM TRAIL  
LAKE COUNTY FOREST PRESERVES**

**STAGES OF CONSTRUCTION - TYPICAL SECTIONS  
ROLLINS ROAD UNDERPASS**

F.A.U. RTE.	SECTION	COUNTY	TOTAL SHEETS	SHEET NO.
181	12-F3000-01-BT	LAKE	118	25
CONTRACT NO. 63807			FED. ROAD DIST. NO. [ILLINOIS] FED. AID PROJECT	

SCALE: SHEET NO. OF SHEETS STA. TO STA.

FILE NAME = M:\PROJ\2020087\21\1\_Rollins\Design\N07\0820087\_01-MGT\_Typical.dgn

**Ciorba Group, Inc.**  
CONSULTING ENGINEERS  
5507 North Cumberland Avenue, Suite 402  
Chicago, Illinois 60655  
Tel. 773.775.4009 Fax 773.775.4014

USER NAME	DESIGNED	REVISIONS
jkjellman	-	-
PLOT SCALE = 20.0000' / in.	DRAWN -	REVISIONS -
PLOT DATE = 4/8/2013	CHECKED -	REVISIONS -
	DATE -	REVISIONS -