

GENERAL NOTES

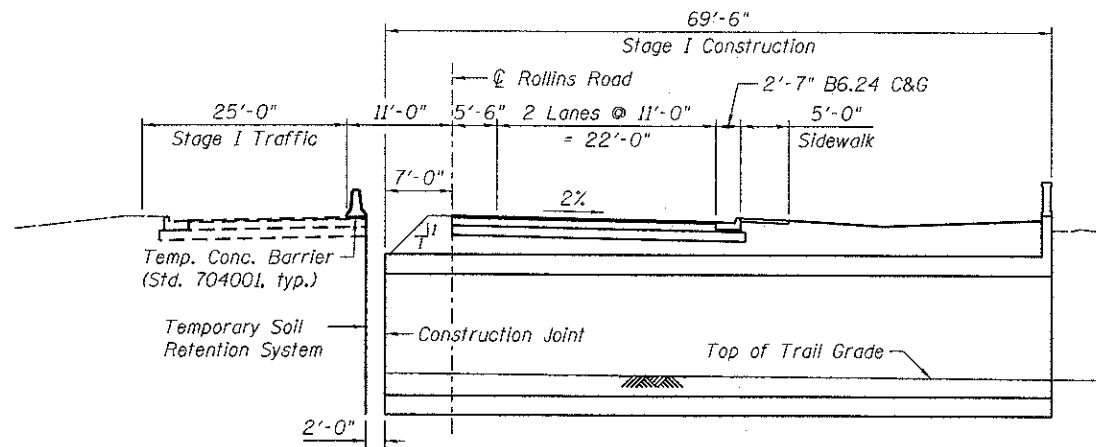
- Reinforcement bars designated (E) shall be epoxy coated.
- A cantilevered sheet piling does not appear feasible and additional members or other retention systems may be necessary. The Contractor shall submit a temporary soil retention system design including plan details and calculations for review and acceptance by the Engineer.
- The Contractor is alerted to the fact that the soil borings indicate the presence of sand and silt layers below the static groundwater elevation of 769 feet. Aggressive dewatering utilizing well-points, deep sumps, cut-off walls or other means may be necessary for deeper excavations. The dewatering should be accomplished prior to soil excavation. Soils exposed during excavation may lose bearing strength and stability if permitted to become saturated. Mud slabs, gravel blankets or other means may be required to stabilize the bottom of excavations. The Contractor is responsible for designing and constructing stable temporary excavations by shoring, sloping, benching, or restraining the sides of excavations as required to maintain stability of both the excavation sides and bottom. If loss of bearing strength or stability occurs due to the Contractor not properly designing or constructing the excavation, the Contractor will be required to remove the unsuitable and/or unstable material and backfill as directed by the Engineer at no additional cost to the Contract. See Geotechnical Investigation Report for additional information.

TOTAL BILL OF MATERIAL

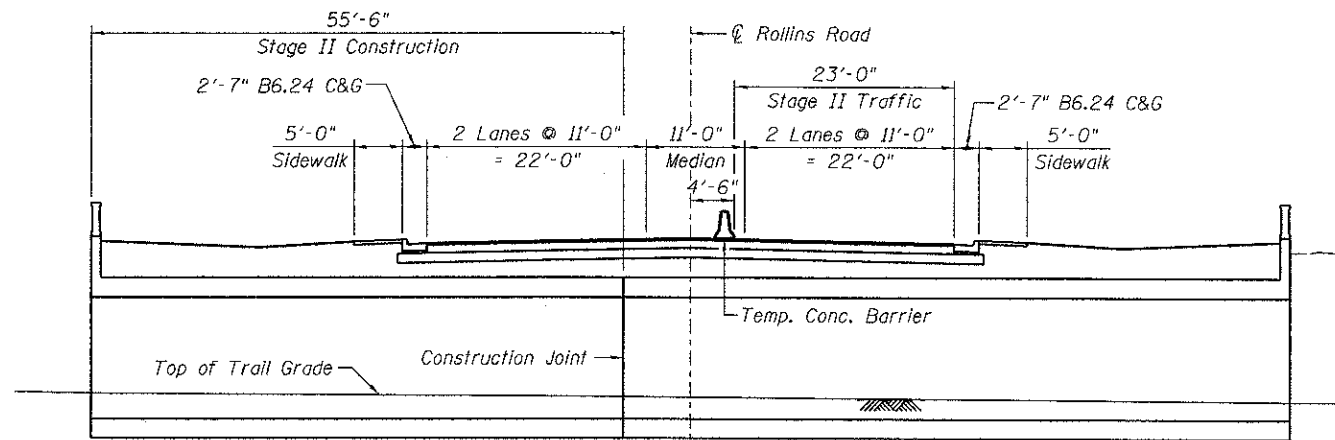
Item	Unit	Total
Porous Granular Embankment	Cu. Yd.	6,567
Geotechnical Fabric for Ground Stabilization	Sq. Yd.	267
Stone Riprap, Class A2	Ton	523
Aggregate Base Course, Type B	Cu. Yd.	89
Concrete Structures	Cu. Yd.	742.6
Rubbed Finish	Sq. Ft.	5,227
Reinforcement Bars, Epoxy Coated	Pound	94,700
Bar Splicers	Each	123
Name Plates	Each	1
Membrane Waterproofing	Sq. Ft.	2,875
Geocomposite Wall Drain	Sq. Yd.	524
Structure Excavation, Special	Cu. Yd.	8,826
Ornamental Railing	Foot	145
Staining Concrete Structures	Sq. Yd.	247
Form Liner Textured Surface, Special	Sq. Ft.	2,215
Pipe Underdrains for Structures, 4"	Foot	695
Temporary Soil Retention System	Sq. Ft.	2,526

INDEX OF SHEETS

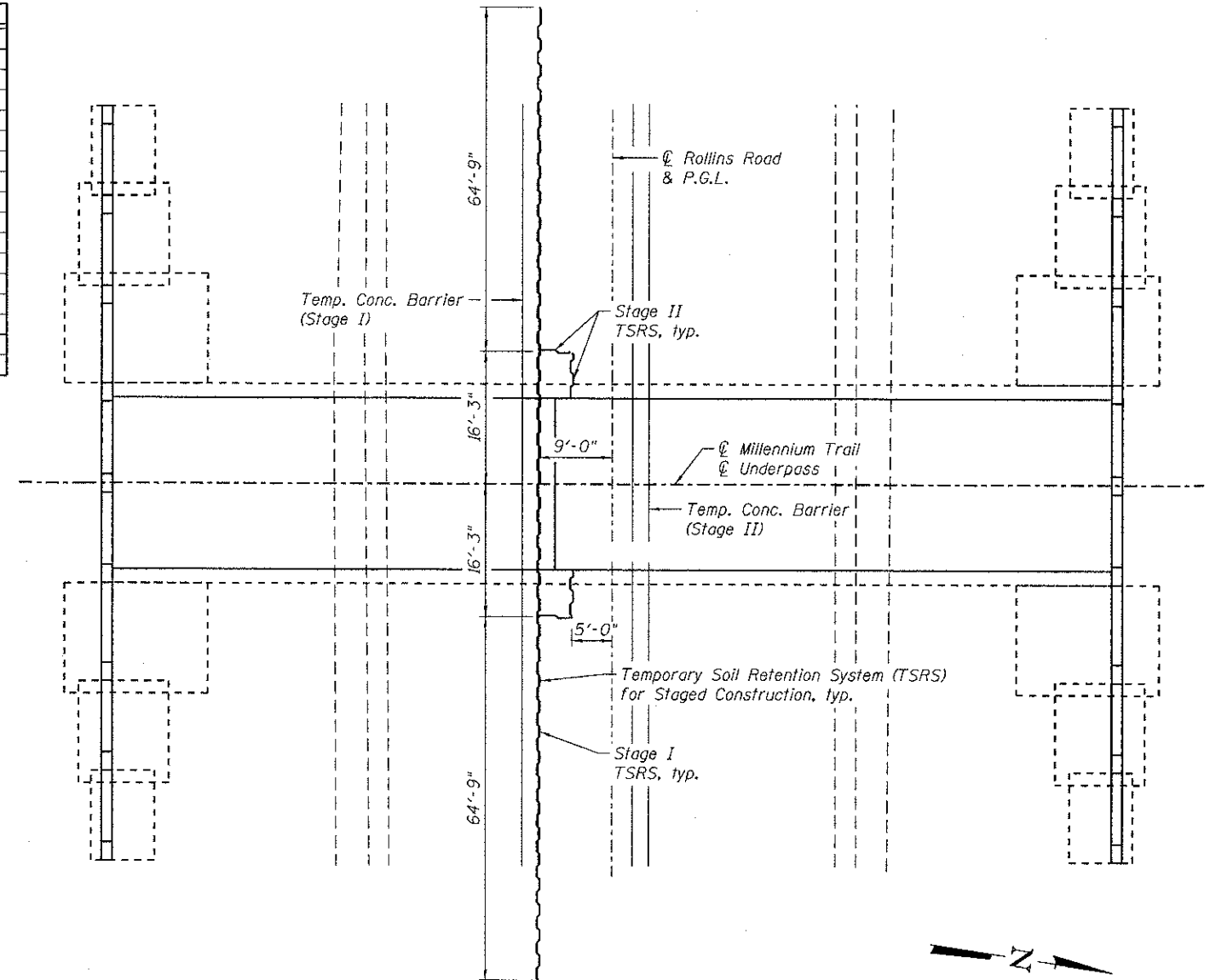
- S-1 General Plan & Longitudinal Section
- S-2 General Notes, Total Bill of Materials & Staging Details
- S-3 Underpass Plan and Elevation
- S-4 Underpass Details
- S-5 South Wingwalls Details
- S-6 North Wingwalls Details
- S-7 Wingwall Details
- S-8 Architectural Details
- S-9 Bar Splicer Assembly and Mechanical Splicer Details
- S-10 Soil Borings 1
- S-11 Soil Borings 2
- S-12 Soil Borings 3



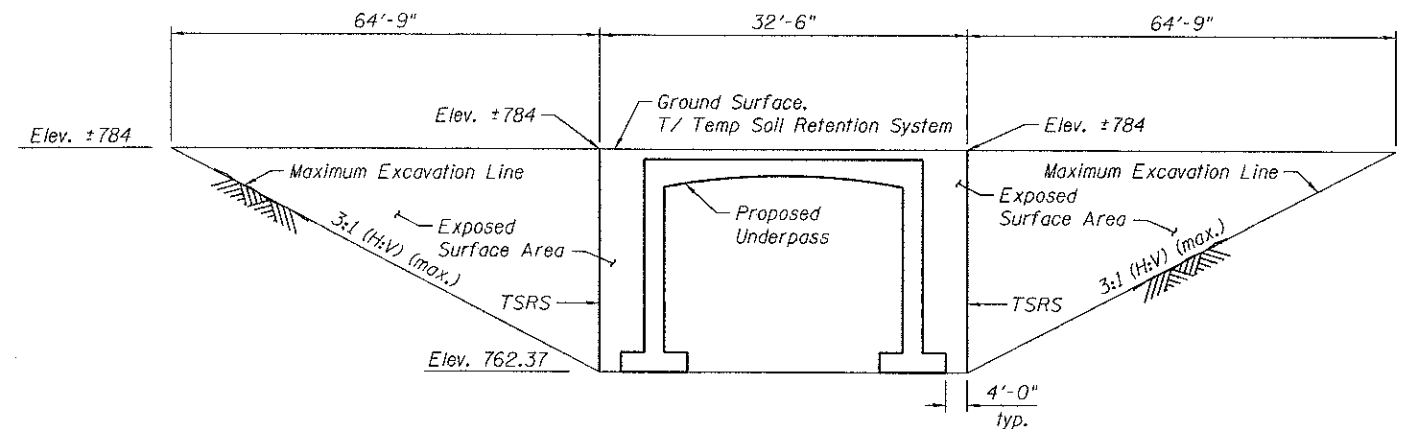
STAGE I CONSTRUCTION
(Looking West)



STAGE II CONSTRUCTION
(Looking West)



TEMPORARY SOIL RETENTION SYSTEM - PLAN



TEMPORARY SOIL RETENTION SYSTEM - ELEVATION

N:\PROJECTS\2012\0627\011\Rollins\Design\Structure\CAD\00220087_01_002_General_Notes_Bill_of_Materials.dwg
 11/1/2013 10:11 AM



USER NAME = rdanley	DESIGNED - APD	REVISED -
PLOT SCALE = 0.1/0.000 '1' = 1/16"	CHECKED - BWS	REVISED -
PLOT DATE = 4/8/2013	DRAWN - SRG	REVISED -
	CHECKED - APD	REVISED -

**MILLENNIUM TRAIL
LAKE COUNTY FOREST PRESERVES**

GENERAL NOTES, TOTAL BILL OF MATERIALS & STAGING DETAILS
STRUCTURE NO. 049-N008
 SHEET NO. S-2 OF S-12 SHEETS

F.A.U. RTE.	SECTION	COUNTY	TOTAL SHEETS	SHEET NO.
181	12-F3000-01-BT	LAKE	118	51
CONTRACT NO. 63807			ILLINOIS FED. AID PROJECT	