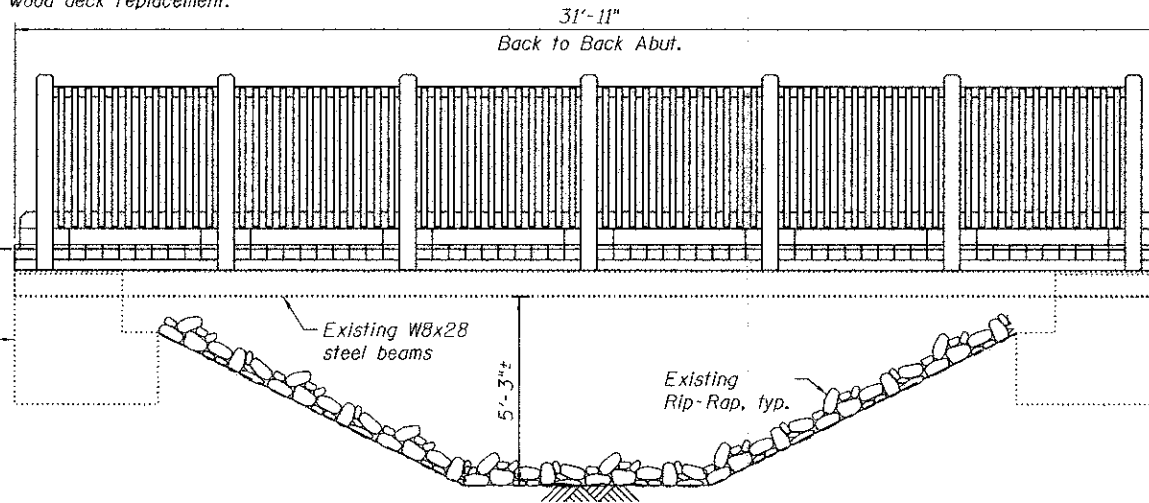
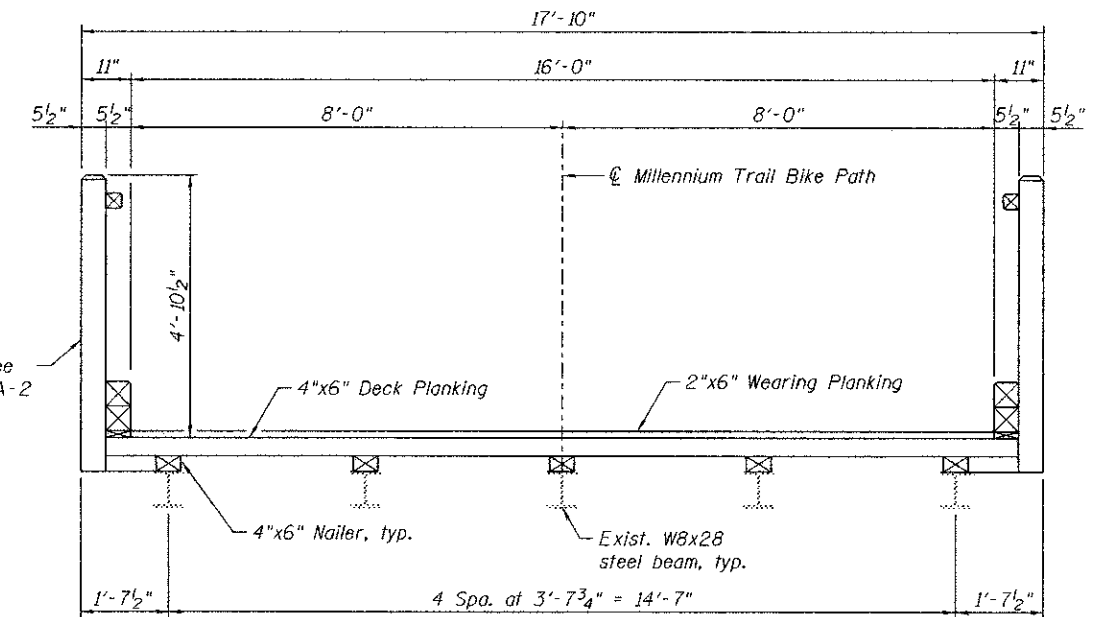


Existing Structure: The existing structure consists of a single span wood plank deck on steel WF beams supported on concrete abutments. The foundations are unknown. Back to back of abutments measures 31'-11". Out to out deck measures 16'-0 1/2". The path will be closed during wood deck replacement.



ELEVATION



PROPOSED SECTION

SCOPE OF WORK

1. Remove and replace existing wood deck.
2. Furnish and install new railings.

INDEX OF SHEETS:

- SA-1 General Plan, Elevation & Cross Section
- SA-2 Deck and Railing Layout
- SA-3 Railing Details
- SA-4 Soil Boring

DESIGN SPECIFICATIONS

- 2009 AASHTO LRFD Guide Specifications for the Design of Pedestrian Bridges, 2nd Edition
- 2012 AASHTO LRFD Bridge Design Specifications with 2012 Interims
- 2012 National Design Specifications for Wood Construction

DESIGN STRESSES

FIELD UNITS

- $f_y = 36,000$ psi (Existing Beams)
- $f_b = 1,650$ psi (Timber Members)

LOADING H-5

No allowance for future wearing surface.

TOTAL BILL OF MATERIAL

ITEM	UNIT	TOTAL
* Removal of Existing Timber Members	L. Sum	1
Treated Timber	F.B.M.	4,610
Hardware	Pound	260

* See Special Provisions

GENERAL PLAN, ELEVATION

& CROSS SECTION

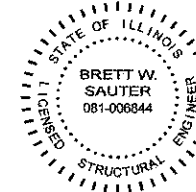
MILLENNIUM BIKE PATH OVER MILL CREEK BRIDGE

SEC. 12-F3000-01-BT

LAKE COUNTY

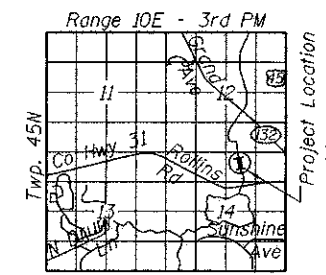
STATION 121+33.78

STRUCTURE NUMBER 049-P003

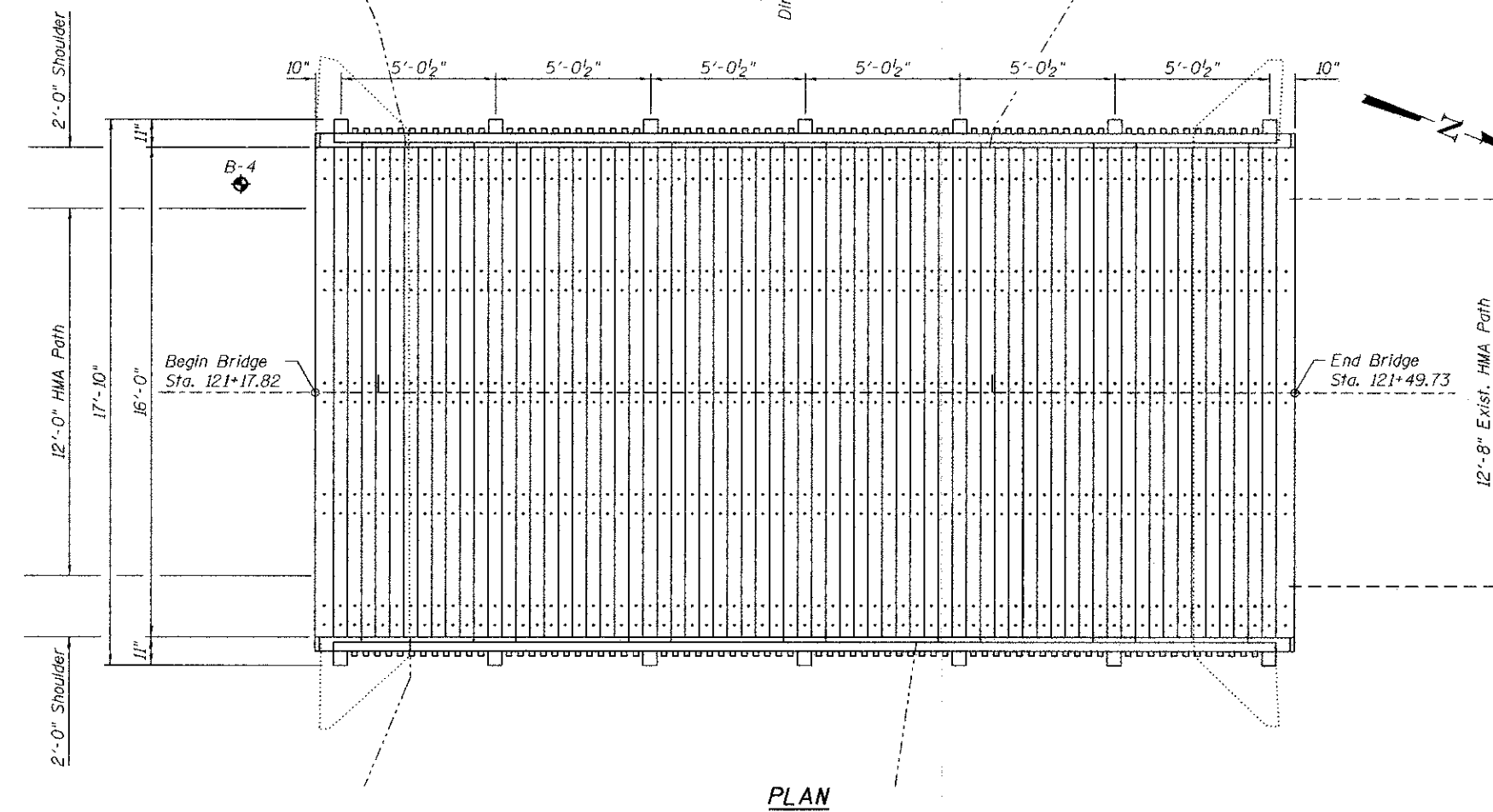


DATE: 4/5/2013
SEAL EXPIRES: 11/30/2014

I certify that to the best of knowledge, information and belief, this culvert design is structurally adequate for the design loading shown on the plans. The design is an economical one for the style of structure and complies with requirements of the current AASHTO LRFD Bridge Design Specifications.



LOCATION SKETCH



PLAN

N:\PROJ\0220087\01\1\Railma\Design\Structural\CAD\Mill Creek Bridge\Mill Creek Bridge_01.dwg



USER NAME = rdanley	DESIGNED - AD	REVISED -
PLLOT SCALE = 2/8" = 1' = 1/4"	CHECKED - BWS	REVISED -
PLLOT DATE = 4/8/2013	DRAWN - RD	REVISED -
	CHECKED - BWS	REVISED -

**MILLENNIUM TRAIL
LAKE COUNTY FOREST PRESERVES**

SHEET NO. SA-1 OF SA-4 SHEETS

F.A. RTE.	SECTION	COUNTY	TOTAL SHEETS	SHEET NO.
181	12-F3000-01-BT	LAKE	118	62

CONTRACT NO. 63807
ILLINOIS FED. AID PROJECT