

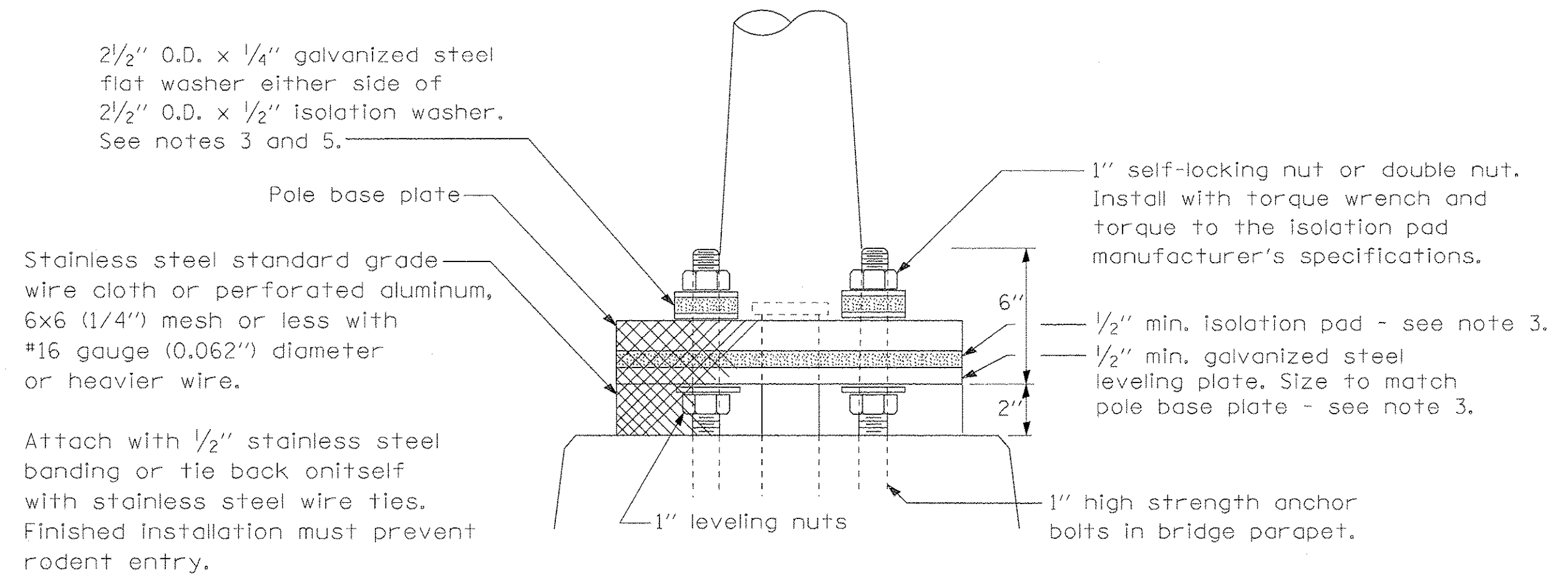
**POLE WIRING DETAIL**  
NO SCALE

**GENERAL NOTES**

All cable splices shall be shrink tube unless another method has been specifically approved by the Engineer.

For example purposes the pole is shown on an anchor base. If the pole is required to be set on a breakaway base, consult the Standard Specifications.

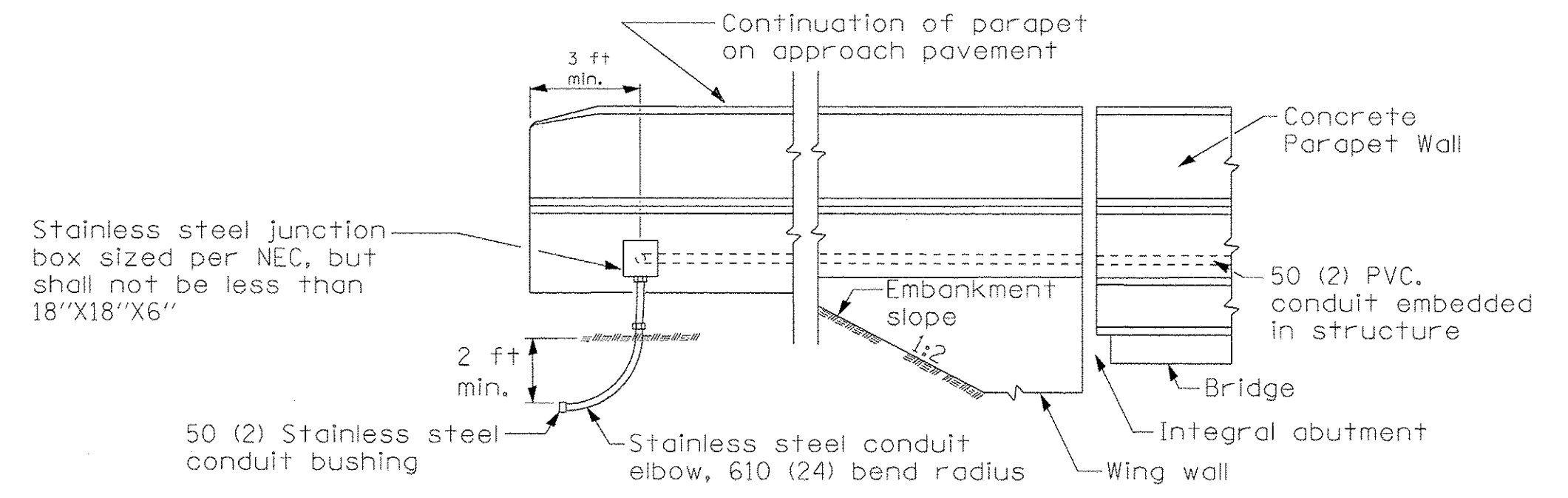
All dimensions are in millimeters (inches) unless otherwise shown.



**Pole Mounted on Bridge Parapet Detail**

**GENERAL NOTES**

1. Locate poles over bridge piers where possible.
2. The vibration isolation pad and leveling plate shall match the footprint of the pole base plate.
3. Thickness of isolation pad and washers shall be according to the isolation pad manufacturer's recommendations based upon pole height and loading.
4. Should the length of the exposed anchor bolts be too short on an existing bridge to mount the poles as shown, then the leveling plate shall be mounted directly on the concrete and leveled with stainless steel washers. Remove concrete as directed by the Engineer to fully thread the top nut.
5. The diameter of the flat washer on either side of the isolation washer shall be at least the same as the diameter of the isolation washer.



**CONDUIT DETAIL**  
(Integral Abutment)

PLOT SCALE: 1:1  
 ...\\10055-sht-light-details02.dgn  
 USER NAME = eship  
 PLOT DATE = 2/19/2013  
 Phase: I:\General\10055\_Civil\Plan\_Table.tbl

FILE NAME =	DESIGNED - GHT	REVISED -
...\\10055-sht-light-details02.dgn	DRAWN - JLW	REVISED -
USER NAME = eship	CHECKED - GRR	REVISED -
PLOT DATE = 2/19/2013	DATE - 02/04/2013	REVISED -



**STATE OF ILLINOIS**  
**DEPARTMENT OF TRANSPORTATION**

<b>LIGHTING DETAILS</b>				
SCALE:	SHEET NO.	OF SHEETS	STA.	TO STA.

F.A.I. RTE.	SECTION	COUNTY	TOTAL SHEETS	SHEET NO.
	08-00251-00-BR	COOK	118	51
CONTRACT NO. 63817				
ILLINOIS FED. AID PROJECT				