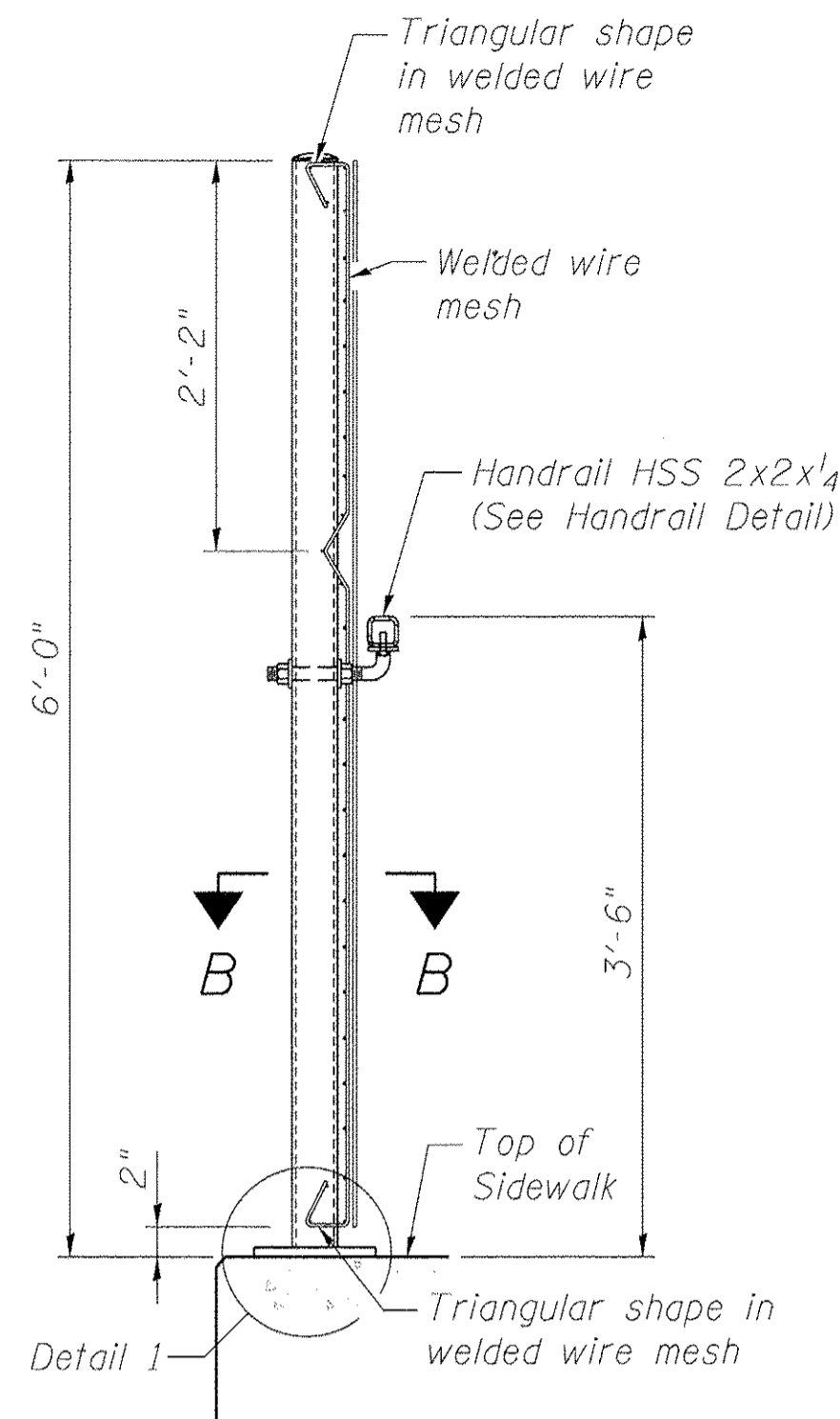
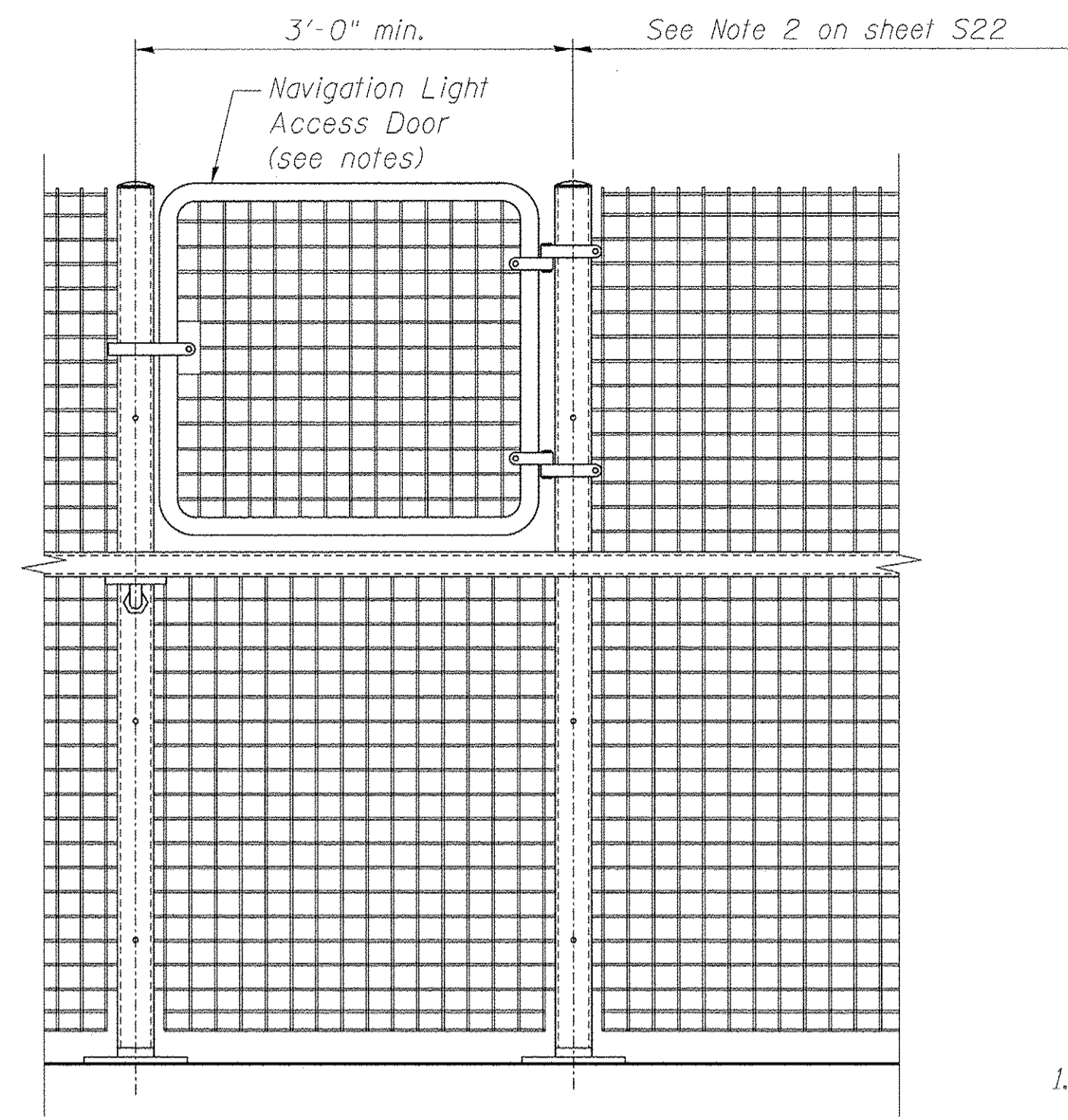


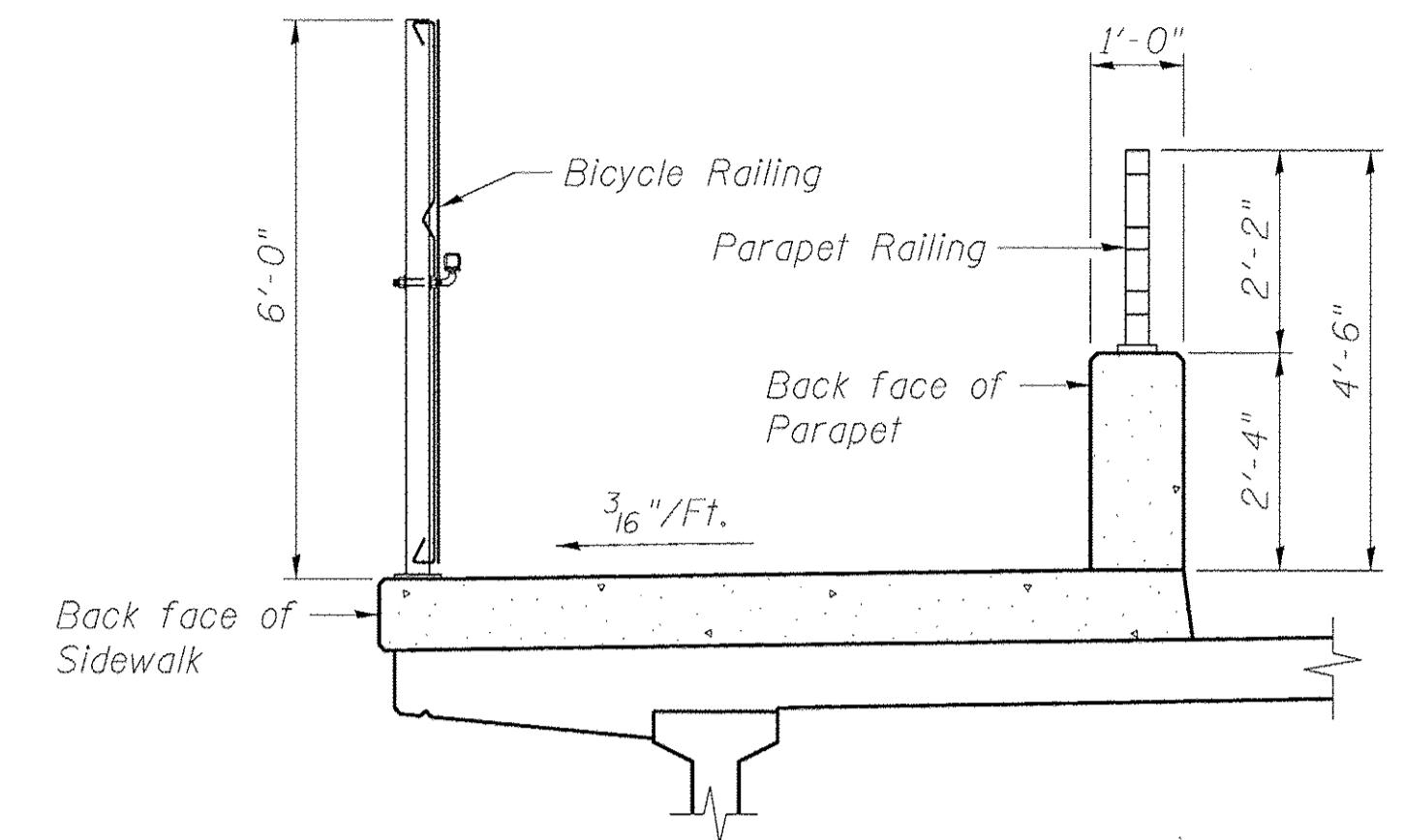
**BICYCLE RAILING**  
**TYPICAL ELEVATION**  
(Inside Face)



**SECTION A-A**  
(Bicycle Railing)



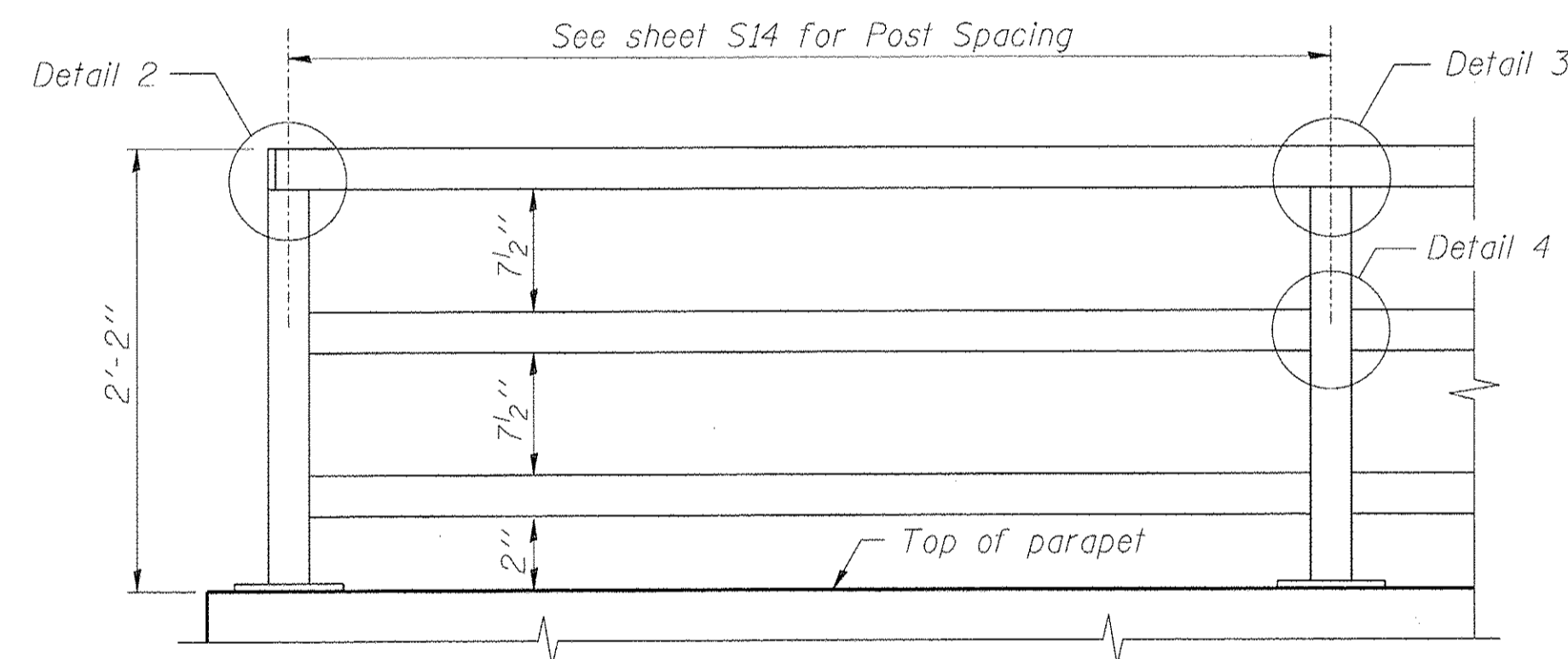
**BICYCLE RAILING ELEVATION**  
**AT NAVIGATION LIGHT ACCESS DOOR**  
(Inside Face)



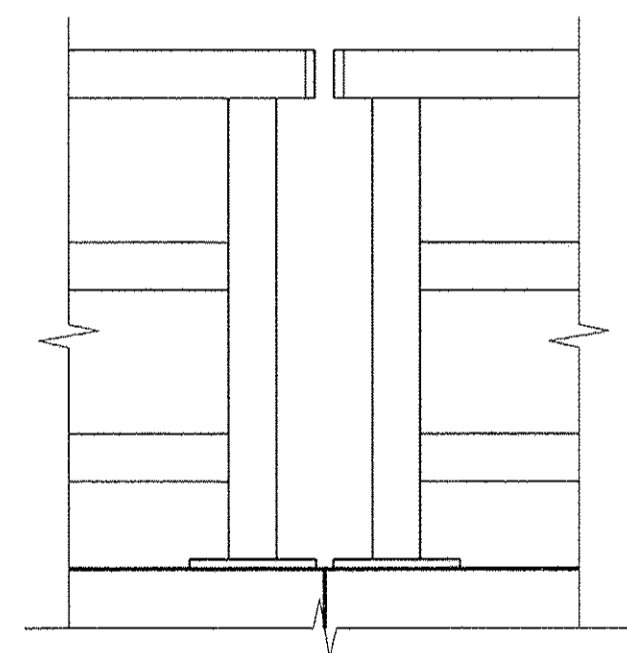
**SECTION THRU SIDEWALK**

**NAVIGATION LIGHT ACCESS DOOR NOTES:**

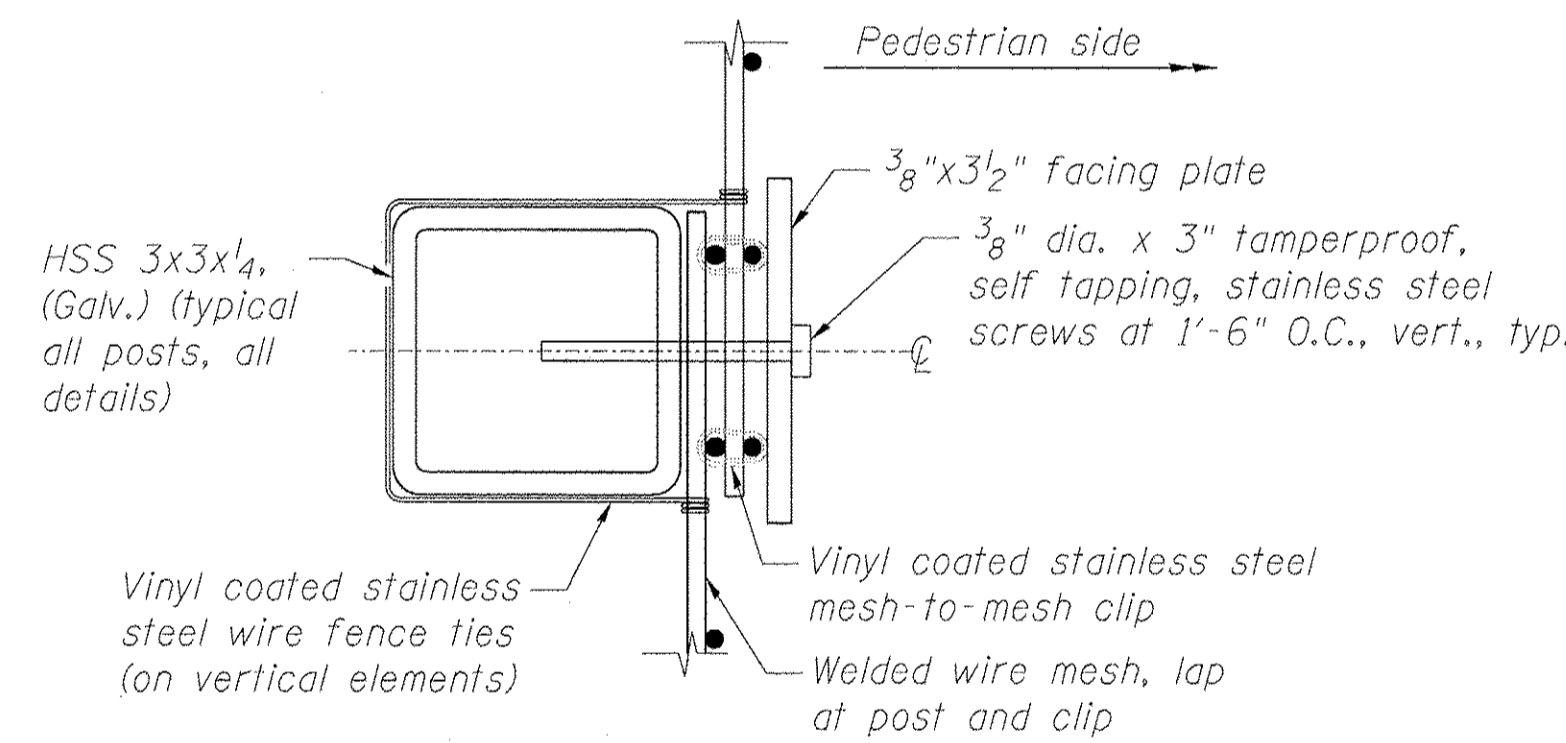
1. An access door shall be provided in the bicycle railing at each of the navigation lights. The Contractor shall provide a detail of this access door to the City of Evanston for approval prior to ordering materials.
2. The access door shall be capable of locking to prevent pedestrians from opening the door.
3. The cost of all materials and labor associated with the access door shall be included in the cost of Bicycle Railing.



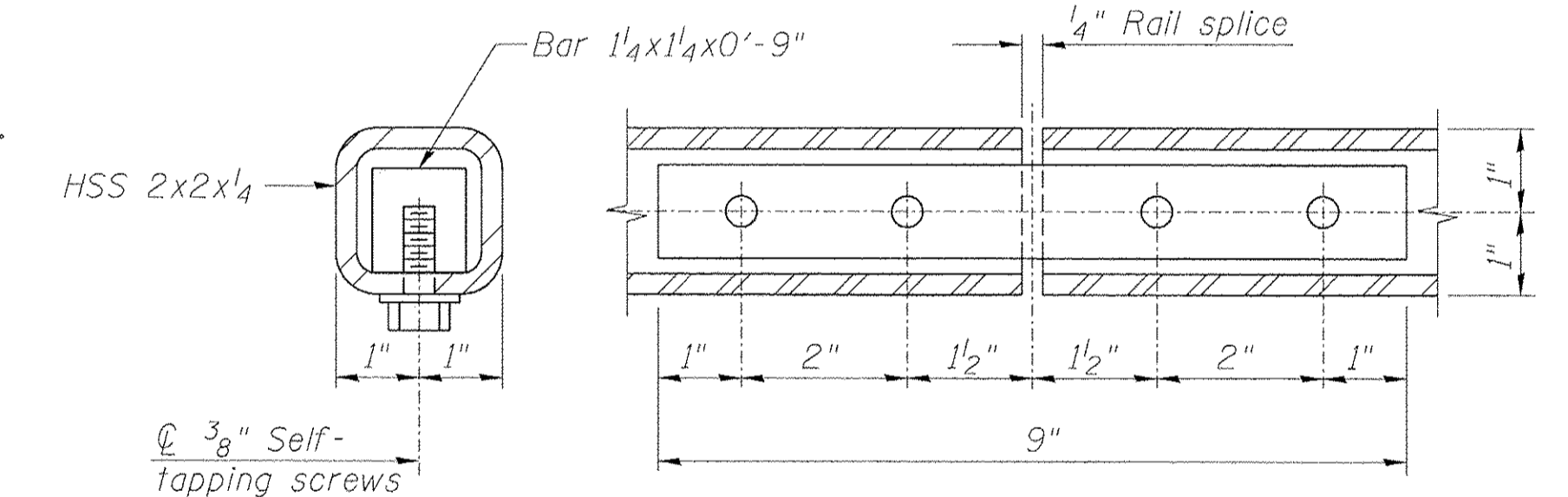
**PARAPET RAILING**  
**ELEVATION**  
(Inside Face of Three Element Rail)



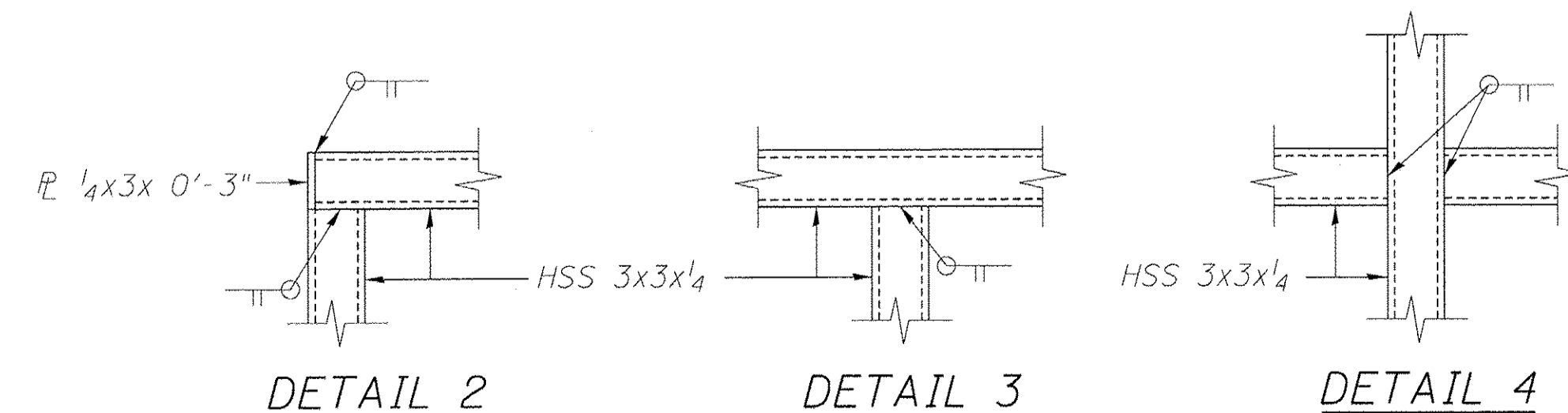
**PARAPET RAILING**  
**ELEVATION AT JOINT**



**SECTION B-B**  
(Typical at each post)



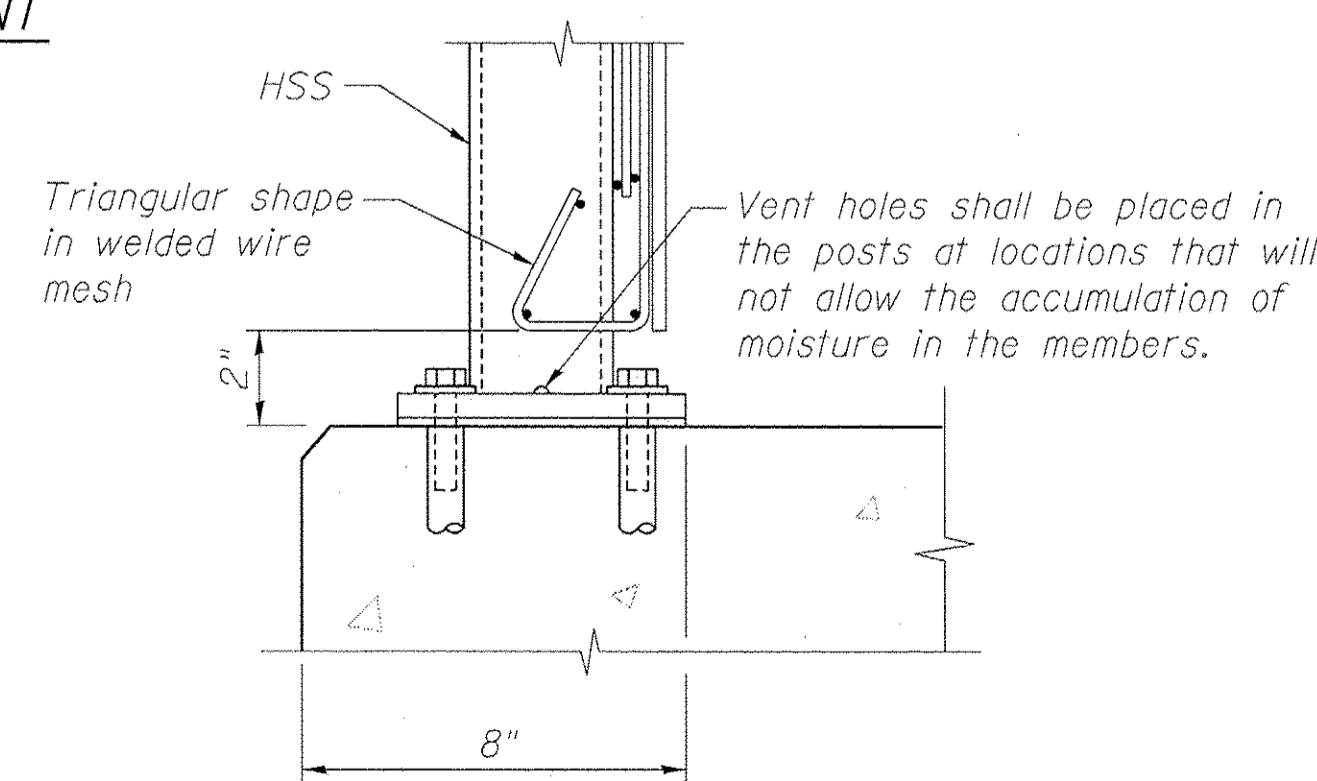
**HANDRAIL SPLICE**



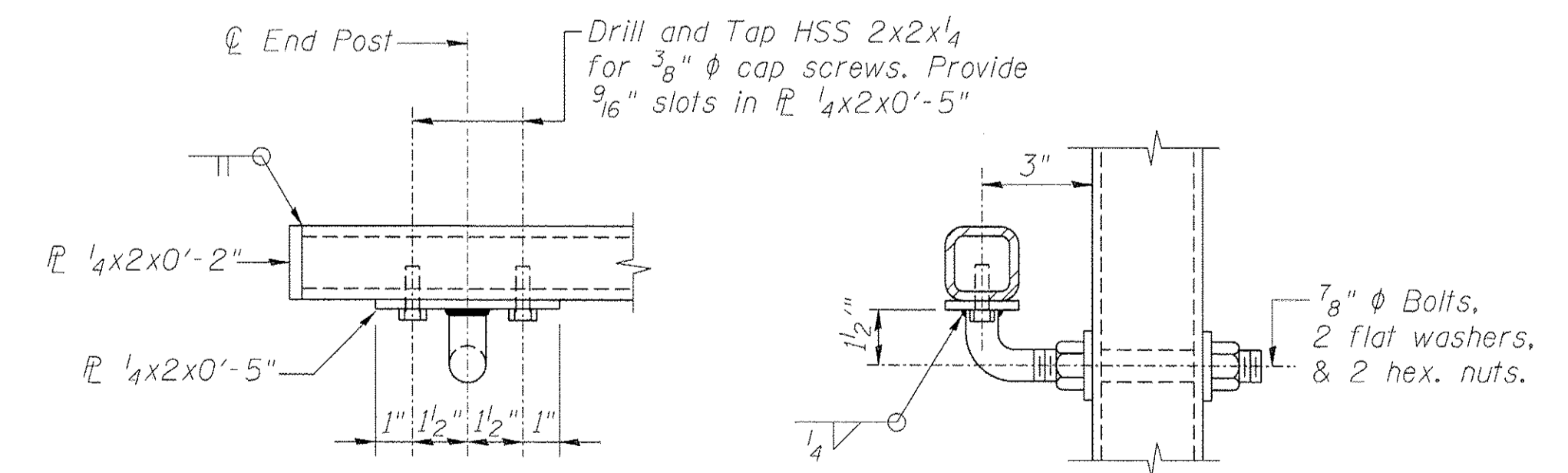
**DETAIL 2**

**DETAIL 3**

**DETAIL 4**



**DETAIL 1**



**HANDRAIL DETAIL**



Alfred Benesch & Company  
205 North Michigan Avenue, Suite 2400  
Chicago, Illinois 60601  
312-565-0450 Job No. 10055.02

FILE NAME =  
0166953\_021\_Rail1D1s.dgn

USER NAME = eship  
DESIGNED - MFB  
CHECKED - EFS  
DRAWN - RMG  
PLOT SCALE =  
PLOT DATE = 2/19/2013  
CHECKED - EFS

REVISOR -  
REVISOR -  
REVISOR -  
REVISOR -

**STATE OF ILLINOIS**  
**DEPARTMENT OF TRANSPORTATION**

**BICYCLE RAILING AND PARAPET RAILING DETAILS 1 OF 2**  
**STRUCTURE NO. 016-6953 BRIDGE ST. OVER THE NORTH SHORE CHANNEL**

SHEET NO. S21 OF S50 SHEETS

F.A.I. RTE.	SECTION	COUNTY	TOTAL SHEETS	SHEET NO.
	08-00251-00-BR	COOK	118	74
CONTRACT NO. 63817			ILLINOIS FED. AID PROJECT	

X:\100005\100055\_02\Eng\_Docs\_Phase\_II\Bridge\_Street\_016-6953\Final\0166953\_021\_Rail1D1s.dgn 2:50:55 PM 2/19/2013