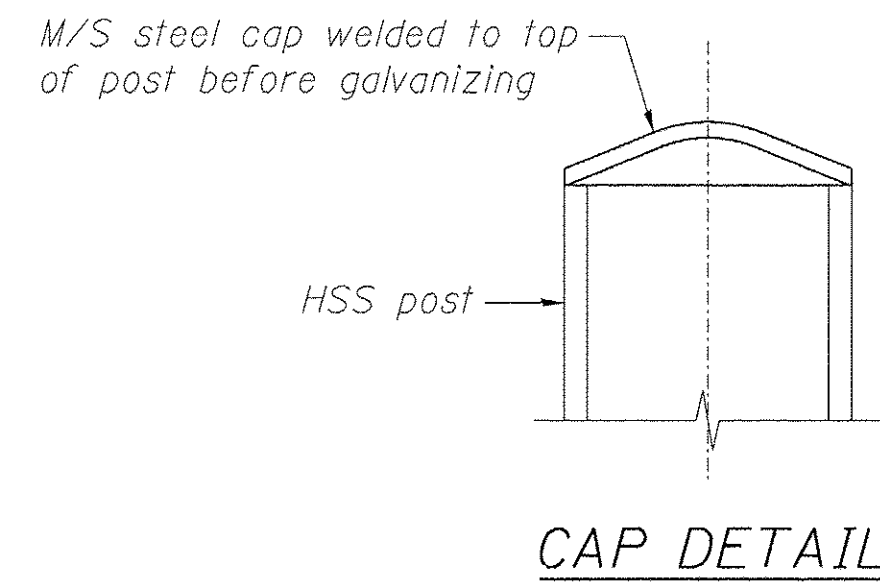
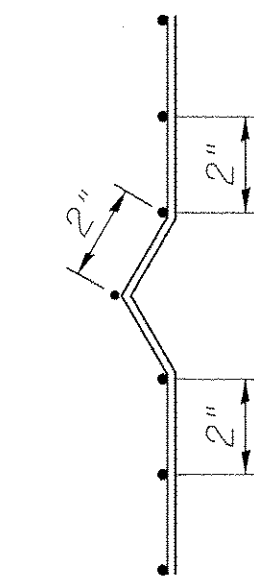


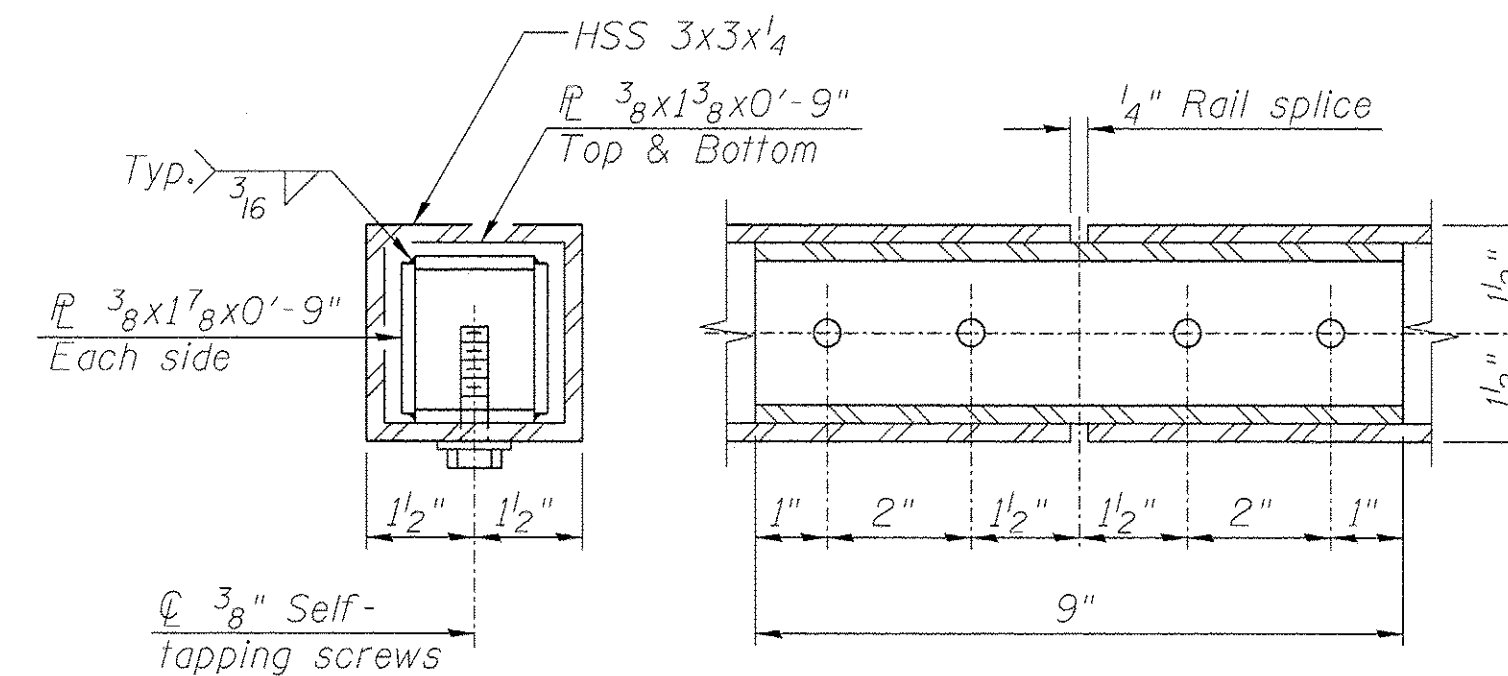
WELDED WIRE MESH PANEL



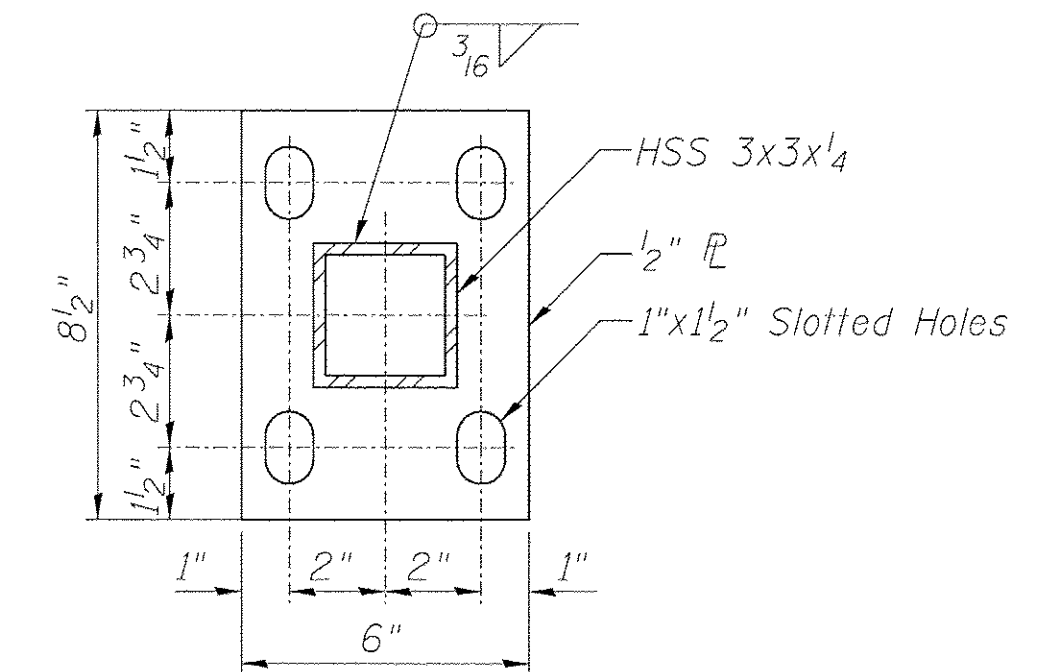
CAP DETAIL



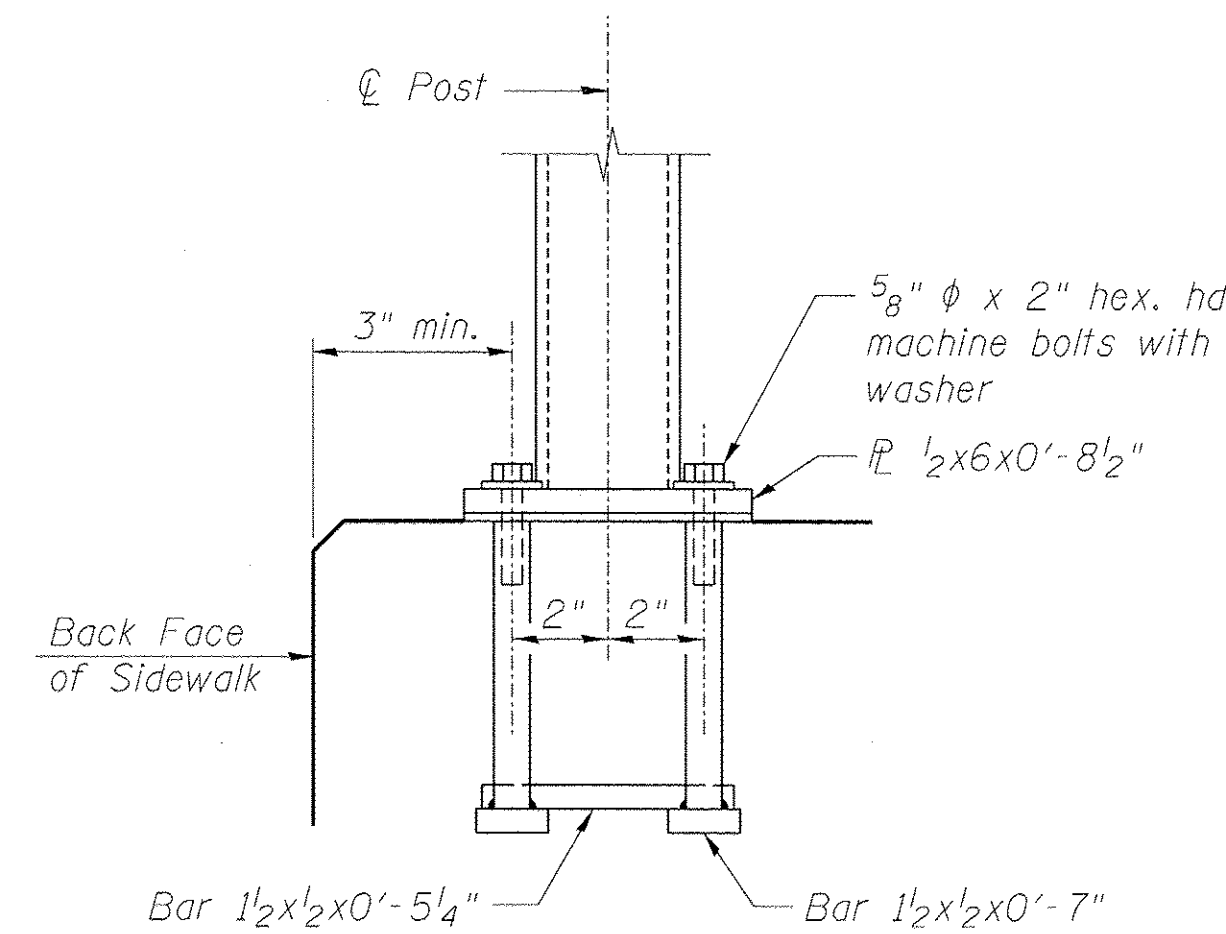
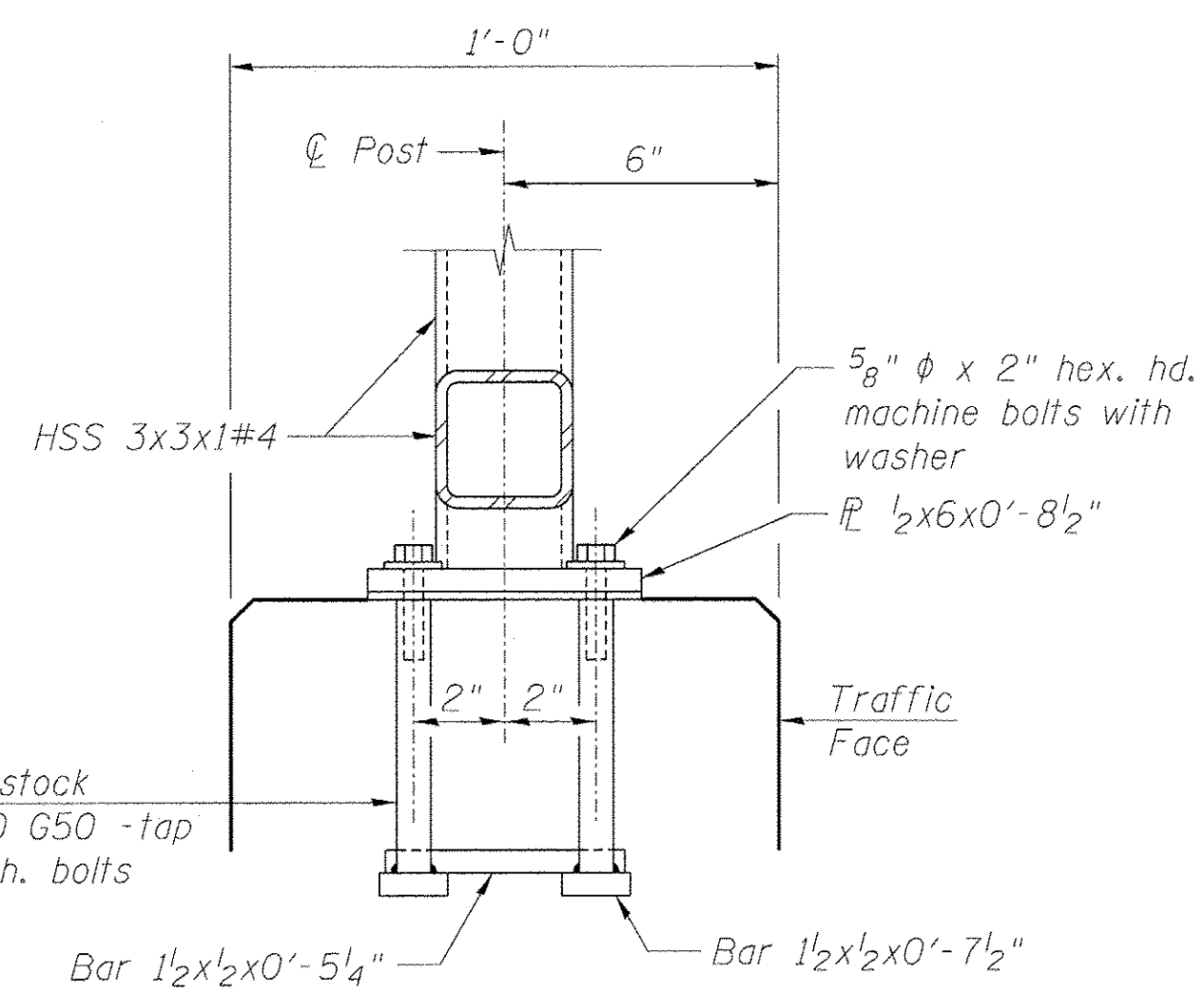
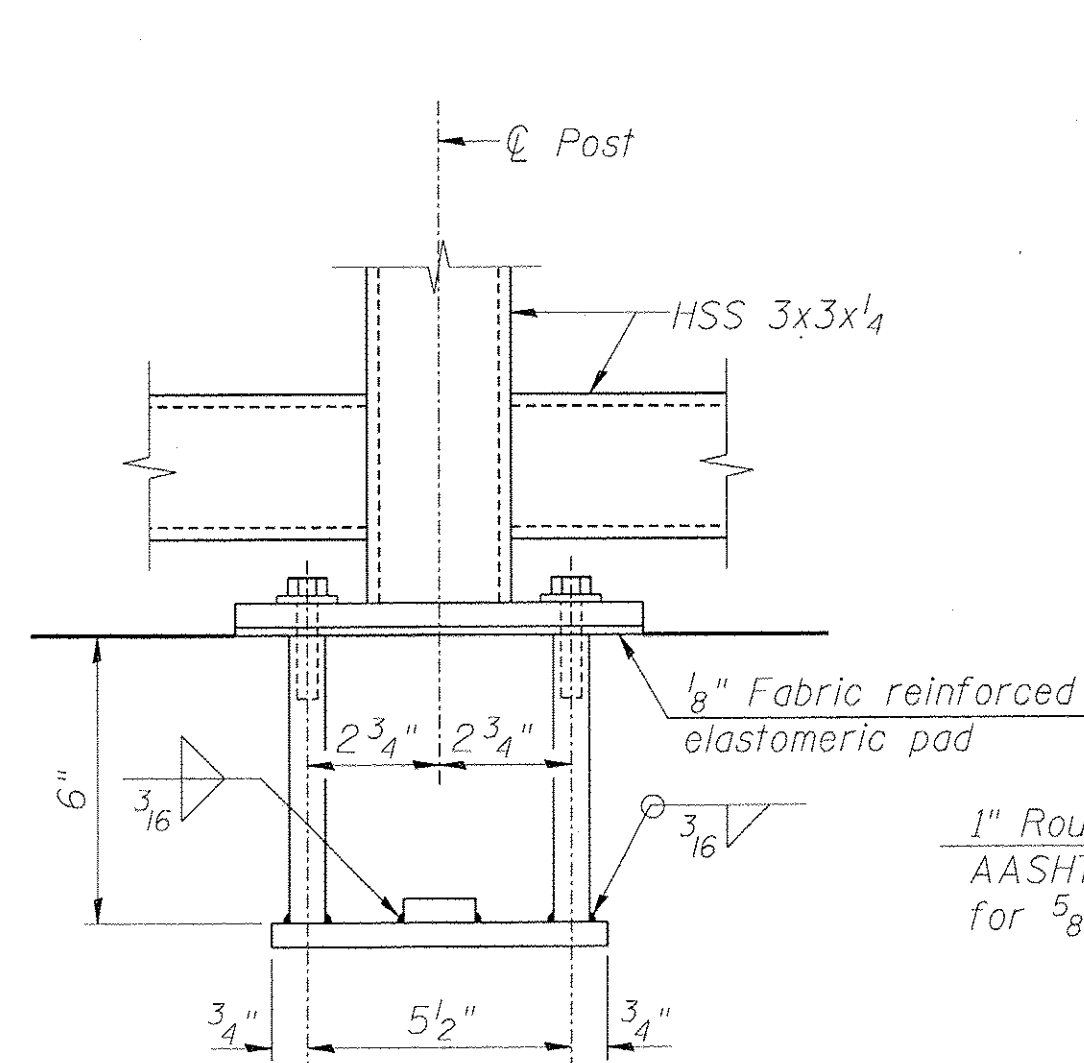
**DETAIL 5
(Bend Detail)**



RAIL SPLICE



BASE PLATE



ANCHOR BOLT DETAILS

In lieu of the cast-in-place anchor device shown, the Contractor has the option of drilling and setting 5/8" phi anchor rods according to Article 509.06 of the Standard Specifications. Embedment shall be according to the manufacturer's specifications.

BILL OF MATERIAL

ITEM	UNIT	STAGE I	STAGE II	TOTAL
Bicycle Railing	Foot	204	204	408
Parapet Railing	Foot	170	170	340

NOTES:

- All steel rail elements shall be galvanized and powder coated per the Special Provision for "Bicycle Railing and Parapet Railing".
- Posts for Bicycle Railing shall be spaced at a maximum spacing of 6'-0" and shall not be spaced closer than 6" to a joint.
- Work this sheet with sheet S21.

benesch
engineers · scientists · planners
Alfred Benesch & Company
205 North Michigan Avenue, Suite 2400
Chicago, Illinois 60601
312-565-0450 Job No. 10055.02

FILE NAME =	USER NAME = eship	DESIGNED - MFB	REVISED -
0166953.022.Rev10.tls.dgn		CHECKED - EFS	REVISED -
	PLOT SCALE =	DRAWN - RMG	REVISED -
	PLOT DATE = 2/19/2013	CHECKED - EFS	REVISED -

**STATE OF ILLINOIS
DEPARTMENT OF TRANSPORTATION**

**BICYCLE RAILING AND PARAPET RAILING DETAILS 2 OF 2
STRUCTURE NO. 016-6953 BRIDGE ST. OVER THE NORTH SHORE CHANNEL**

SHEET NO. S22 OF S50 SHEETS

F.A.I. RTE.	SECTION	COUNTY	TOTAL SHEETS	SHEET NO.
	08-00251-00-BR	COOK	118	75
ILLINOIS FED. AID PROJECT			CONTRACT NO. 63817	

X:\100005\10055.02\Eng_Docs_Phase_II\XBridge_Street_016-6953\Final\0166953_022.Rev10.tls.dgn 2:50:57 PM 2/19/2013