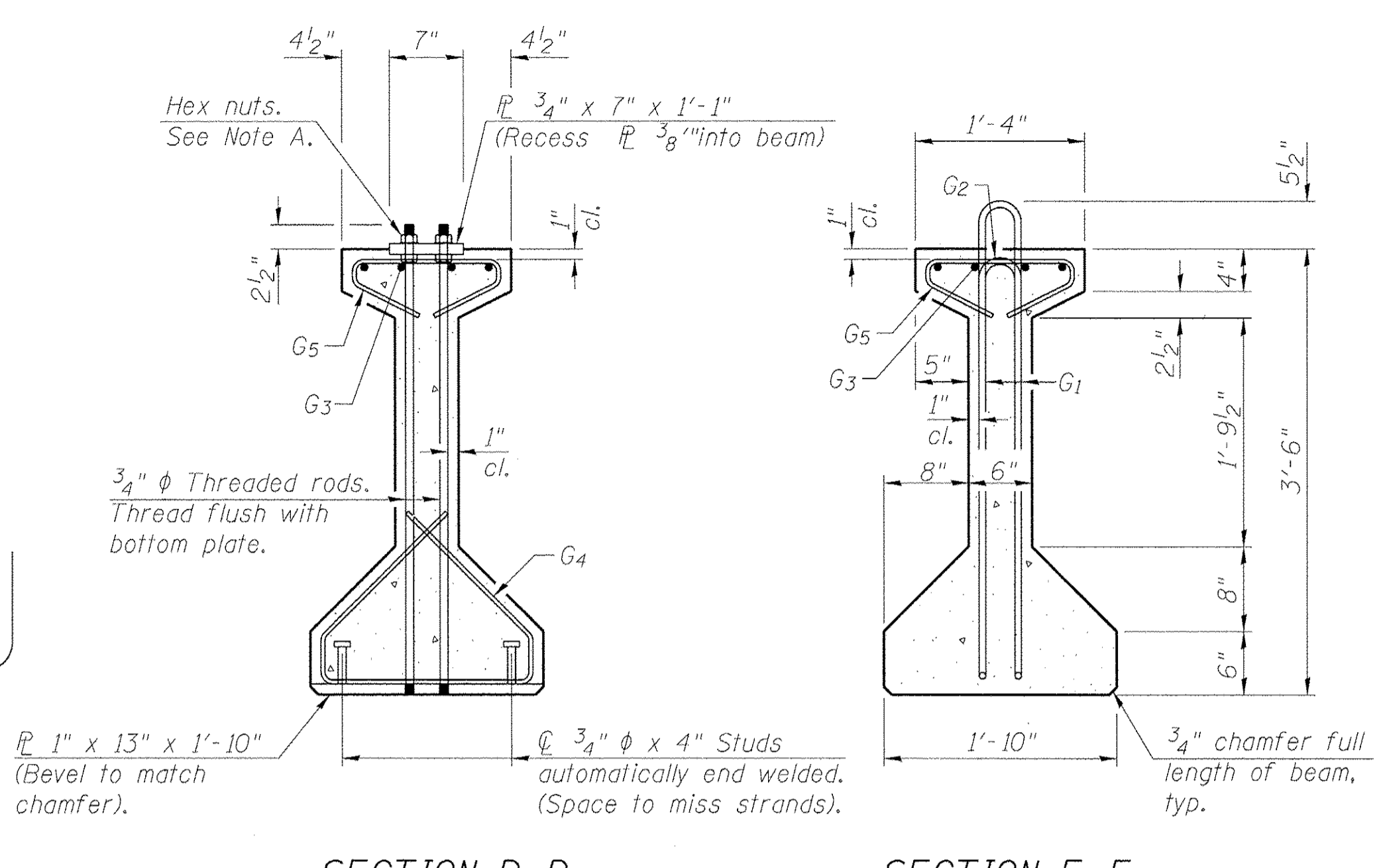


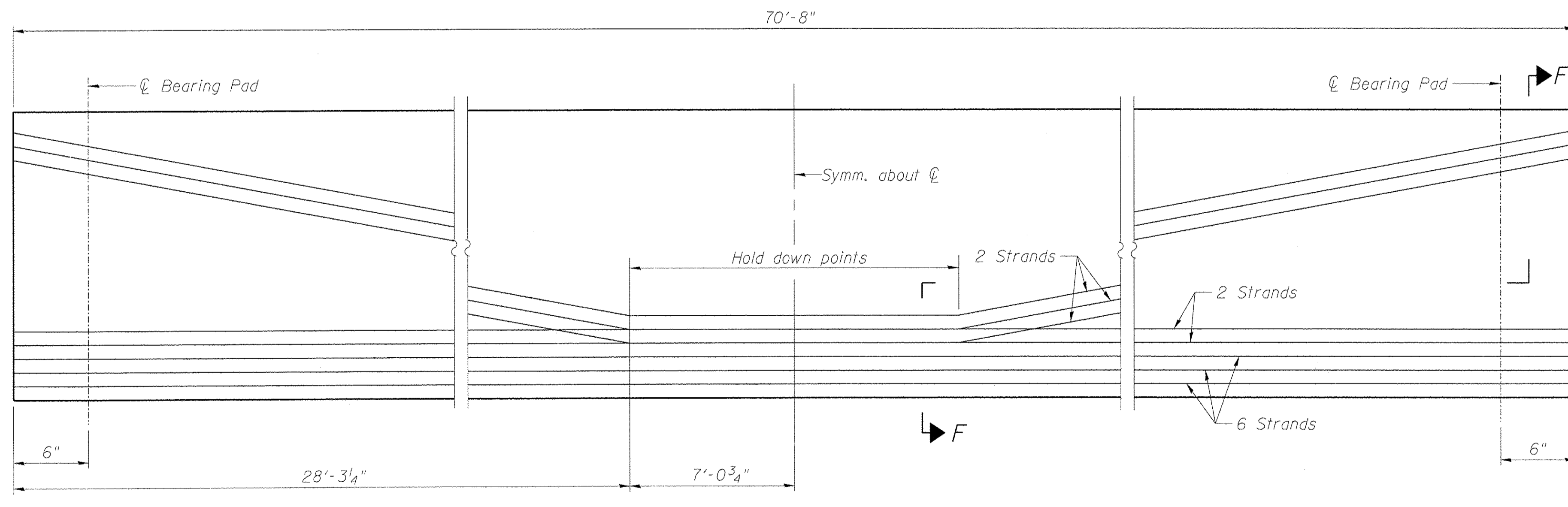
ELEVATION OF BEAM
(Showing reinforcement & dimensions)



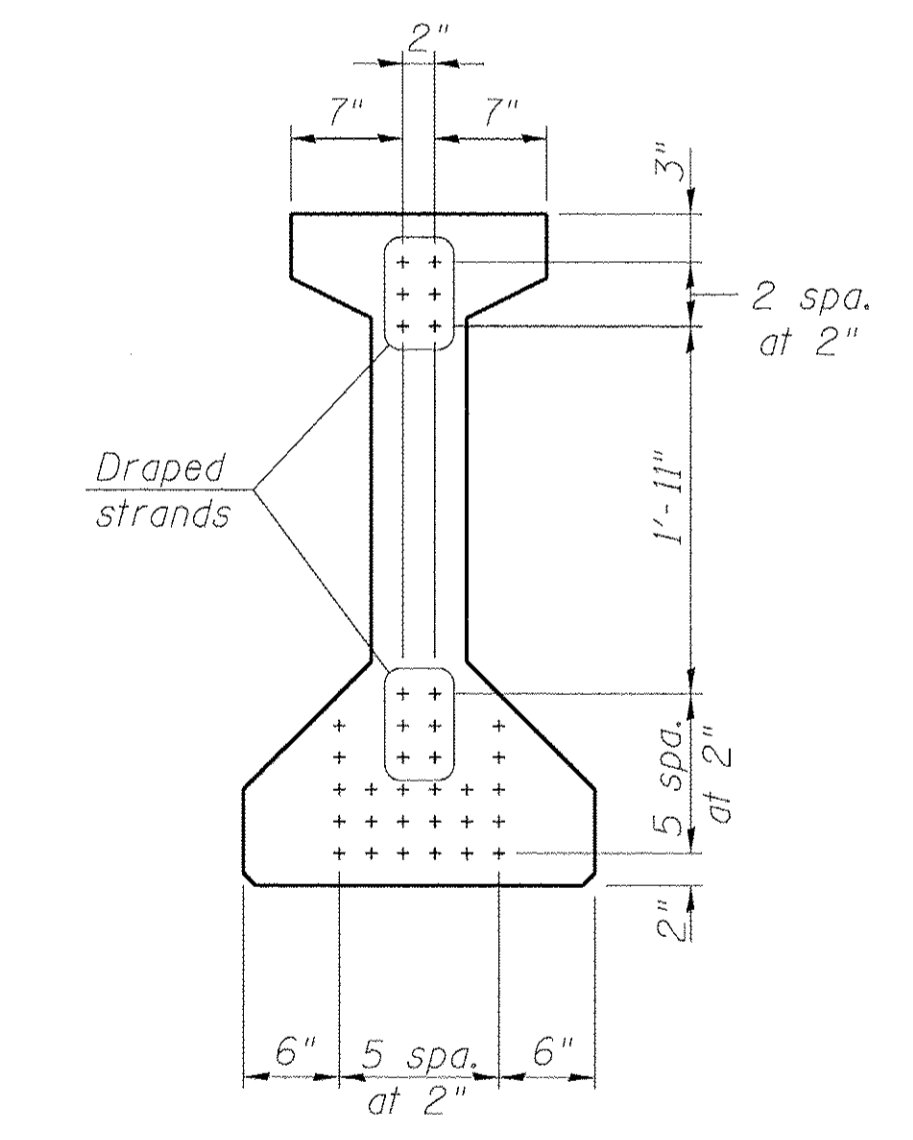
SECTION D-D **SECTION E-E**

Note A:
Hex nuts (top and bottom) with lock washers (top). Only tighten sufficiently to compress lock washers.

*3 spaces at 3" = 9"
**4-3/4" diameter threaded dowel rods at 3" cts., Each Face



ELEVATION OF BEAM
(Showing prestressing steel)



SECTION F-F

*****BAR LIST**
ONE BEAM ONLY

Bar	No.	Size	Length	Shape
G ₁	109	#4	8'-7"	∩
G ₂	10	#4	6'-8"	∩
G ₃	12	#6	25'-6"	—
G ₄	38	#3	4'-11"	∩
G ₅	71	#3	2'-6"	∩
G ₆	4	#8	6'-6"	∩

***For information only

NOTES:

- See sheet S26 for additional details and Bill of Material.
- Required release strength, f'ci, shall be 5,000 psi.
- Required final strength, f'c, shall be 6,000 psi.

benesch
engineers · scientists · planners
Alfred Benesch & Company
205 North Michigan Avenue, Suite 2400
Chicago, Illinois 60601
312-565-0450 Job No. 10055.02

FILE NAME =	USER NAME = eship	DESIGNED - MJF/MFB	REVISED -
0166953_025_PPCDet2.dgn		CHECKED - AAY	REVISED -
	PLOT SCALE =	DRAWN - RMG	REVISED -
	PLOT DATE = 2/19/2013	CHECKED - JHC	REVISED -

STATE OF ILLINOIS
DEPARTMENT OF TRANSPORTATION

42" PPC I-BEAM - SPAN 2
STRUCTURE NO. 016-6953 BRIDGE ST. OVER THE NORTH SHORE CHANNEL
SHEET NO. S25 OF S50 SHEETS

F.A.I. RTE.	SECTION	COUNTY	TOTAL SHEETS	SHEET NO.
	08-00251-00-BR	COOK	118	78
CONTRACT NO. 63817			ILLINOIS FED. AID PROJECT	

X:\100005\10055.02\Eng_Docs_Phase.II\Bridg-Stre-016-6953\Final\0166953_025_PPCDet2.dgn 2/19/2013 2:51:02 PM