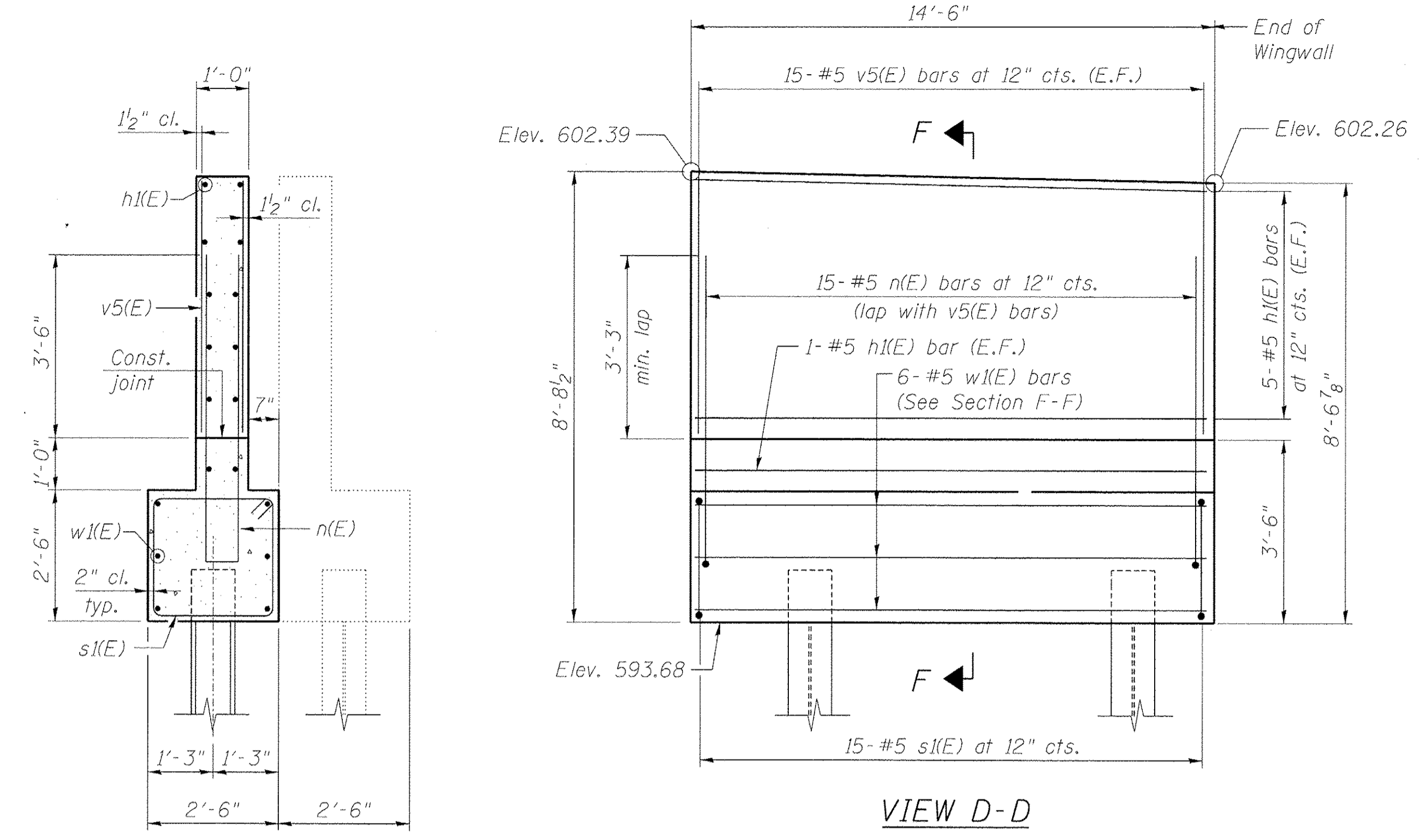


SECTION E-E

VIEW C-C



SECTION F-F

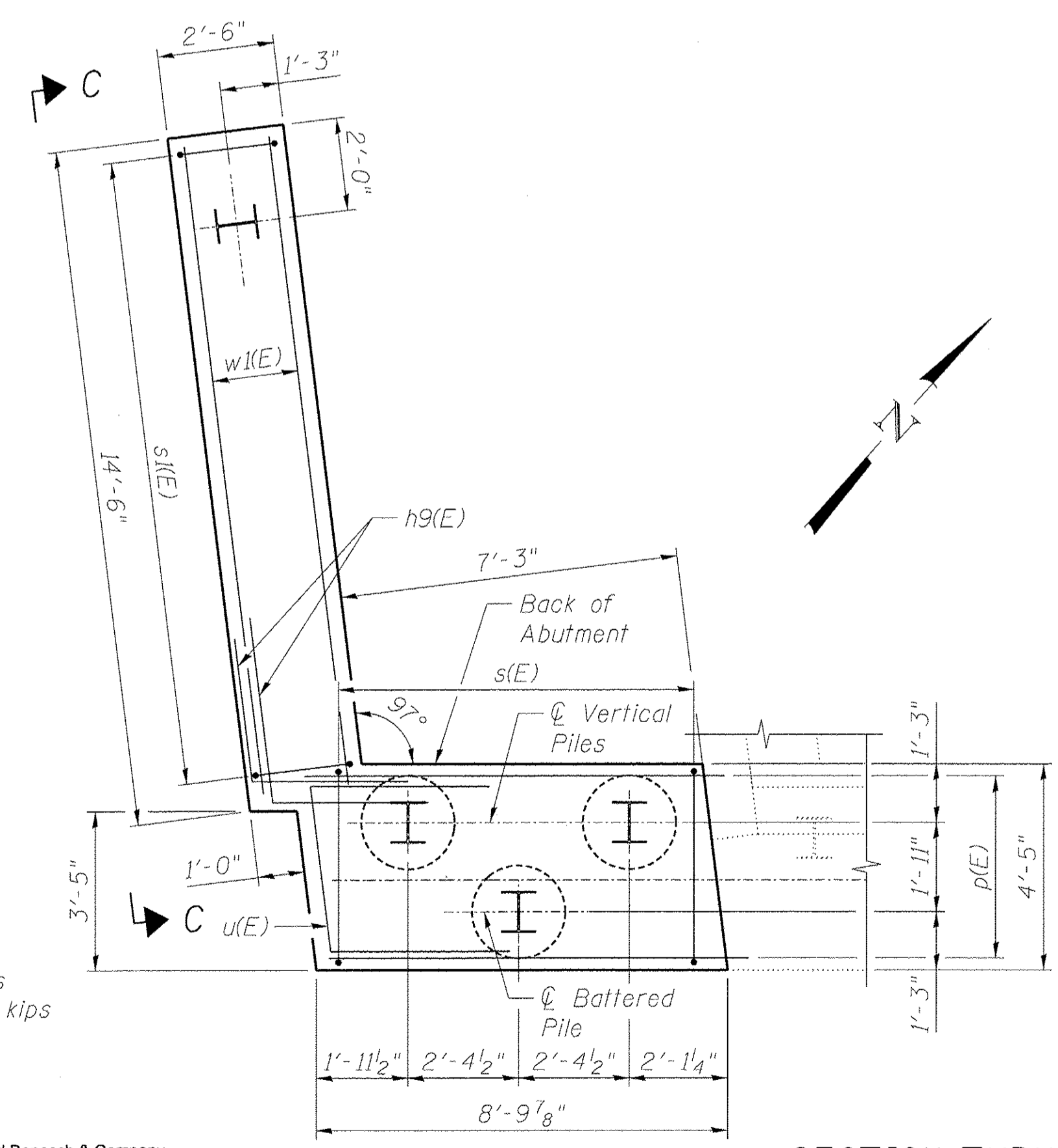
VIEW D-D

WEST ABUTMENT
BILL OF MATERIAL
(Stage I)

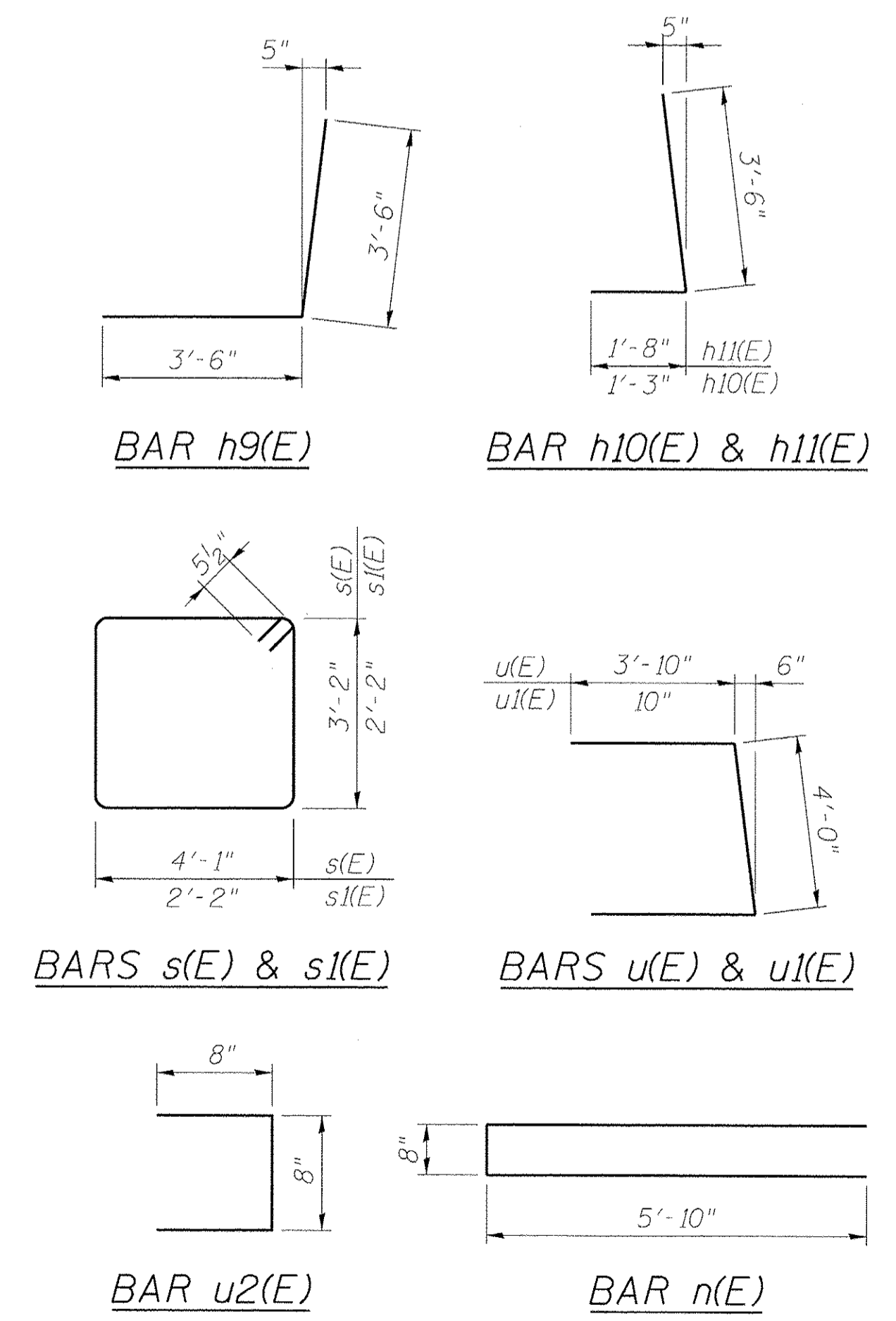
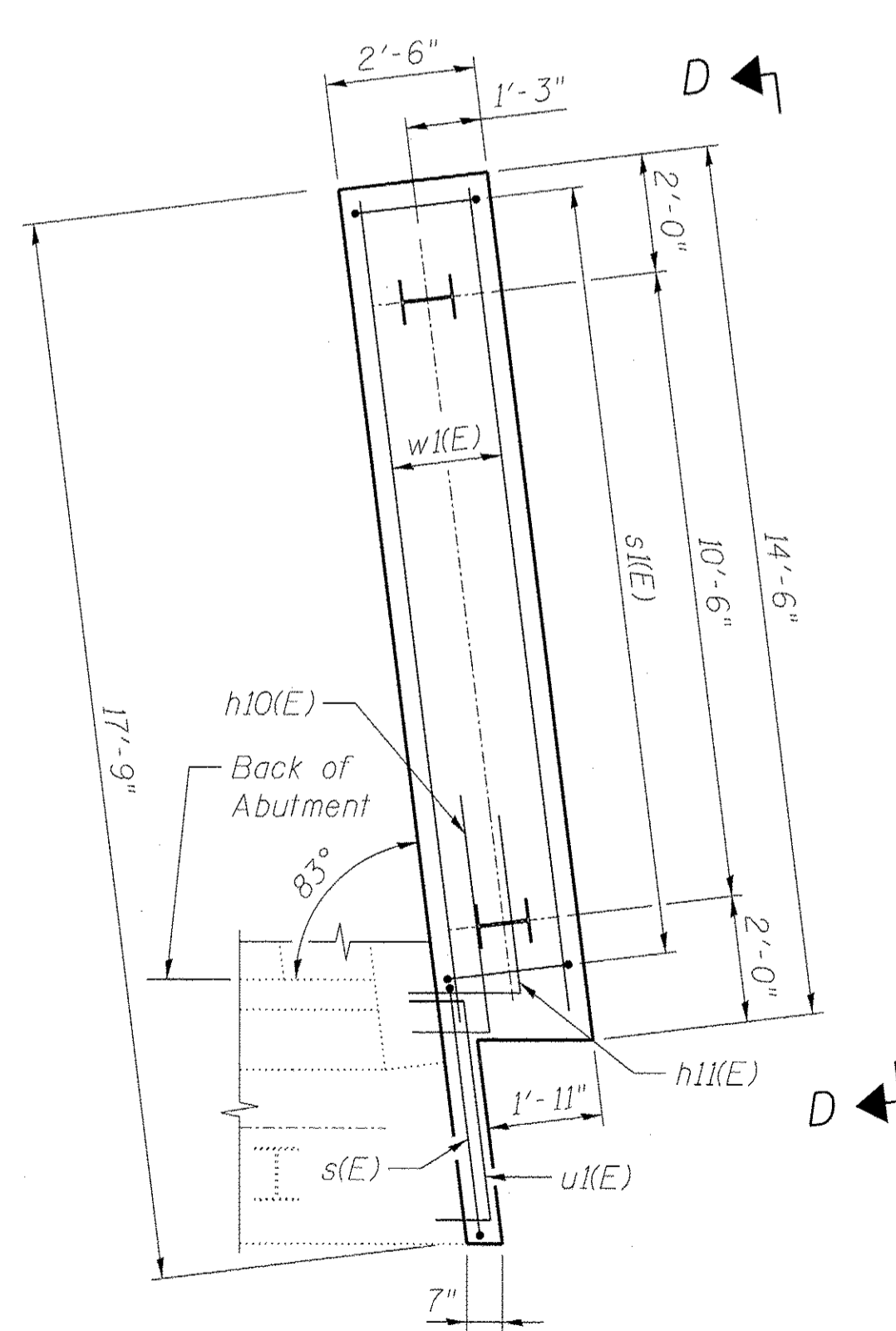
| Bar | No. | Size | Length | Shape |
|----------------------------------|-----|---------|--------|-------|
| h(E) | 2 | #5 | 22'-2" | — |
| h1(E) | 12 | #5 | 14'-2" | — |
| h9(E) | 6 | #5 | 7'-0" | J |
| n(E) | 15 | #5 | 12'-4" | — |
| p(E) | 8 | #7 | 9'-0" | — |
| s(E) | 8 | #5 | 15'-5" | □ |
| s1(E) | 15 | #5 | 9'-7" | □ |
| u(E) | 4 | #6 | 11'-8" | J |
| u2(E) | 24 | #4 | 2'-0" | J |
| v5(E) | 30 | #5 | 4'-9" | — |
| w1(E) | 6 | #5 | 14'-2" | — |
| Structure Excavation | | Cu. Yd. | 87 | |
| Concrete Structures | | Cu. Yd. | 13.2 | |
| Reinforcement Bars, Epoxy Coated | | Pound | 1,230 | |
| Furnishing Steel Piles HP10x42 | | Foot | 195 | |
| Driving Steel Piles | | Foot | 195 | |
| Test Pile Steel HP10x42 | | Each | 1 | |
| Concrete Encasement | | Cu. Yd. | 1.1 | |
| Granular Backfill for Structures | | Cu. Yd. | 87 | |

WEST ABUTMENT
BILL OF MATERIAL
(Stage II)

| Bar | No. | Size | Length | Shape |
|----------------------------------|-----|---------|---------|-------|
| h1(E) | 12 | #5 | 14'-2" | — |
| h3(E) | 2 | #5 | 26'-10" | — |
| h10(E) | 3 | #5 | 4'-9" | J |
| h11(E) | 3 | #5 | 5'-2" | J |
| n(E) | 15 | #5 | 12'-4" | — |
| s(E) | 1 | #5 | 15'-5" | □ |
| s1(E) | 15 | #5 | 9'-7" | □ |
| u1(E) | 4 | #6 | 5'-8" | J |
| u2(E) | 28 | #4 | 2'-0" | J |
| v5(E) | 30 | #5 | 4'-9" | — |
| w1(E) | 6 | #5 | 14'-2" | — |
| Structure Excavation | | Cu. Yd. | 72 | |
| Concrete Structures | | Cu. Yd. | 8.7 | |
| Reinforcement Bars, Epoxy Coated | | Pound | 940 | |
| Furnishing Steel Piles HP10x42 | | Foot | 130 | |
| Driving Steel Piles | | Foot | 130 | |
| Granular Backfill for Structures | | Cu. Yd. | 72 | |



SECTION THRU PILE CAP



PILE DATA

Type: HP10x42
Nominal Required Bearing: 232 kips
Factored Resistance Available: 128 kips
Est. Length: 65 ft.
No. Production Piles: 5
No. Test Piles: 1

benesch engineers · scientists · planners
Alfred Benesch & Company
205 North Michigan Avenue, Suite 2400
Chicago, Illinois 60601
312-565-0450 Job No. 10055.02

| | | | |
|--------------------------|-------------------|--------------------|-----------|
| FILE NAME = | USER NAME = oship | DESIGNED - MJF/MFB | REVISED - |
| 0166953_030_AbutDet4.dgn | | CHECKED - EFS | REVISED - |
| | | DRAWN - RMG | REVISED - |
| | | CHECKED - EFS | REVISED - |
| | | | |

STATE OF ILLINOIS
DEPARTMENT OF TRANSPORTATION

WEST ABUTMENT WIDENING DETAILS 2 OF 2
STRUCTURE NO. 016-6953 BRIDGE ST. OVER THE NORTH SHORE CHANNEL
SHEET NO. 530 OF 550 SHEETS

| | | | | |
|--------------------|----------------|--------|---------------------------|-----------|
| F.A.I. RTE. | SECTION | COUNTY | TOTAL SHEETS | SHEET NO. |
| | 08-00251-00-BR | COOK | 118 | 83 |
| CONTRACT NO. 63817 | | | ILLINOIS FED. AID PROJECT | |

X:\100005\10055.02\Eng_Docs_Phase_II\Bridge_St-reet_016-6953\Final\0166953_030_AbutDet4.dgn 2:51:10 PM