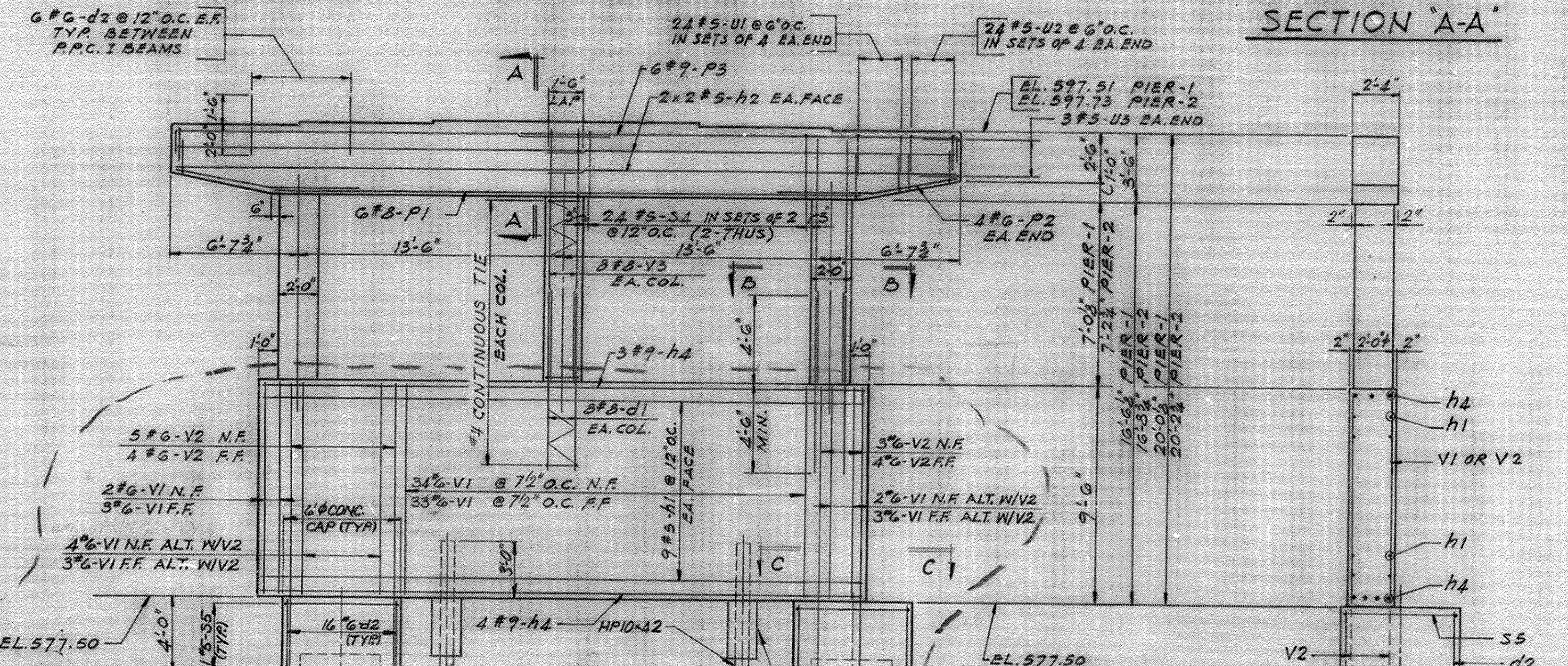


**BILL OF MATERIAL**

BAR	NUMBER REQ'D. PIER-1	REQ'D. PIER-2	SIZE	LENGTH	SHAPE
h1	18	18	#5	30'-8"	—
h2	8	8	#5	20'-7"	—
h4	7	7	#9	30'-8"	—
h5	—	14	#6	2'-8"	—
h6	—	8	#6	5'-6"	—
P1	6	6	#8	30'-0"	—
P2	8	8	#6	7'-5"	—
P3	12	12	#9	24'-0"	—
S3	33	3	#2	11'-6"	WM
S4	43	48	#5	10'-4"	□
S5	7	—	#5	3'-9"	WM
U1	48	48	#5	6'-3"	U
U2	48	48	#5	5'-3"	U
U3	6	6	#5	5'-0"	U
d3	—	20	#6	5'-3"	U
V1	84	100	#6	9'-2"	—
V2	16	—	#6	13'-2"	—
V3	22	22	#8	10'-0"	—
d1	24	24	#8	9'-0"	—
d2	92	60	#6	3'-6"	—
ITEM				TOTAL	
REINFORCING BARS			LBS.	7860	7700
CLASS X CONCRETE			CU YDS.	47.5	43.1
STEEL PILES			HP10X42 LIN. FT.	350	476
STEEL TEST PILE			EACH	1	1



NOTES:  
 ALL BAR DIMENSIONS ARE OUT TO OUT.  
 ALL EDGES SHALL HAVE STANDARD 3/4" CHAMFERS, EXCEPT AS NOTED OTHERWISE.  
 BARS INDICATED THUS: 38 X 4 #5-B ETC., INDICATE 38 LINES OF BARS WITH 4 BAR LENGTHS PER LINE.

**PIER - 1**

PILE DATA

TYPE	HP10X42
CAPACITY	55 TON
EST. LENGTH	70 FT.
NO. REQUIRED	6*

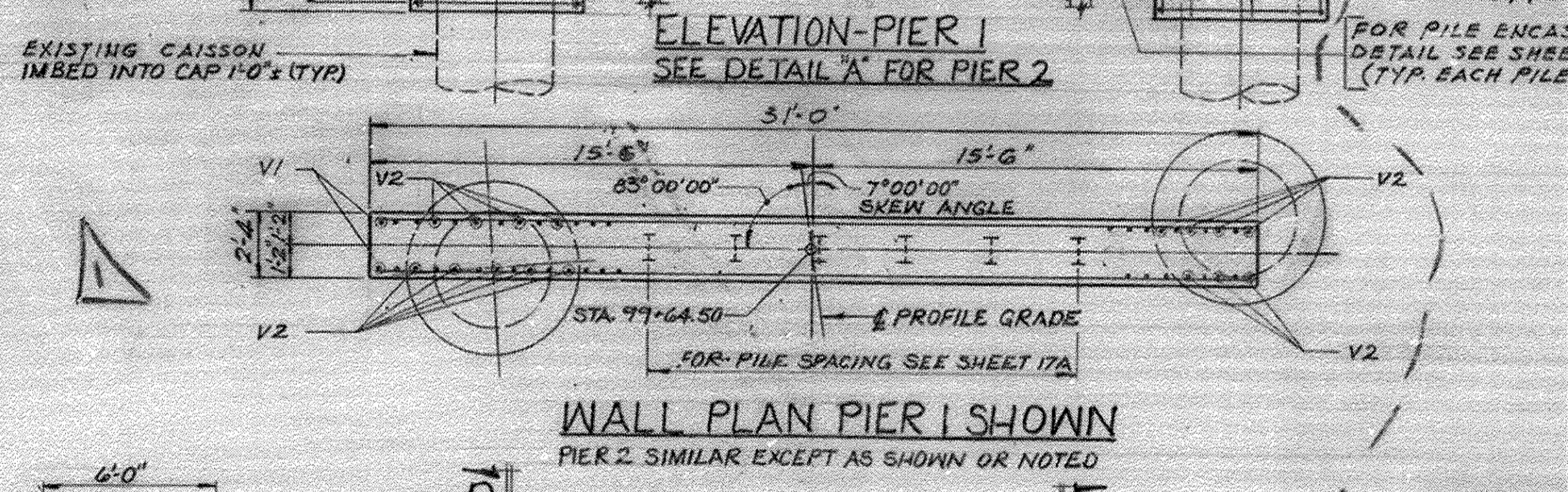
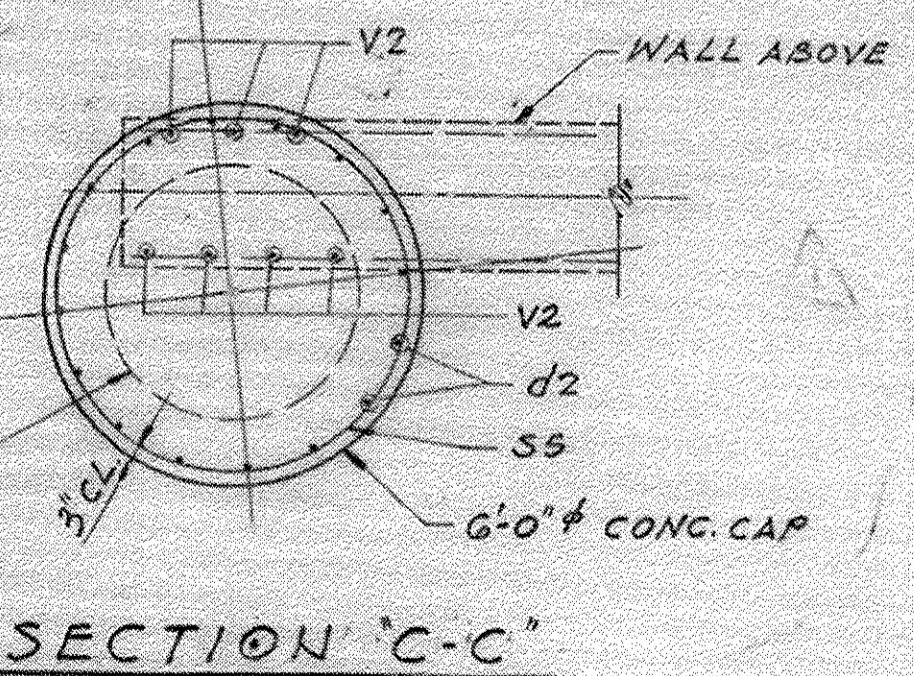
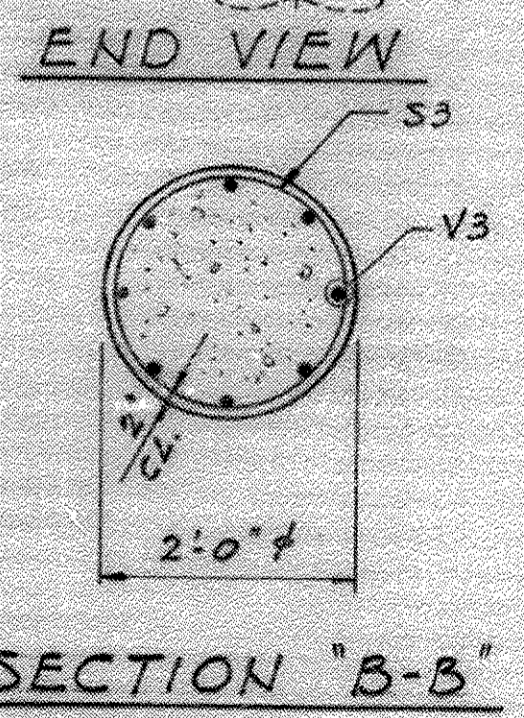
\*INCLUDES ONE TEST PILE

**PIER - 2**

PILE DATA

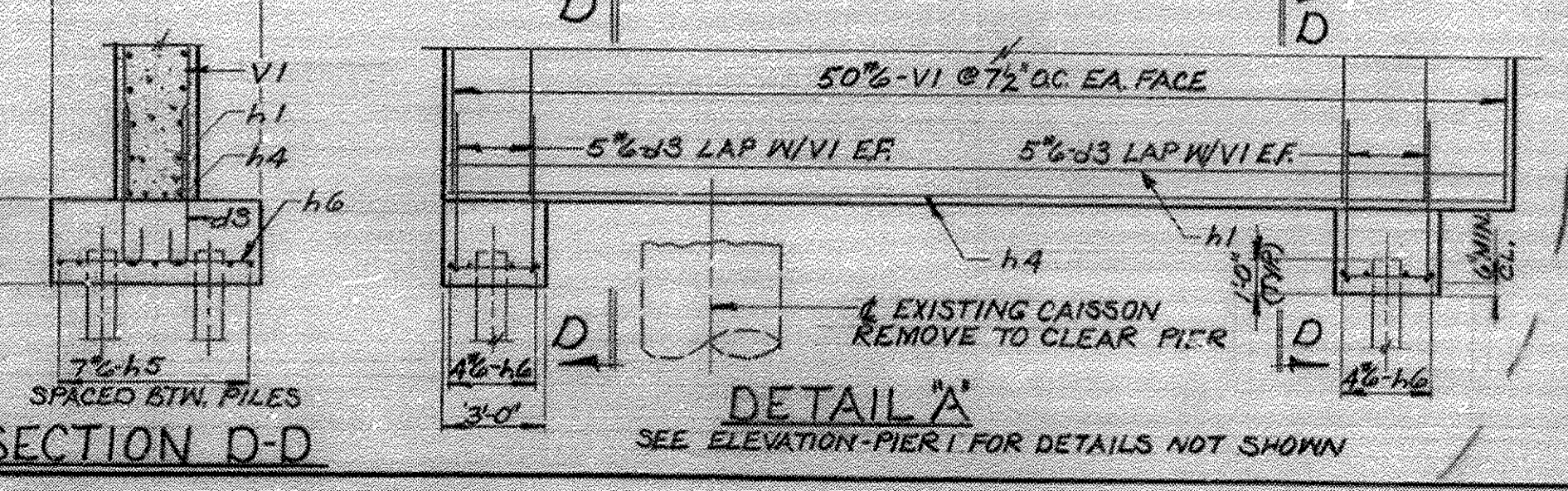
TYPE	HP10X42
CAPACITY	55 TON
EST. LENGTH	68 FT.
NO. REQUIRED	6*

\*INCLUDES ONE TEST PILE



**BRIDGE SEAT ELEVATIONS**

BEAM NO.	PIER-1	PIER-2
1	EL. 597.54	EL. 597.73
2	EL. 597.64	EL. 597.84
3	EL. 597.74	EL. 597.95
4	EL. 597.75	EL. 597.95
5	EL. 597.62	EL. 597.85
6	EL. 597.51	EL. 597.74



REVISION NOV. 28, 1978

ALFRED BENESCH & COMPANY  
 CONSULTING ENGINEERS  
 235 N. MICHIGAN AVE. CHICAGO, ILLINOIS

**PIERS 1 & 2**  
 BROWN AVE.  
 OVER NORTH SHORE CHANNEL  
 OF METROPOLITAN SANITARY DISTRICT  
 OF GREATER CHICAGO  
 EVANSTON, ILLINOIS  
 STATION 100+00.00

**benesch**  
 engineers • scientists • planners  
 Alfred Benesch & Company  
 205 North Michigan Avenue, Suite 2400  
 Chicago, Illinois 60601  
 312-565-0450 Job No. 10055.02

FILE NAME =	USER NAME = oshsp	DESIGNED - MJF	REVISED -
0166953.048_Exist9.dgn	PLOT SCALE =	CHECKED - EFS	REVISED -
	PLOT DATE = 2/19/2013	DRAWN - RMG	REVISED -
		CHECKED - EFS	REVISED -

STATE OF ILLINOIS  
 DEPARTMENT OF TRANSPORTATION

EXISTING DRAWING 9  
 STRUCTURE NO. 016-6953 BRIDGE ST. OVER THE NORTH SHORE CHANNEL  
 SHEET NO. 548 OF 550 SHEETS

F.A.I. RTE.	SECTION	COUNTY	TOTAL SHEETS	SHEET NO.
	08-00251-00-BR	COOK	118	101
				CONTRACT NO. 63817

(ILLINOIS) FED. AID PROJECT