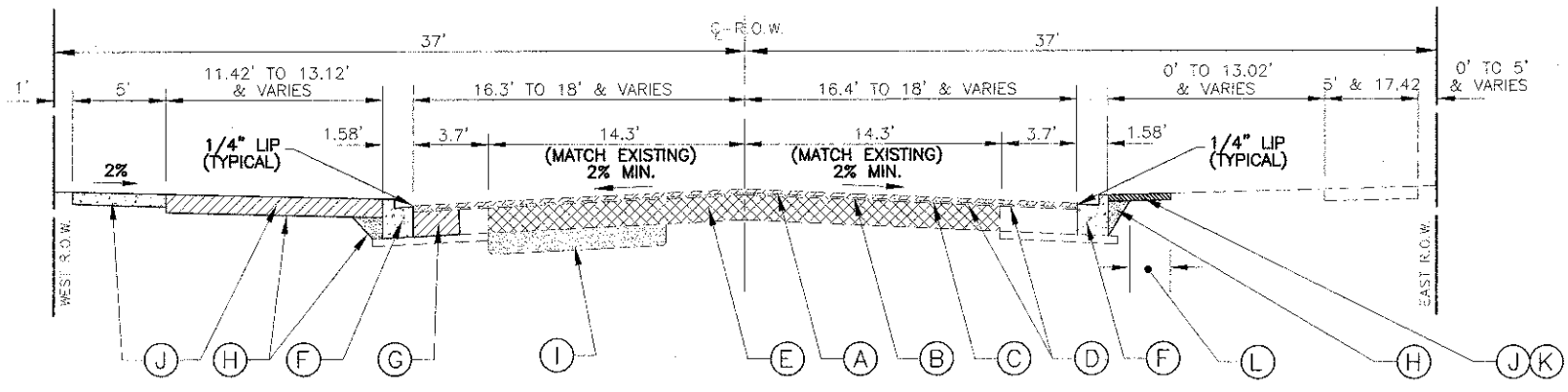


**EXISTING TYPICAL SECTION**  
 SOUTH OF 28th PLACE TO CERMAK ROAD  
 STA. 55+60 TO STA. 73+47  
 STA. 75+53 TO STA. 98+27



**PROPOSED TYPICAL SECTION**  
 SOUTH OF 28th PLACE TO CERMAK ROAD  
 STA. 55+60 TO STA. 73+47  
 STA. 75+53 TO STA. 98+27  
**EAST AVENUE**

**NOTE:**  
 ALL "AREA REFLECTIVE CRACK CONTROL TREATMENT"  
 SHALL HAVE A WEIGHT OF 6 OZ. PER SQUARE YARD.

**EXISTING LEGEND**

- (A) HOT-MIX ASPHALT SURFACE COURSE, 1 1/2"
- (B) HOT-MIX ASPHALT BINDER COURSE, 1 1/2"
- (C) LEVELING BINDER (1" AVG.)
- (D) HOT-MIX ASPHALT BASE COURSE WIDENING, 9"
- (E) POZZOLANIC BASE, 8"
- (F) SUBBASE GRANULAR MATERIAL, TYPE B, 4" TO REMAIN
- (G) COMBINATION CONCRETE CURB & GUTTER TYPE B-6.12
- (H) PORTLAND CEMENT CONCRETE DRIVEWAY, ALLEY RETURN, SIDEWALK, COURTESY WALK, CARRIAGE WALK, HOT-MIX ASPHALT SURFACE DRIVEWAY, AND GRASS PARKWAY
- (I) PROPOSED "HOT-MIX ASPHALT SURFACE REMOVAL, 3 INCH",  
 [Hatched pattern] INDICATES "HOT-MIX ASPHALT SURFACE REMOVAL, 3 INCH" ITEM
- NOTE:** SURFACE REMOVAL SHALL COMMENCE ONLY AFTER PLACEMENT OF "HOT-MIX ASPHALT BASE COURSE, 9 INCH" IN "PAVEMENT REMOVAL" AREA IS COMPLETED.
- (J) PROPOSED "PAVEMENT REMOVAL"  
 [Cross-hatched pattern] INDICATES "PAVEMENT REMOVAL" ITEM
- NOTE:** CONTRACTOR SHALL MILL BEFORE PATCHING.

**HOT-MIX ASPHALT MIXTURE REQUIREMENTS**

MIXTURE TYPE	AIR VOIDS @ NDES
<b>PAVEMENT RESURFACING</b>	
HOT-MIX ASPHALT SURFACE COURSE, MIX "D", N50, (IL-9.5mm), 2"	4% @ 50 GYR
LEVELING BINDER (MACHINE METHOD), N50, 1"	4% @ 50 GYR
<b>PAVEMENT RECONSTRUCTION</b>	
HOT-MIX ASPHALT BASE COURSE, (HMA BINDER IL-19 mm), 9"	4% @ 50 GYR
<b>PATCHING</b>	
CLASS D PATCH, (HMA BINDER IL-19 mm), 9" (IN 3 LIFTS)	4% @ 70 GYR

THE UNIT WEIGHT TO CALCULATE ALL HOT-MIX ASPHALT SURFACE MIXTURE QUANTITIES IS 112 LBS/SQ YD./IN.  
 "THE "AC TYPE" FOR POLYMERIZED HMA MIXES SHALL BE "SBS/SBR PG 76-22" AND FOR NON-POLYMERIZED HMA THE "AC TYPE" SHALL BE "PG 64-22" UNLESS MODIFIED BY DISTRICT ONE SPECIAL PROVISIONS"  
 FOR USE OF RECYCLED MATERIALS SEE SPECIAL PROVISIONS

**PROPOSED LEGEND**

- (A) "HOT-MIX ASPHALT SURFACE COURSE, MIX "D", N50", 2 INCH
- (B) "AREA REFLECTIVE CRACK CONTROL TREATMENT" (6 OZ.) BETWEEN LEVELING BINDER AND SURFACE COURSE
- (C) "LEVELING BINDER (MACHINE METHOD), N50," 1 INCH
- (D) "AGGREGATE (PRIME COAT)" AT A RATE OF 2 LBS/SY OVER "BITUMINOUS MATERIALS (PRIME COAT)" AT 0.10 GAL/S.Y.
- (E) "HOT-MIX ASPHALT BASE COURSE, 9 INCH", (IN 3 LIFTS)
- (F) "COMBINATION CURB AND GUTTER REMOVAL" AND "COMBINATION CONCRETE CURB AND GUTTER, TYPE B-6.12" AS SHOWN ON PLANS AND CONSTRUCTED ADJACENT TO EXISTING HOT-MIX ASPHALT BASE COURSE WIDENING, 9"
- (G) "CLASS D PATCHES, TYPE I-IV, 9 INCH"- (IN 3 LIFTS) AS DIRECTED AT LOCATIONS BY THE ENGINEER
- (H) "COARSE AGGREGATE" BACKFILL AND AS REQUIRED
- (I) "AGGREGATE SUBGRADE IMPROVEMENT" AND "REMOVAL AND DISPOSAL OF UNSUITABLE MATERIAL"- AS DIRECTED AT LOCATIONS BY THE ENGINEER  
**AS APPLICABLE**
- (J) "SIDEWALK REMOVAL" AND "PORTLAND CEMENT CONCRETE SIDEWALK, 5 INCH" OR "DRIVEWAY PAVEMENT REMOVAL" AND REPLACEMENT WITH "PORTLAND CEMENT CONCRETE DRIVEWAY PAVEMENT, 7 INCH" OR "PAVEMENT REMOVAL" AND "PORTLAND CEMENT CONCRETE PAVEMENT, 8 INCH" AS SHOWN ON PLANS
- (K) "SODDING, SALT TOLERANT" AND "TOPSOIL FURNISH AND PLACE, 4 INCH" (2' WIDTH MAX.)
- (L) "SOD STRIPPING, 2 INCH DEPTH" (1.5' WIDTH MAX.)

**IMPORTANT!**  
 FULL SIZE PLANS HAVE BEEN PREPARED USING STANDARD ENGINEERING SCALES. REDUCED SIZED PLANS WILL NOT CONFORM TO STANDARD SCALES INDICATED IN TITLE BLOCK.

**Frank Novotny & Associates, Inc.**  
 825 Midway Drive • Wheeling, IL • 60097 • Telephone (815) 887-9840 • Fax (815) 887-0129  
 ILLINOIS PROFESSIONAL DESIGN FIRM NO. 194-000005

FILE NAME	CITY OF BERWYN EAST AVENUE 31st STREET TO CERMAK ROAD RESURFACING	USER NAME	DESIGNED - AMS DRAWN - JHP CHECKED - JFP DATE - 2-1-13	REVISED - JEF 3-13-13 REVISED - JEF 4-5-13 REVISED - REVISED -
-----------	--	-----------	---	---

**STATE OF ILLINOIS  
 DEPARTMENT OF TRANSPORTATION**

<b>TYPICAL SECTIONS &amp; HOT-MIX ASPHALT MIXTURE REQUIREMENTS</b>	
SCALE: 1"=5'	SHEET NO. OF SHEETS
STA. TO STA.	

F.A.U. NO. 2779	SECTION 09-00167-00-RS	COUNTY COOK	TOTAL SHEETS 31	SHEET NO. 7
FED. ROAD DIST. NO.		ILLINOIS FED. AID PROJECT	M-4003(087)	
CONTRACT NO. 63837				