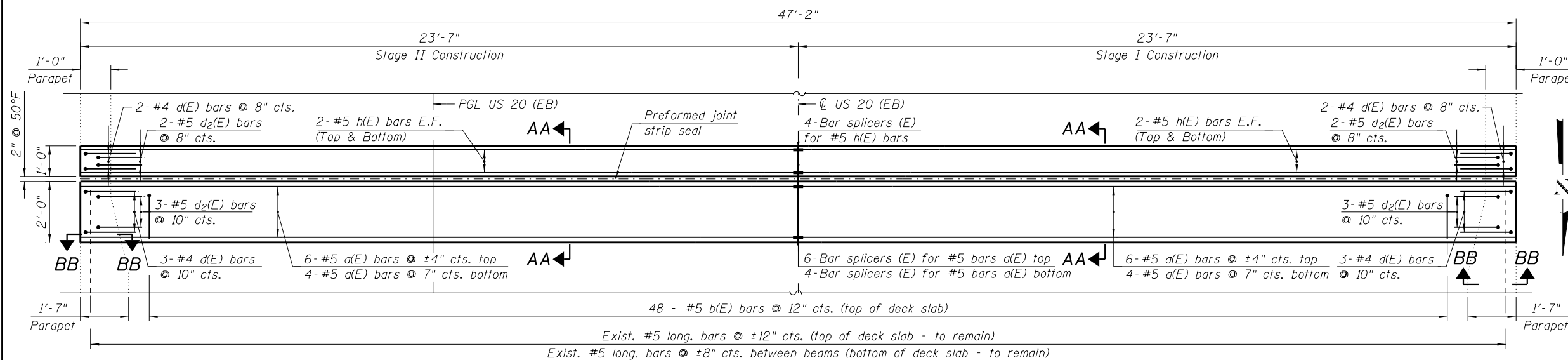
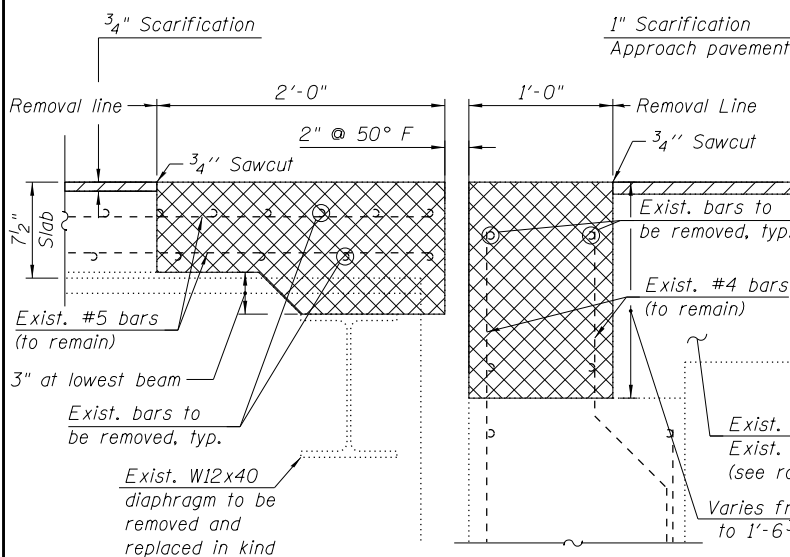


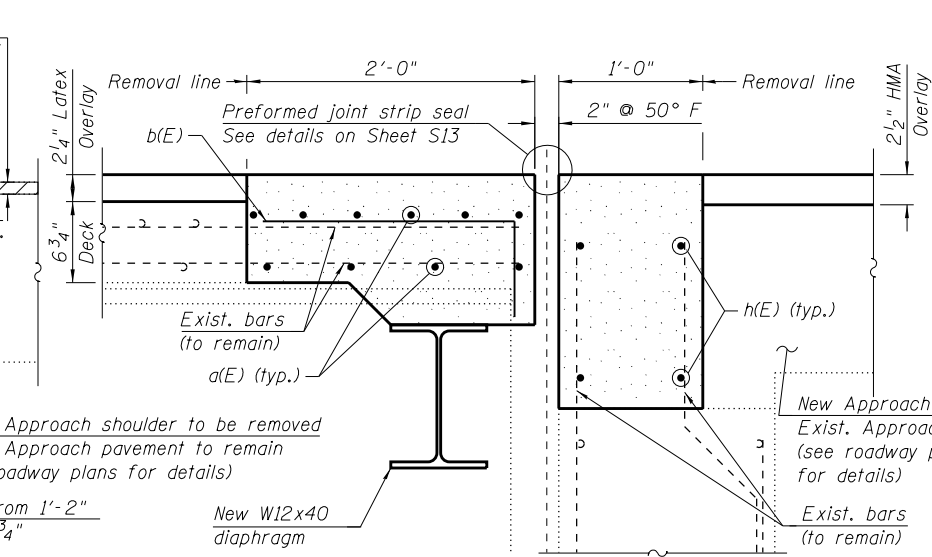
SOUTH ABUTMENT JOINT REMOVAL PLAN



SOUTH ABUTMENT JOINT REPLACEMENT PLAN

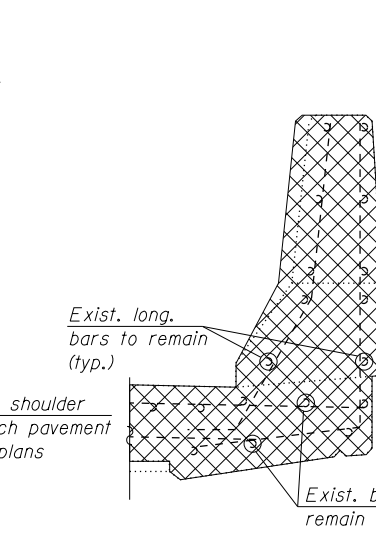


SECTION A-A



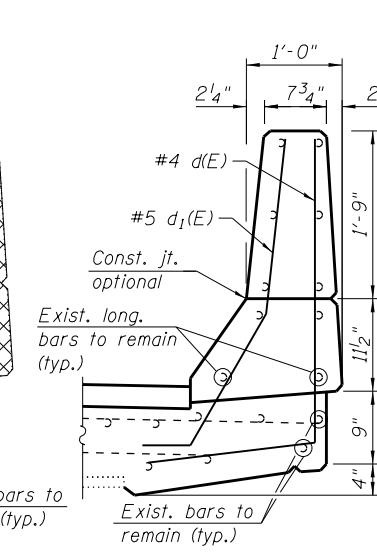
SECTION AA-AA

(End of beam repairs are not shown for clarity)



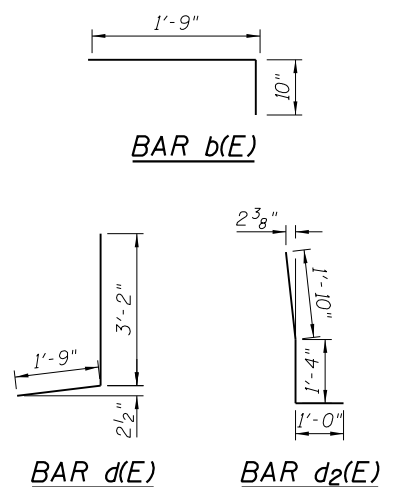
SECTION B-B

(Parapet Removal)



SECTION BB-BB

(Parapet Replacement)



BAR b(E)

BAR d(E)

BAR d2(E)

NOTES:

1. For General Notes and Total Bill of Material, see Sheet S02.
2. For preformed joint strip seal details, see Sheet S13.
3. For bar splicer details, see Sheet S26.
4. Existing reinforcement bars extending into the removal area shall be cleaned, straightened and incorporated into the new construction. Any reinforcement bars that are damaged during concrete removal shall be replaced with an approved bar splicer or anchorage system. Cost included with Concrete Removal.

LEGEND

	Concrete Removal
	Scarification
E.F.	Each Face

BILL OF MATERIAL

Bar	No.	Size	Length	Shape
a(E)	20	#5	23'-4"	—
b(E)	48	#5	2'-7"	└
d(E)	10	#4	4'-11"	J
d2(E)	10	#5	4'-2"	L
h(E)	8	#5	23'-4"	—
Concrete Removal		Cu. Yd.	5.6	
Concrete Superstructure		Cu. Yd.	6.5	
Bridge Deck Grooving		Sq. Yd.	9	
Protective Coat		Sq. Yd.	15	
Reinforcement Bars, Epoxy Coated		Pound	887	
Bar Splicers		Each	14	

Reinforcement bars designated (E) shall be epoxy coated.

HBM
ENGINEERING GROUP, LLC
CONSULTING & DESIGN
INSPECTION & TESTING
RESEARCH & TESTING

4415 WEST HARRISON ST.
SUITE 231
HILLSIDE, IL 60162
PHONE: (708) 236-0900
FAX: (708) 236-0901

DESIGNED - LAK
CHECKED - MI
DRAWN - LAK
CHECKED - MAI, MI

REVISED -
REVISED -
REVISED -
REVISED -

STATE OF ILLINOIS
DEPARTMENT OF TRANSPORTATION

SOUTH ABUTMENT JOINT REMOVAL AND REPLACEMENT
EB US ROUTE 20 OVER PECATONICA RIVER STRUCTURE NO. 089-0042

F.A.P. RTE.	SECTION	COUNTY	TOTAL SHEETS	SHEET NO.
0301	(177-4B-11M)	STEPHENSON	43	27
CONTRACT NO. 64J24			ILLINOIS FED. AID PROJECT	