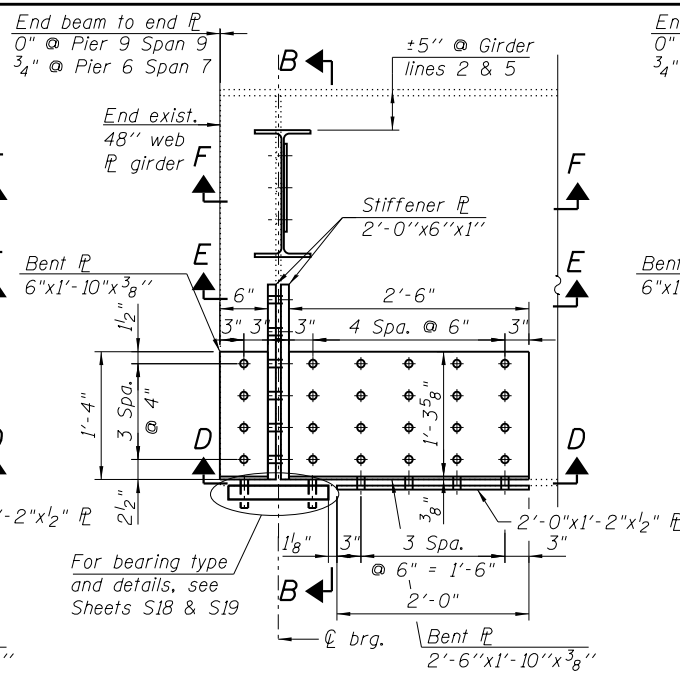


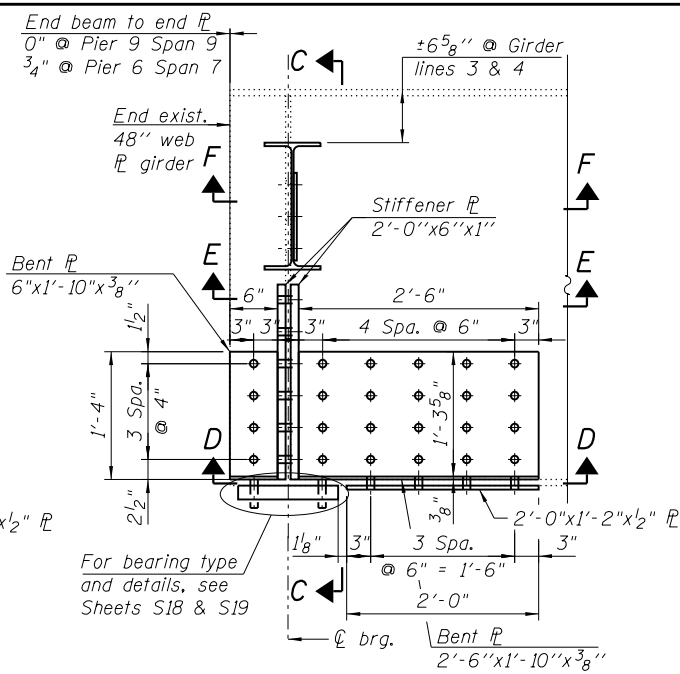
**DIAPHRAGM AND GIRDER REPAIR  
DETAIL (GIRDER LINES 1 & 6)**

At Pier 6 - Span 7  
and Pier 9 - Span 9



**DIAPHRAGM AND GIRDER REPAIR  
DETAIL (GIRDER LINES 2 & 5)**

At Pier 6 - Span 7  
and Pier 9 - Span 9



**DIAPHRAGM AND GIRDER REPAIR  
DETAIL (GIRDER LINES 3 & 4)**

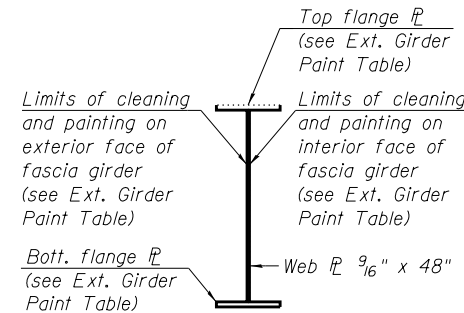
At Pier 6 - Span 7  
and Pier 9 - Span 9

**NOTES:**

- For locations of Diaphragm Repairs, see framing plan Sheet S15.
- All contact surfaces of joints for the diaphragms shall be free of paint or lacquer.
- All diaphragms shall conform to AASHTO Classification M-270 Gr 36. All repair plates, fill plates, stiffener angles, connection plates and connection angles shall conform to AASHTO Classification M-270 Gr 50.
- Diaphragm connection holes shall be 1 5/16" φ for 3/4" φ bolts. Two hardened washers shall be required at diaphragm connection.
- Hardened washers shall be required over all oversized holes.
- Cost of field drilling is included with Furnishing and Erecting Structural Steel.
- Unless otherwise noted in the plans or specifications, field bolted connections shall use 3/4" φ high strength bolts with 1 3/8" φ holes.
- All connection bolts and fasteners shall be incidental to Furnish and Erect Structural Steel and Structural Steel Repair areas.
- Existing diaphragm and clip angle removal shall be paid for as Structural Steel Removal.
- New diaphragm and clip angles shall be paid for as Furnishing and Erecting Structural Steel.
- For cleaning and painting limits, see Sheet S15.

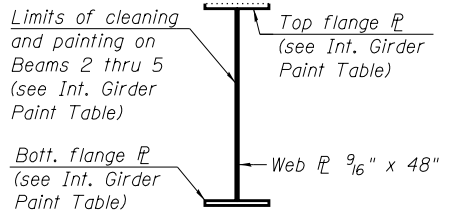
**BILL OF MATERIAL**

ITEM	UNIT	QUANTITY
Furnishing and Erecting Structural Steel	Pound	3,020
Structural Steel Removal	Pound	2,980
Structural Steel Repair	Pound	5,010



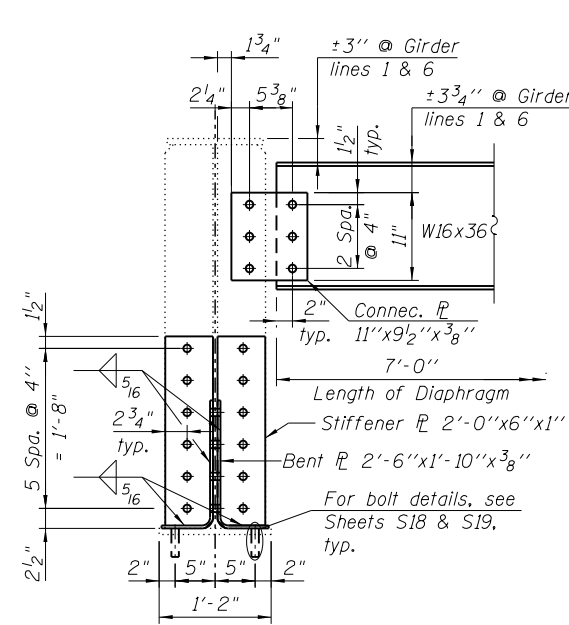
**EXTERIOR GIRDER**

Spans 7 thru 9  
(Total=5544.66 SF)

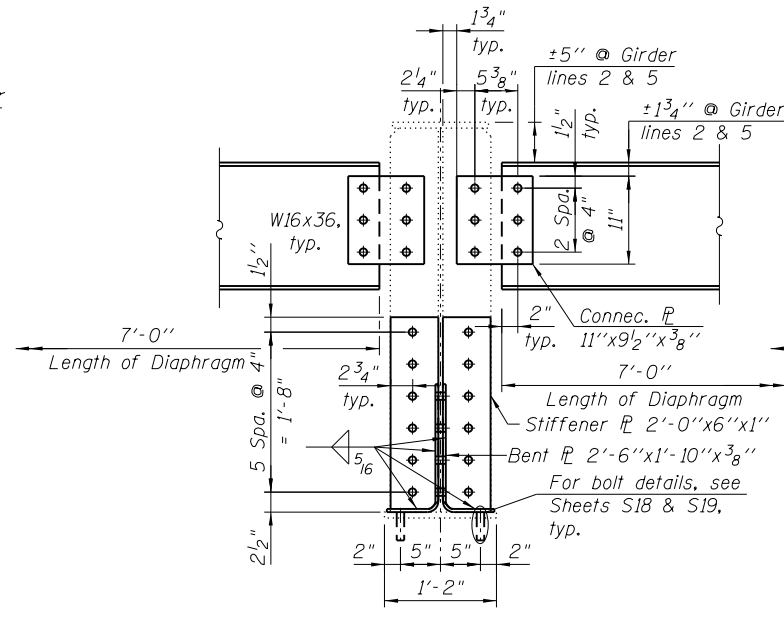


**TYP. INTERIOR GIRDER**

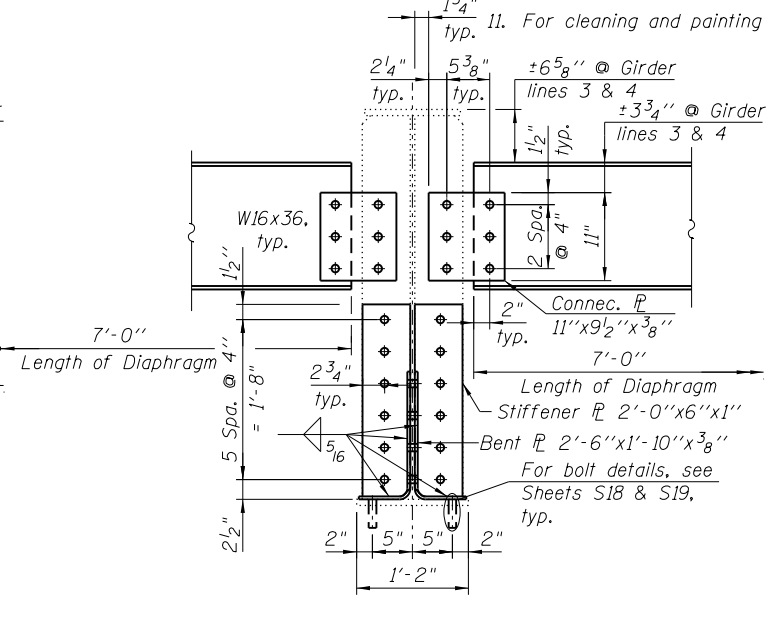
Spans 7 thru 9  
(Total=6056.00 SF)



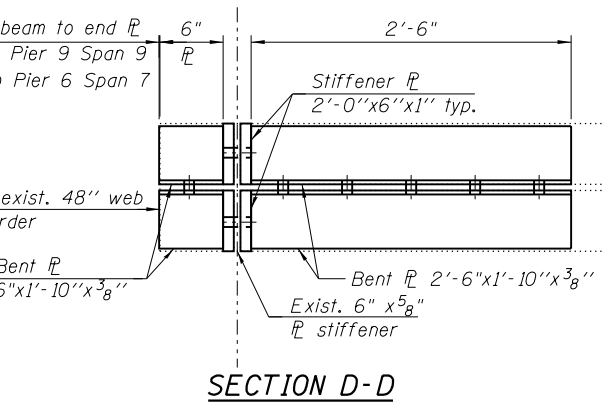
**SECTION A-A**



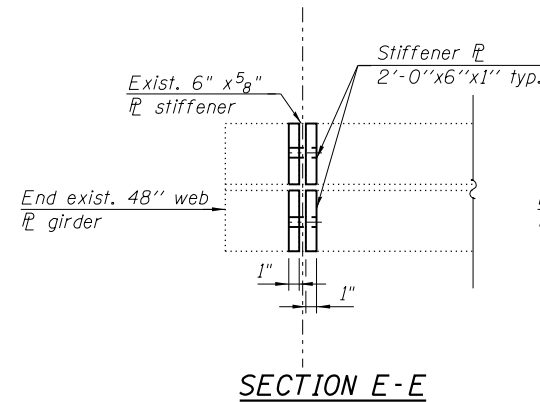
**SECTION B-B**



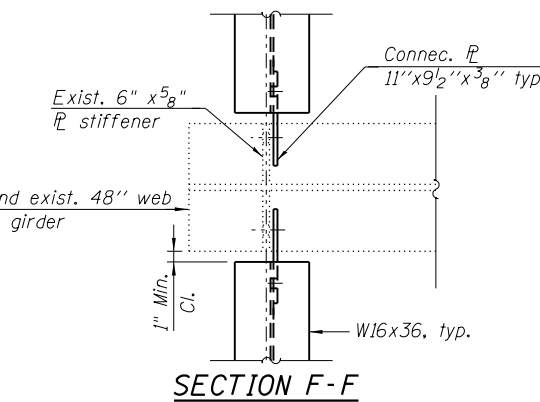
**SECTION C-C**



**SECTION D-D**



**SECTION E-E**



**SECTION F-F**

**INTERIOR GIRDER PAINT TABLE**

Flange Transition Limits	Plate Size		Surface Area (SF/foot)	Quantity (SF)
	Top Flange	Bot. Flange		
Sta. 909+67.60 to Sta. 910+25.00 Sta. 912+71.00 to Sta. 913+28.44	3/4"x12"	3/4"x14"	11.59	463.60
Sta. 910+50.00 to Sta. 910+82.50 Sta. 912+13.50 to Sta. 912+46.00	1 7/8"x18"	1 7/8"x18"	13.13	1050.40

**EXTERIOR GIRDER PAINT TABLE**

Flange Transition Limits	Plate Size		Exterior Face		Interior Face	
	Top Flange	Bot. Flange	Surface Area (SF/foot)	Quantity (SF)	Surface Area (SF/foot)	Quantity (SF)
Sta. 909+67.60 to Sta. 910+25.00 Sta. 912+71.00 to Sta. 913+28.44	3/4"x12"	3/4"x14"	6.38	732.68	5.21	104.20
Sta. 910+25.00 to Sta. 910+50.00 Sta. 910+82.50 to Sta. 911+02.00 Sta. 911+94.00 to Sta. 912+13.50 Sta. 912+46.00 to Sta. 912+71.00	1 1/4"x16"	1 1/4"x16"	6.89	613.21	5.55	N/A
Sta. 910+50.00 to Sta. 910+82.50 Sta. 912+13.50 to Sta. 912+46.00	1 7/8"x18"	1 7/8"x18"	7.32	475.80	5.82	232.80
Sta. 911+02.00 to Sta. 911+94.00	3/4"x12"	1 1/4"x16"	6.67	613.64	5.34	N/A