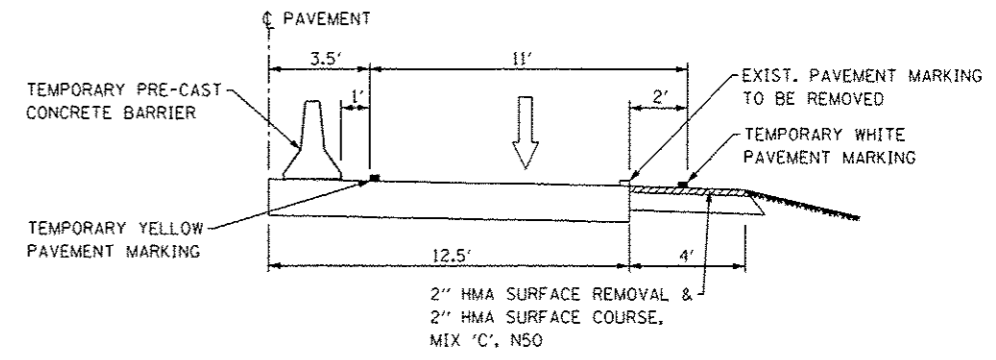
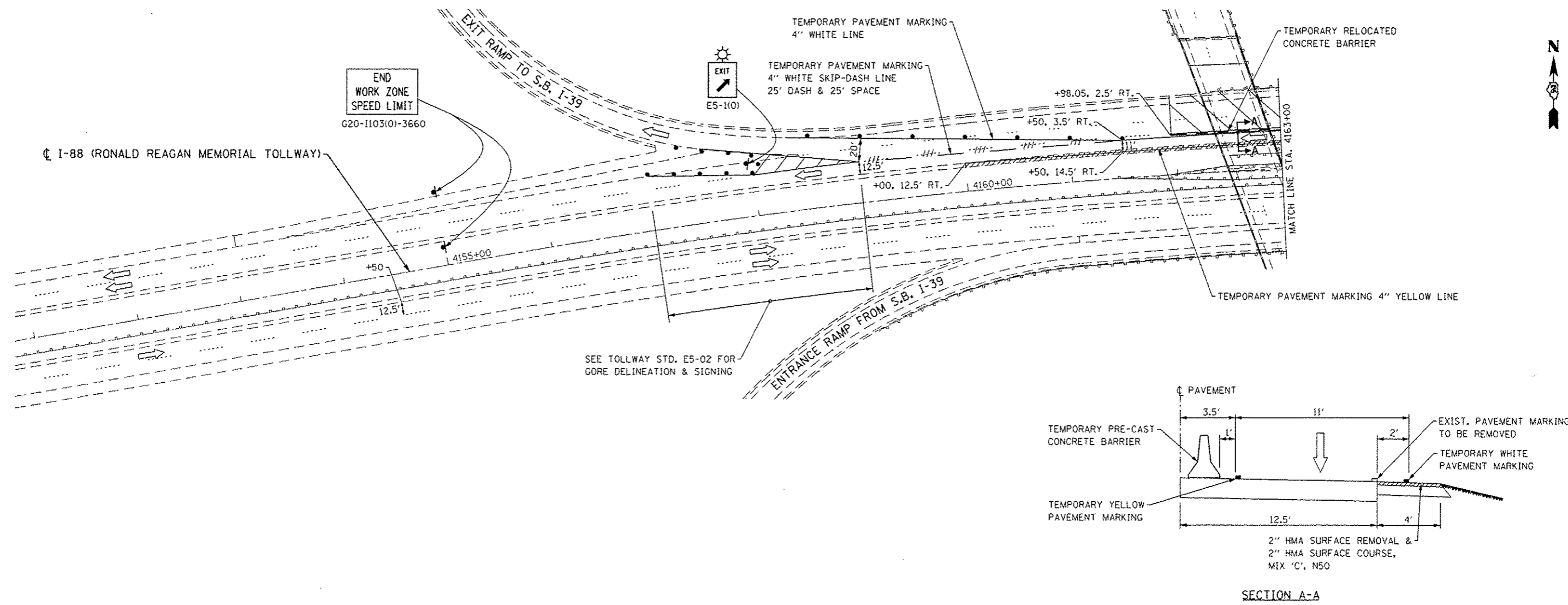
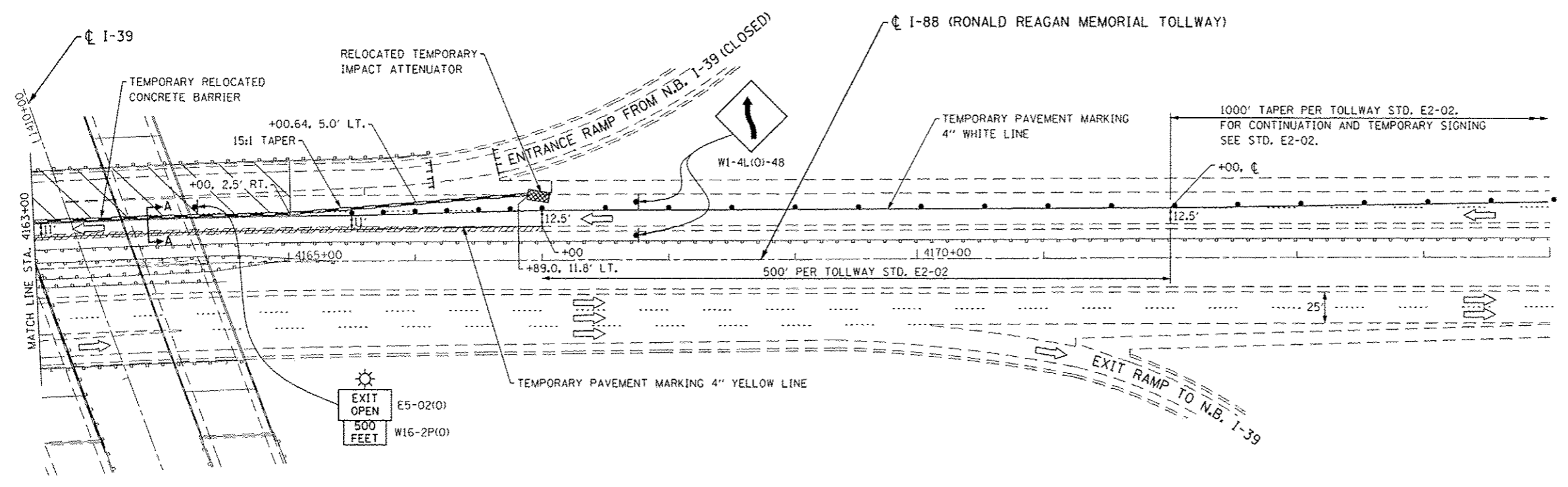


DATE	
BY	
DESIGNED	
DRAWN	
CHECKED	
DATE	

DATE	
BY	
DESIGNED	
DRAWN	
CHECKED	
DATE	



SECTION A-A



LEGEND

	PROPOSED HMA SURFACE REMOVAL, 2" HMA SURFACE COURSE, MIX 'C', N50, 2"
	TEMPORARY CONCRETE BARRIER
	IMPACT ATTENUATOR, TEMPORARY (NON-REDIRECTIVE) TEST LEVEL 3
	TRAFFIC FLOW ARROW
	WORK ZONE
	DRUMS SPACED AT INTERVALS AS NOTED
	PAVEMENT MARKING REMOVAL
	TEMPORARY SIGN WITH MESSAGE