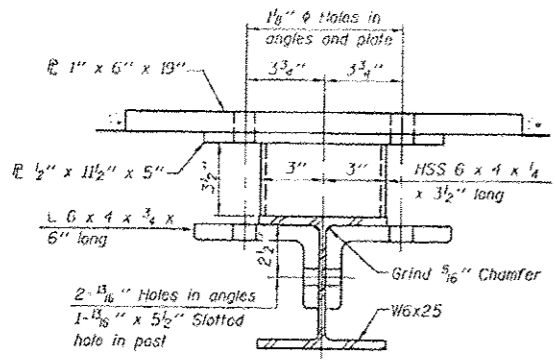
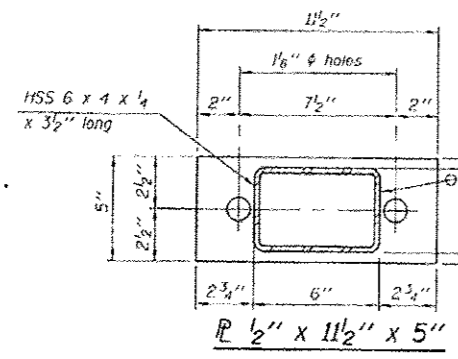


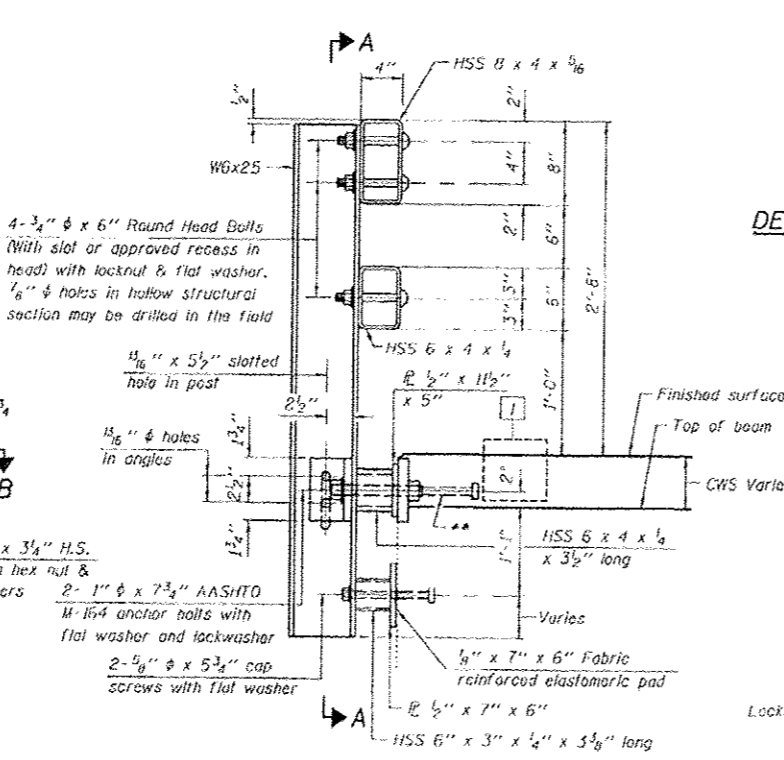
SECTION A-A



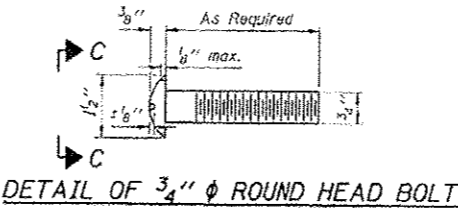
SECTION B-B



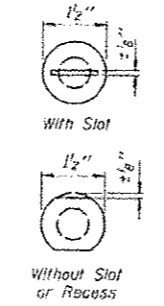
SECTION AT RAIL SPLICE



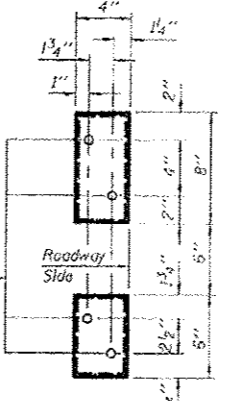
SECTION AT RAIL POST



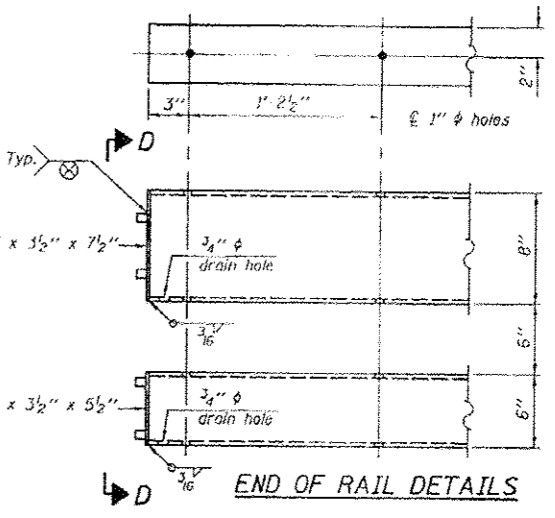
DETAIL OF 3/4" ROUND HEAD BOLT



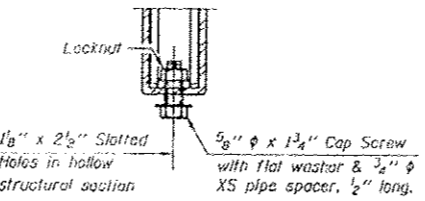
VIEW C-C



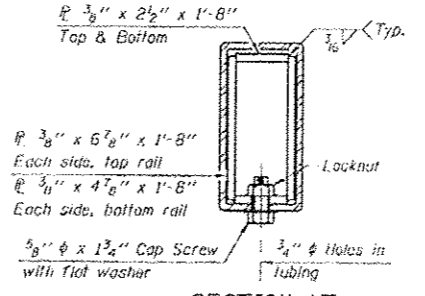
VIEW D-D



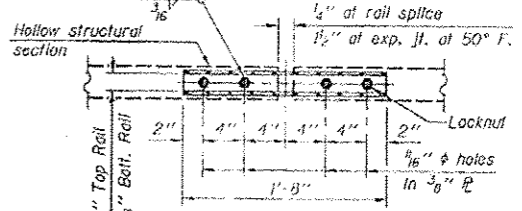
END OF RAIL DETAILS



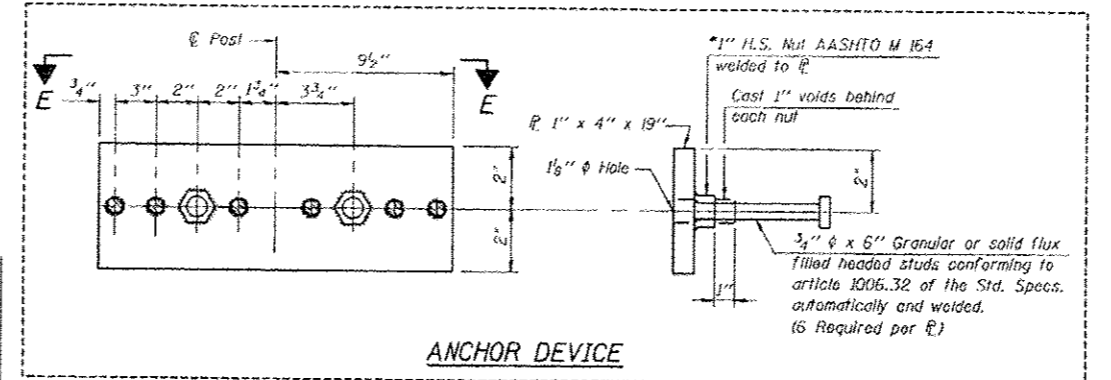
RAIL SPLICE CONNECTION AT EXPANSION JT.



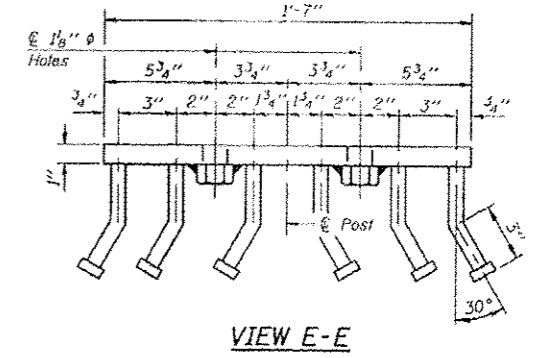
SECTION AT RAIL SPLICE



PLAN-BOTT. SPLICE TYPICAL



ANCHOR DEVICE



VIEW E-E

Notes:  
 All field drilled holes shall be coated with an approved zinc rich paint before erection.  
 For multi-span bridges, sufficient 1/4" x 6" x 1'-2" galvanized steel shims shall be provided to align rail between adjacent spans. Cost included with Steel Hailing, Type SM.  
 Steel rail elements shall be galvanized according to Article 509.05 of the Standard Specifications.  
 The studs of the anchor devices shall be placed below the top reinforcement bars and the outermost longitudinal reinforcement bar shall be placed directly above the studs of the rail post anchor device.  
 Bottom section of existing rail anchor device to remain in place.

BILL OF MATERIAL

| Item                   | Unit | Quantity |
|------------------------|------|----------|
| Steel Rolling, Type SM | Foot | 134      |

(6'-5" Maximum Post Spacing) (5" minimum to 7 1/8" maximum CWS thickness)

FILE NAME = G:\102769\_P\Jm\_River\Structural\CADD\_Sheets\0264\_055-05-railling.stw.dgn

CHRISTIAN-ROGE & ASSOCIATES, INC.

|                           |                               |                                |
|---------------------------|-------------------------------|--------------------------------|
| USER NAME = DDT           | DESIGNED - B.N.S./J.W./H.S.J. | REVISED - [1] 5/24/2013 B.N.S. |
| PLOT SCALE = 3/8" = 1'-0" | CHECKED - B.N.S./H.S.J./J.W.  | REVISED -                      |
| PLOT DATE = 5/24/2013     | DRAWN - F.M.                  | REVISED -                      |
|                           | DATE - MARCH, 2013            | REVISED -                      |

STATE OF ILLINOIS DEPARTMENT OF TRANSPORTATION

STEEL RAILING, TYPE SM WITH CONCRETE WEARING SURFACE STRUCTURE NO. 008-0035

SHEET NO. 56 OF 57 SHEETS

|                    |                               |                |                           |              |
|--------------------|-------------------------------|----------------|---------------------------|--------------|
| F.A.P. 642         | SECTION 02 DECK REPAIR 2013-4 | COUNTY CARROLL | TOTAL SHEETS 25           | SHEET NO. 19 |
| CONTRACT NO. 64J55 |                               |                | ILLINOIS FED. AID PROJECT |              |