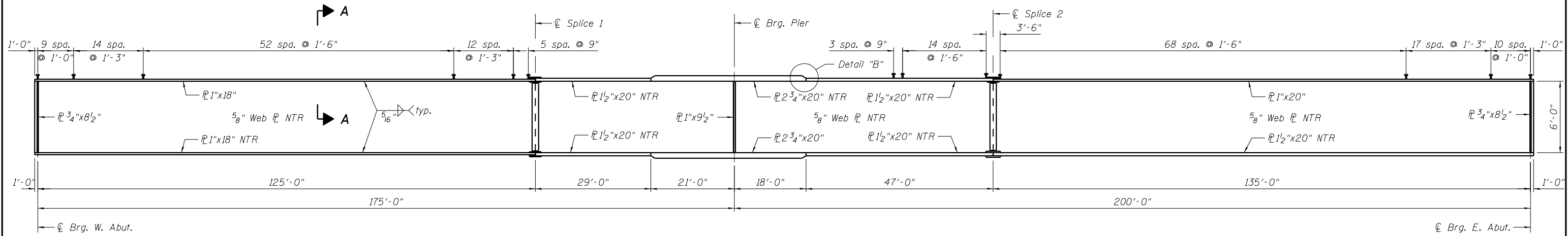
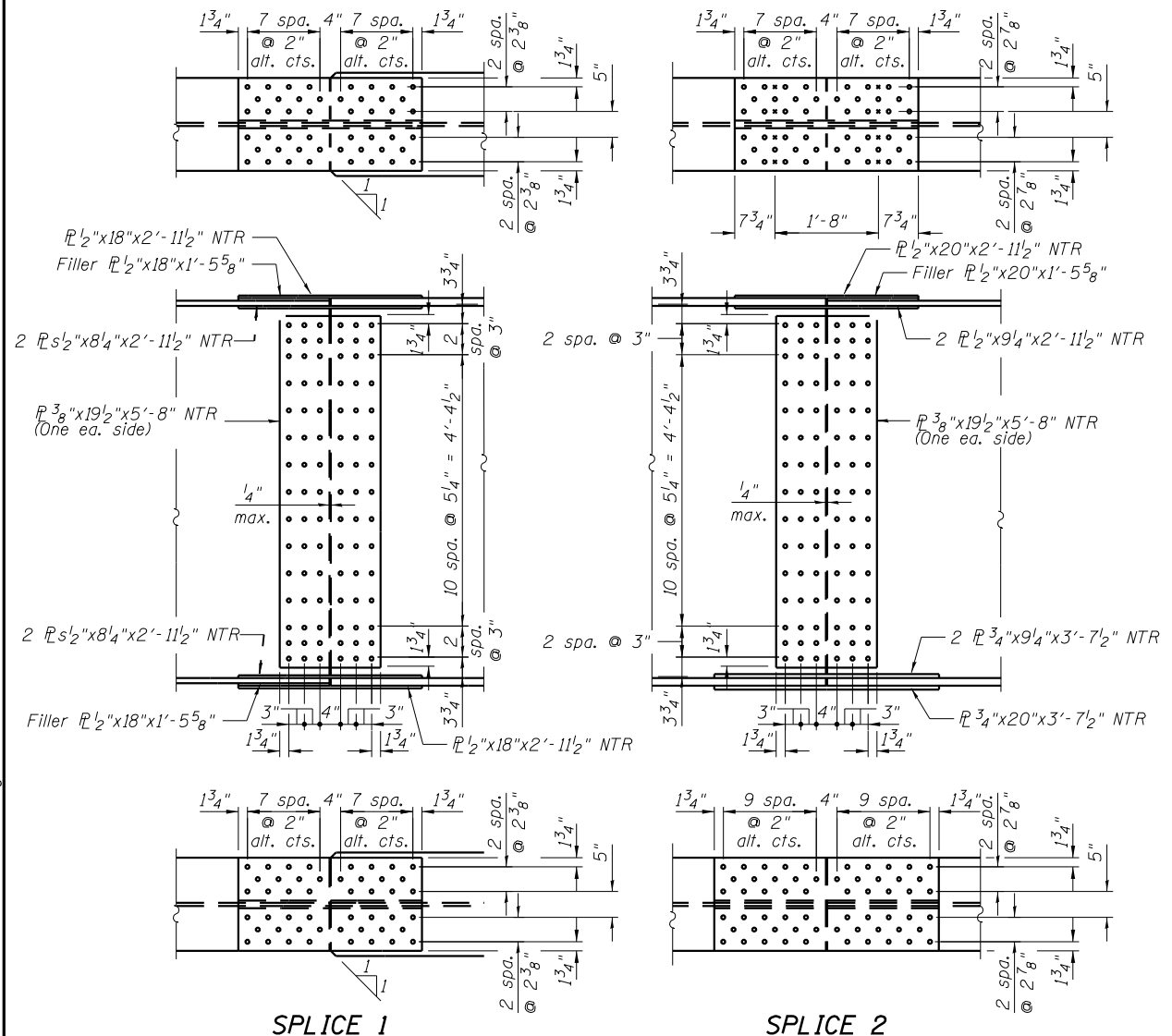


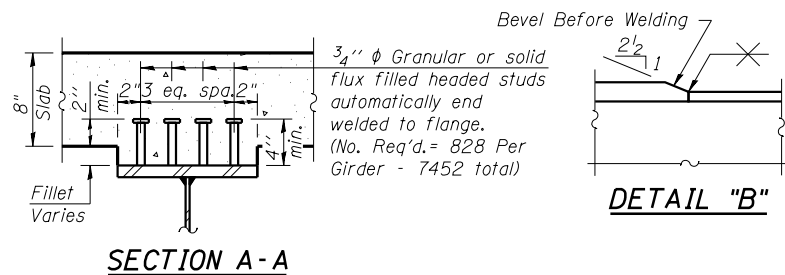
STATE OF ILLINOIS
DEPARTMENT OF TRANSPORTATION



GIRDER ELEVATION



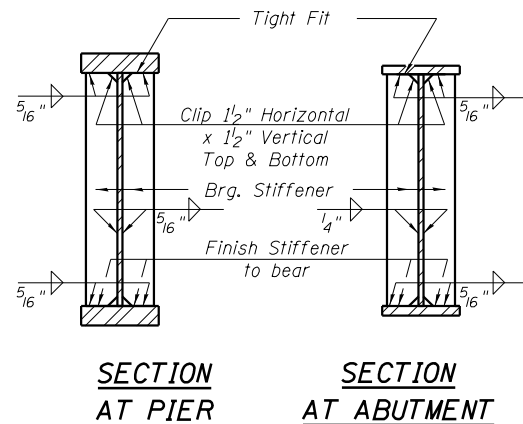
SPLICE 1
SPLICE 2
FIELD SPLICE DETAILS



SECTION A-A

DETAIL "B"

Notes:
"NTR" denotes plates to which notch toughness requirements are applicable.
Load carrying components designated "NTR" shall conform to the Supplemental Requirements for Notch Toughness, Zone 2.
All plates of the girders, including bearing stiffeners and splice plates, shall be AASHTO M 270, Grade 50.



SECTION AT PIER

SECTION AT ABUTMENT

LEGEND

- 7/8" phi H.S. Bolt, 1 5/16" phi hole
 - 3/4" phi x 4" Shear Stud*
- *Shear Studs on the splice plates are included in the "Furnishing and Erecting Structural Steel" lump sum and are added to the calculated weight of steel on sheet 2 of 33.

All splice plates except filler plates are "NTR"

DESIGNED	- JSI/MAJ/JFS
CHECKED	- JFS/MJB
DRAWN	- MLB/JLP
CHECKED	- JFS/MJB

GIRDER ELEVATION
STRUCTURE NO. 032-0119

 Foth Infrastructure & Environment, LLC 7500 North Harker Drive Peoria, IL 61615 Phone: 309-691-5300 Fax: 309-691-1892 Illinois Registration Number 184.004913	SHEET NO. 19	F.A.U. RTE.	SECTION	COUNTY	TOTAL SHEETS	SHEET NO.
	33 SHEETS	400	(32,47-4) HBR-2	GRUNDY	143	80
		S.N. 032-0119		CONTRACT NO. 66873		
		FED. ROAD DIST. NO.	ILLINOIS	FED. AID PROJECT		

c:\pw\work\pilot\duncanbd\0181369119-GIRDER ELEVATION.dgn