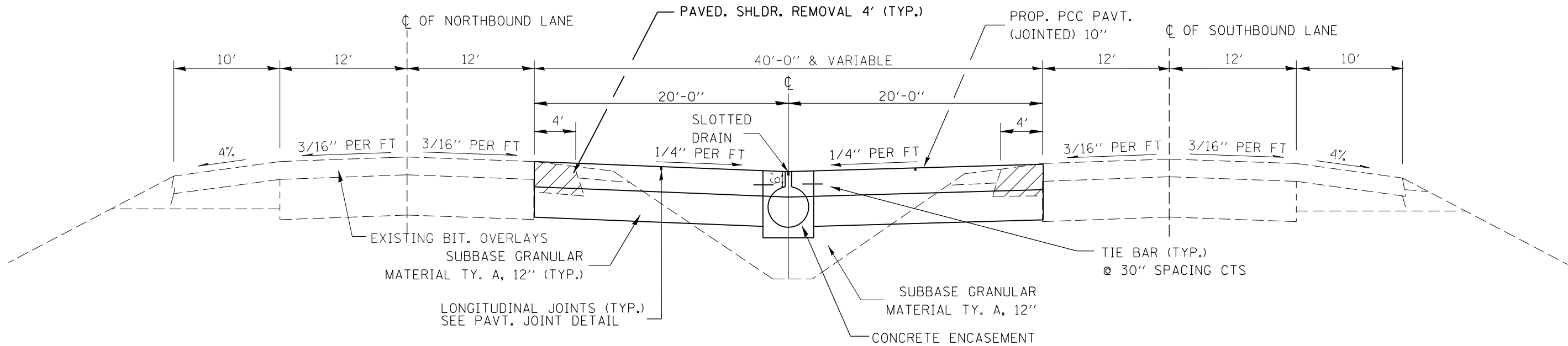


**PROPOSED TYPICAL SECTION**

STA 265+35.12 TO STA 273+74 NB  
 STA. 265+05.72 TO STA 273+77.5 SB  
 STA 280+66.88 TO STA 281+82 NB & SB



**MEDIAN CROSS OVER TYPICAL SECTION  
 SOUTH END OF PROJECT**

STA. 276+89.13 TO STA. 278+41.33

FILE NAME =	USER NAME = mcfaddenka	DESIGNED -	REVISED -
c:\pwwork\pwwork\mcfaddenka\d0288989\0366890-sh-typical.dgn		DRAWN -	REVISED -
		CHECKED -	REVISED -
		DATE -	REVISED -

**STATE OF ILLINOIS  
 DEPARTMENT OF TRANSPORTATION**

<b>TYPICAL SECTIONS</b>			
SCALE:	SHEET	OF SHEETS	STA. TO STA.

F.A.I. RTE.	SECTION	COUNTY	TOTAL SHEETS	SHEET NO.
57	[(140)BR, BR-1, & 1 (1)]	KANKAKEE	33	7
CONTRACT NO. 66B90			ILLINOIS FED. AID PROJECT	