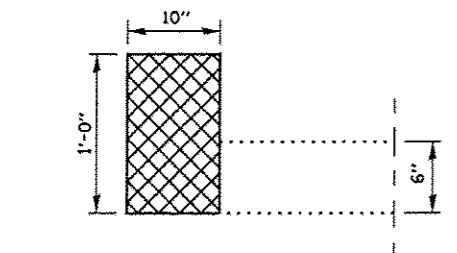
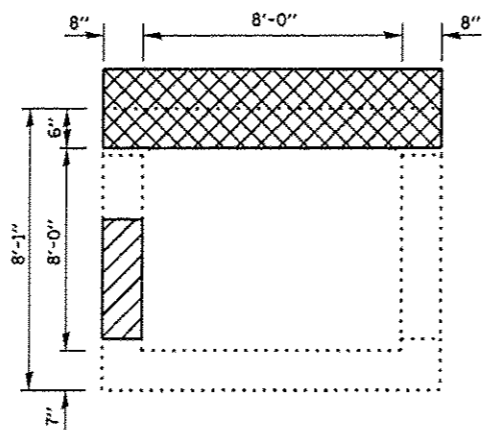


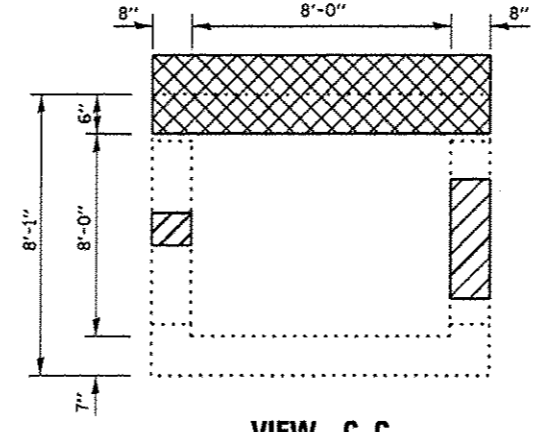
PLAN



HEADWALL REMOVAL DETAIL

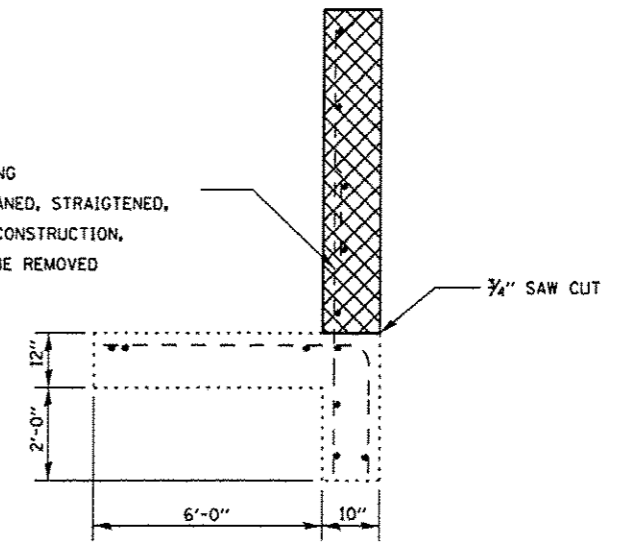


VIEW B-B

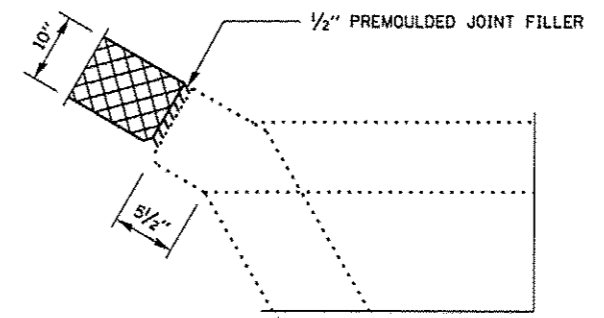
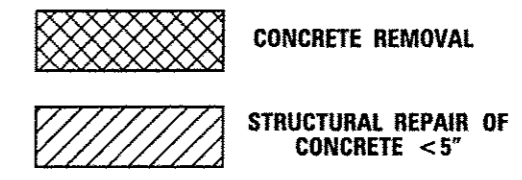


VIEW C-C

EXISTING VERTICAL REBAR EXTENDING INTO REMOVAL AREA SHALL BE CLEANED, STRAIGHTENED, AND INCORPORATED INTO THE NEW CONSTRUCTION, ALL OTHER REINFORCEMENT SHALL BE REMOVED



SECTION A-A



CORNER DETAIL (TYPICAL)

BILL OF MATERIAL

ITEM	UNIT	TOTAL
CONCRETE REMOVAL	CU YD	11.2
STRUCTURAL REPAIR OF CONCRETE < 5"	SQ FT	9