

**HALF ELEVATION**

**LAP LENGTH**

BAR SIZE TO BE SPLICED	MIN. LAP LENGTH
#3	2'-1"
#4	2'-1"
#5	2'-7"
#6	3'-1"

\*\*ORDER V<sub>1</sub>(E) BAR FULL LENGTH AND CUT TO FIT SKEW

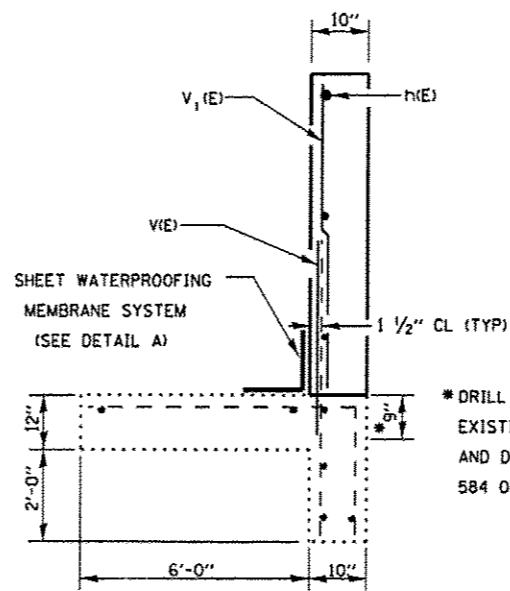
CONCRETE NAILS (FLAT HD. C.S.)  
1" LONG AT 12" CTS.  
(VERTICAL)

6" HOLLOW BULB TYPE NONMETALLIC  
WATER SEAL (6" FROM TOP OF WALL  
TO TOP OF FOOTING)

EPOXY NEW WATER SEAL INTO 2" WIDE SAWCUT GROOVE.  
EPOXY TO MEET THE REQUIREMENTS OF ASTM C881, TYPE III, GRADE 3.  
PRIME GROOVE WITH AN EPOXY MEETING ASTM C881, TYPE III, GRADE 1.  
COST INCLUDED WITH CONCRETE BOX CULVERTS.

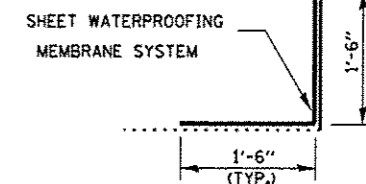
1/2" PREMOULDED  
JOINT FILLER  
1/2" CHAMFER  
BACK FACE  
CUT EXISTING WATER SEAL  
OFF FLUSH WITH EXISTING WALL

**CORNER DETAIL**

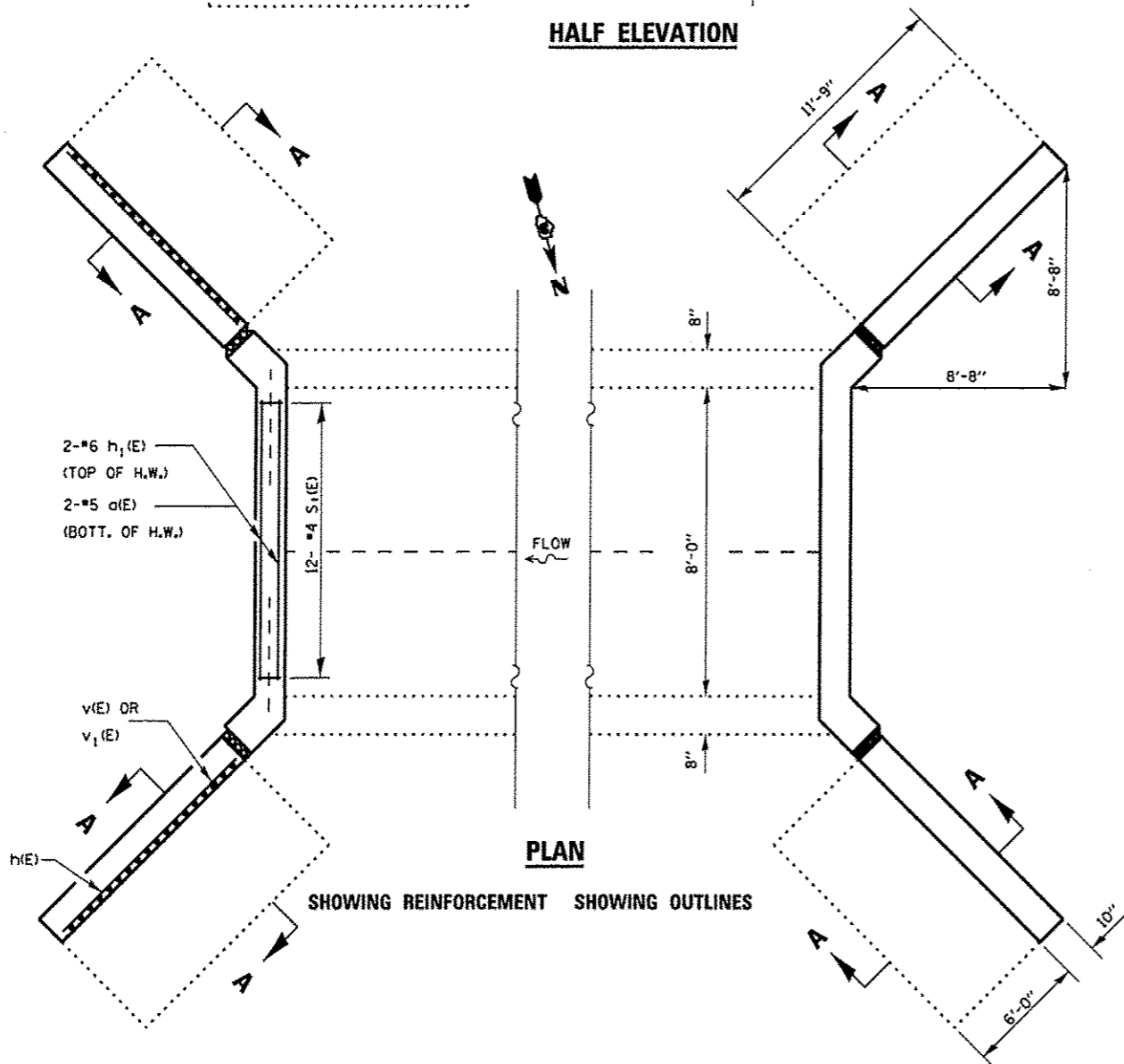


**SECTION A-A**

\*DRILL AND GROUT #5 V(E) BAR INTO  
EXISTING FOOTING AT SPECIFIED SPACING  
AND DEPTH IN ACCORDANCE WITH ART.  
584 OF THE STANDARD SPECS.

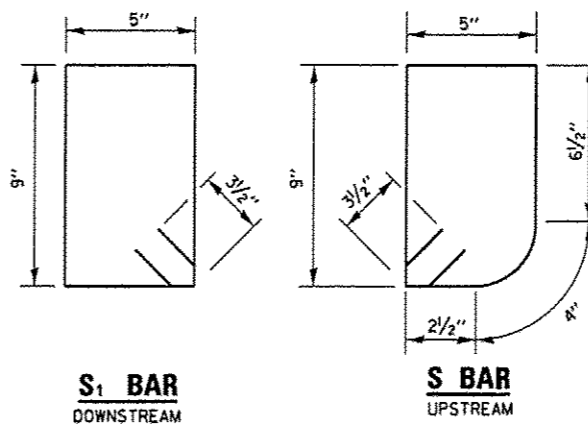


**DETAIL A**



**PLAN**

SHOWING REINFORCEMENT SHOWING OUTLINES



**S<sub>1</sub> BAR  
DOWNSTREAM**

**S BAR  
UPSTREAM**

**BILL OF MATERIAL**

BAR	NO.	SIZE	LENGTH	SHAPE
o(E)	2	#5	8'-6"	—
h(E)	44	#4	11'-6"	—
h1(E)	2	#6	8'-6"	—
s(E)	10	#4	2'-10"	□
s1(E)	10	#4	2'-11"	□
v(E)	72	#5	4'-0"	—
v1(E)	72	#4	11'-8"	—
CONCRETE REMOVAL			CU. YD.	11.2
CONCRETE BOX CULVERTS			CU. YD.	11.2
SHEET WATERPROOFING MEMBRANE SYSTEM			SQ. YD.	15.7
REINFORCEMENT BARS, EPOXY COATED			LBS.	1290

FILE NAME * c:\p\work\p\dat\patel\j\d0311733\03660	USER NAME * patel,j 8-ahs-detailed.dgn	DESIGNED - RS	REVISED -
		DRAWN - RS	REVISED -
		CHECKED - RW	REVISED -
		DATE -	REVISED -

STATE OF ILLINOIS  
DEPARTMENT OF TRANSPORTATION

RECONSTRUCTION DETAILS  
FOR LOCATION 2: SN 050-2567

SCALE: SHEET 5 OF 6 SHEETS STA. 462+40

F.A.P. RTE.	SECTION	COUNTY	TOTAL SHEETS	SHEET NO.
311	D3 WW REPAIR 2014-1	*	41	16
*KENDALL & LASALLE		CONTRACT NO. 66C40		
[ILLINOIS] FED. AID PROJECT				