

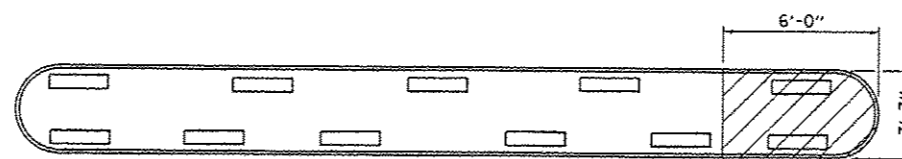
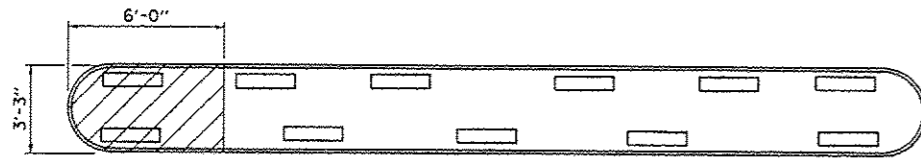
SECTION A - A

PIER 3 BEAM REACTION TABLE

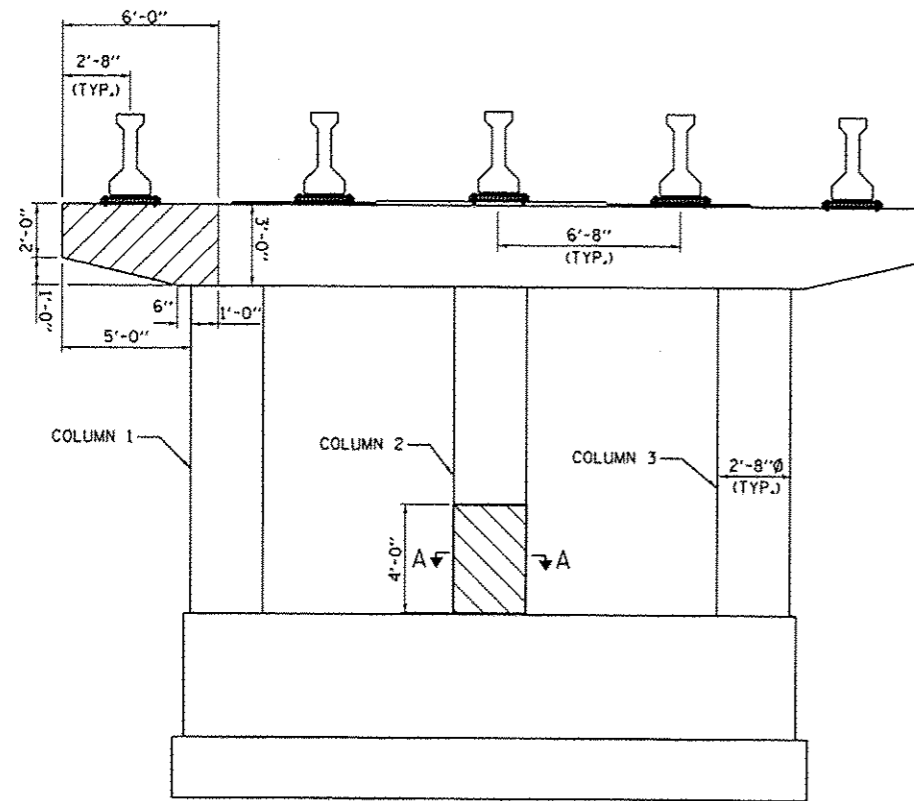
		SPAN 3	SPAN 4
$R\phi$	(K)	27.4	35.6
$R\downarrow$	(K)	27.3	29.1
Imp.	(K)	8.0	8.0
R (Total)	(K)	62.7	72.7

NOTES:

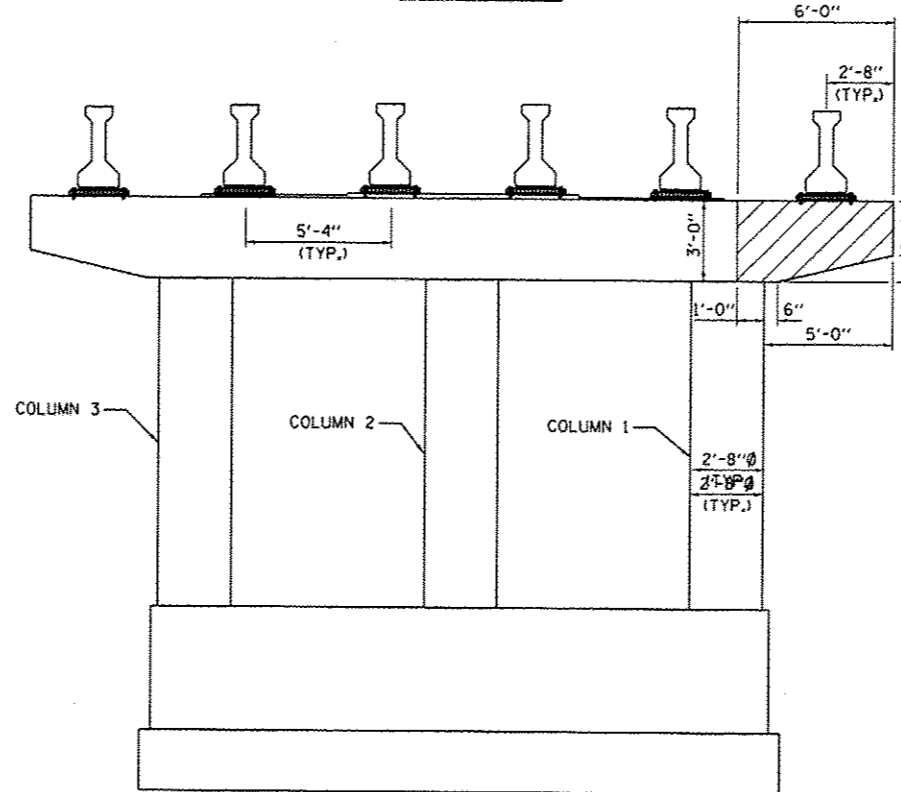
1. TEMPORARY BEAM SUPPORTS SHALL BE FURNISHED AND INSTALLED PRIOR TO BEGINNING CONCRETE REMOVAL OPERATIONS.
2. THE CONTRACTOR SHALL EXERCISE EXTREME CARE DURING CONCRETE REMOVAL OPERATIONS SO THE PPC-I BEAMS ARE NOT DAMAGED. IF THE EXISTING BEAMS ARE DAMAGED DUE TO THE CONTRACTOR'S CONCRETE REMOVAL OPERATIONS, THE CONTRACTOR SHALL REPAIR THE BEAMS TO THE SATISFACTION OF THE ENGINEER AT THE CONTRACTOR'S EXPENSE.
3. REMOVE EXISTING BEARINGS AND REPLACE WITH NEW ELASTOMERIC BEARING ASSEMBLY, TYPE II SPECIAL AS DETAILED ON SHEET 13 OF 26.
4. QUANTITIES AND REPAIR AREAS SHOWN ARE ESTIMATES. THE ENGINEER SHALL DETERMINE EXACT LOCATIONS AND EXTENT OF REPAIRS.
5. ALL STRUCTURAL STEEL SHALL CONFORM TO AASHTO CLASSIFICATION M-270 GR. 36, UNLESS OTHERWISE NOTED



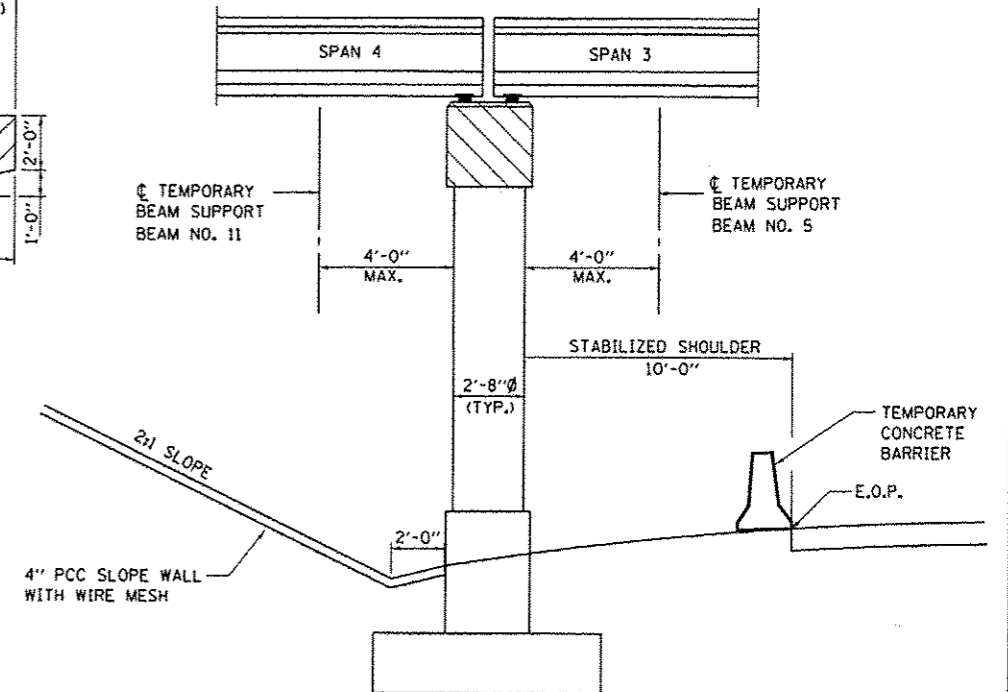
TOP PLAN



**NORTH FACE
PIER 3**



**SOUTH FACE
PIER 3**



**EAST ELEVATION
PIER 3**

CONCRETE REMOVAL LIMITS

STRUCTURAL REPAIR OF CONCRETE. DEPTH LESS THAN OR EQUAL TO 5 INCHES.

BILL OF MATERIAL

ITEM	UNIT	QUANTITY
Str Rep Con DP = < 5	Sq. Ft.	17
Temporary Shoring and Cribbing	Each.	2