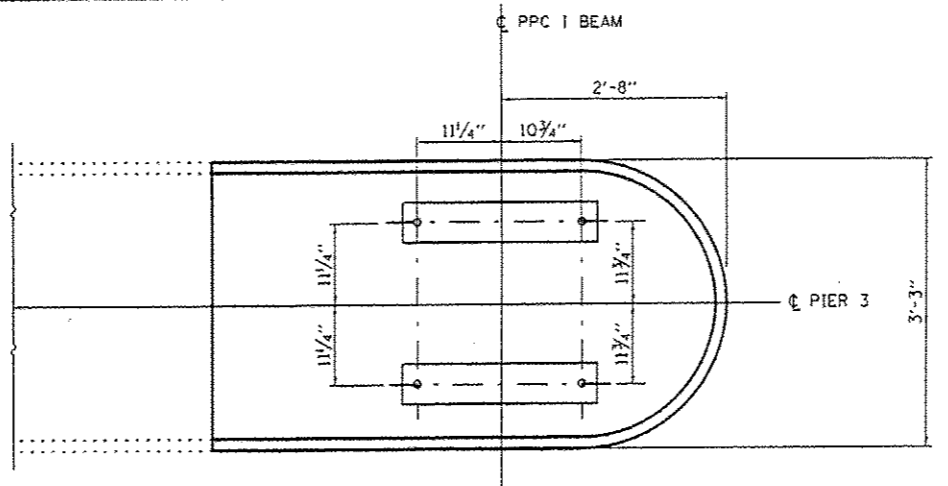
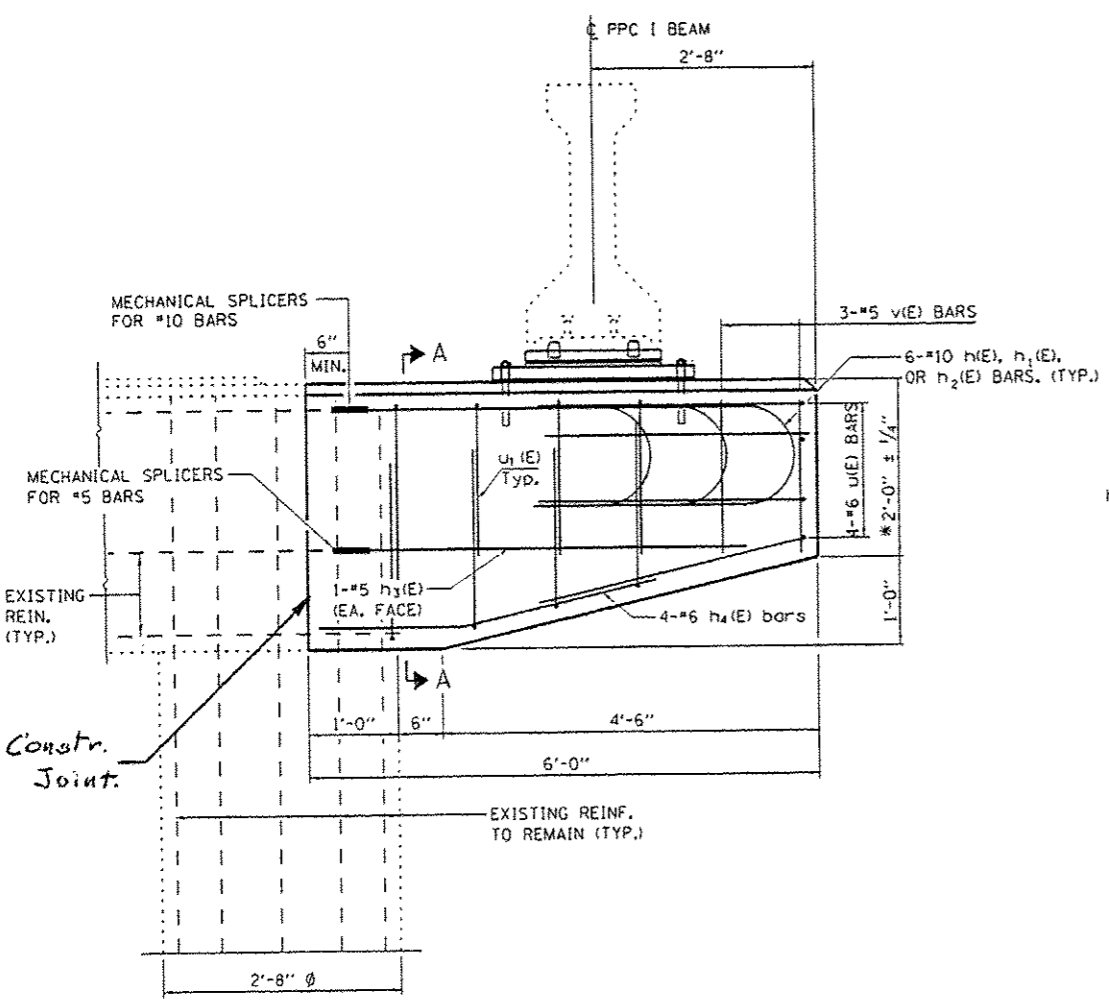
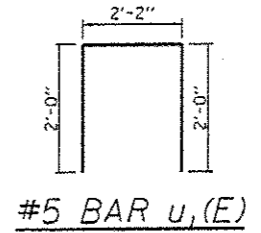
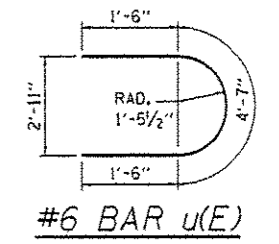
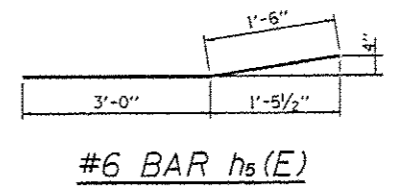
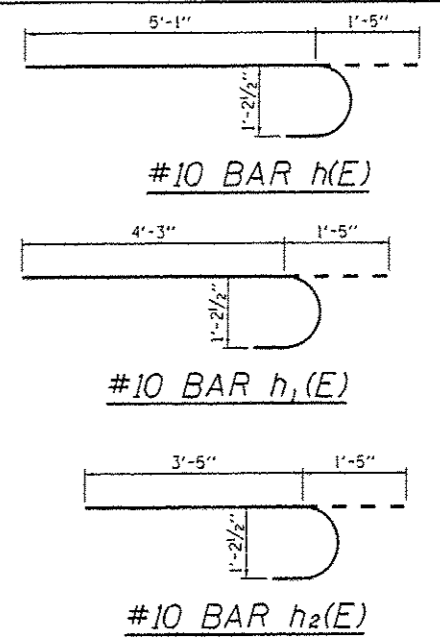


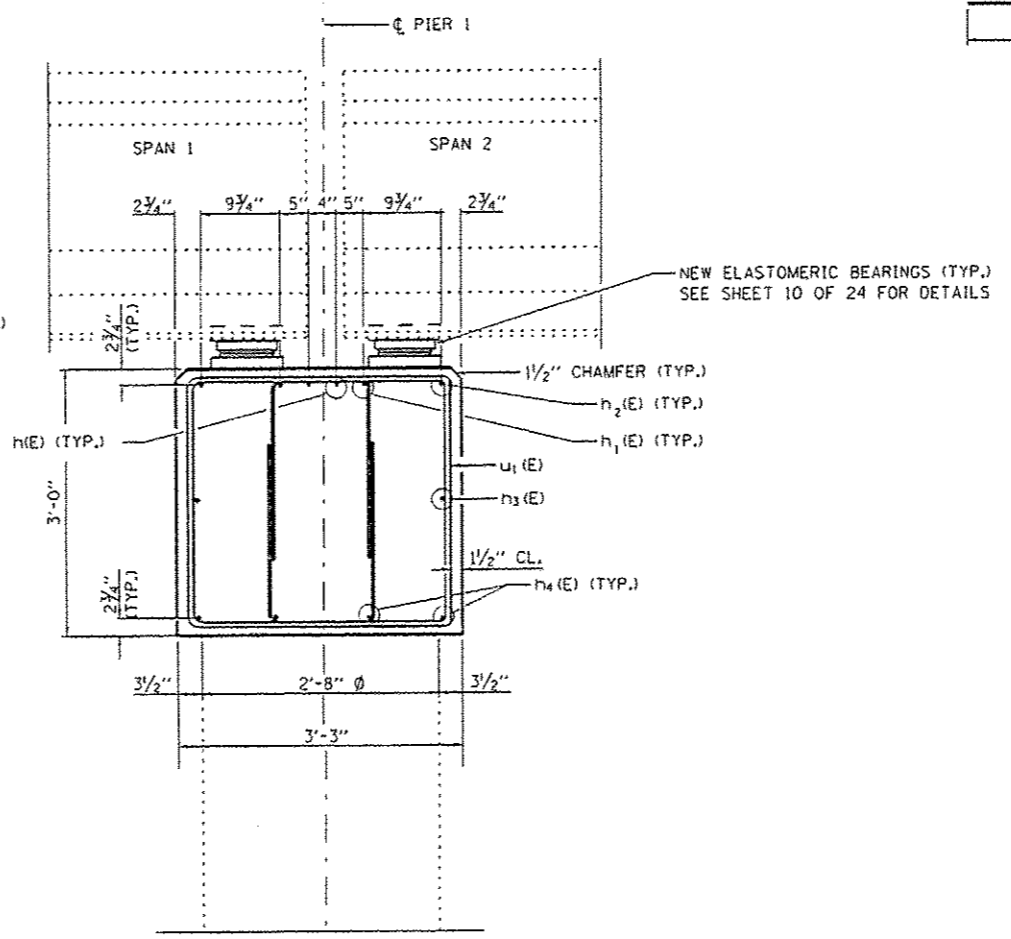
**TOP PLAN**



**ANCHOR BOLTS LAYOUT**



**ELEVATION  
EAST END SOUTH PIER  
LOOKING NORTH**



**SECTION A-A**

**BILL OF MATERIAL**

Bar	No.	Size	Length	Shape
h(E)	2	#10	6'-6"	—
h1(E)	2	#10	5'-8"	—
h2(E)	2	#10	4'-10"	—
h3(E)	2	#5	5'-7"	—
h4(E)	4	#6	4'-6"	—
u(E)	4	#6	7'-7"	U
u1(E)	16	#5	6'-2"	U
v(E)	3	#5	1'-9"	—
CONCRETE REMOVAL			CU. YD.	1.9
CONCRETE STRUCTURES			CU. YD.	1.9
REINFORCEMENT BARS EPOXY COATED			POUND	348
MECHANICAL SPLICER			EACH	8

\* FIELD VERIFY PRIOR TO CONCRETE PLACEMENT THAT TOP OF NEW CONCRETE WILL BE ABLE TO ACCOMMODATE THE NEW DESIGNED BEARING. ± 1/4" TOLERANCE WILL BE ALLOWED IN ORDER TO INSURE FIT OR AS APPROVED BY THE ENGINEER.