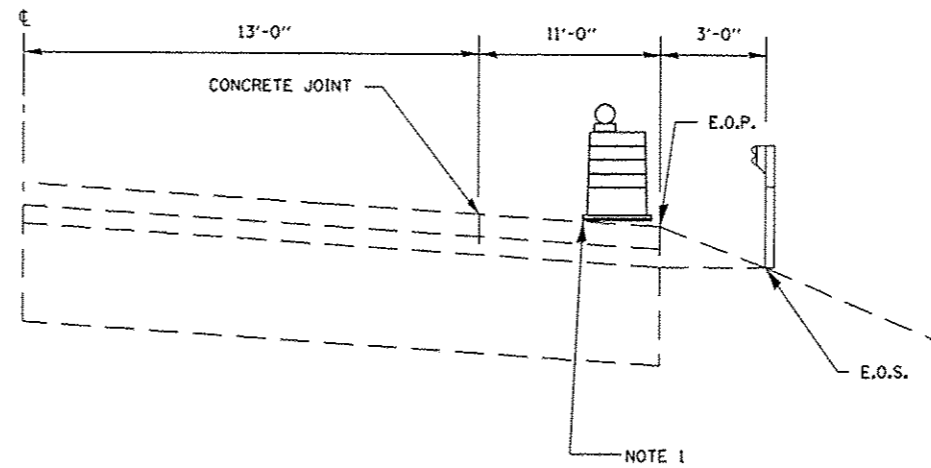


TYPICAL SECTION



TYPICAL SECTION

NOTE 1:
 DRUMS WITH STEADY BURNING BI-DIRECTIONAL LIGHT
 SHALL BE SET WHEN THE CONTRACTOR AND THE
 CONTRACTORS PERSONNEL ARE NOT PRESENT.

FILE NAME =	USER NAME = patelij	DESIGNED -	REVISED -	STATE OF ILLINOIS DEPARTMENT OF TRANSPORTATION	TYPICAL SECTION	F.A.S RTE.	SECTION	COUNTY	TOTAL SHEETS	SHEET NO.	
ci:\pw_work\p\ridat\patelij\60320372\0356	75-ahs-detail.dgn	DRAWN -	REVISED -			1252	(241)	BUREAU	7	3	
#MODELNAME*	PLOT SCALE = 100.0000' / in.	CHECKED -	REVISED -			CONTRACT NO. 66C75					
	PLOT DATE = 4/3/2013	DATE -	REVISED -			SCALE:	SHEET 1 OF 1 SHEETS	STA.	TO STA.	[ILLINOIS] FED. AID PROJECT	