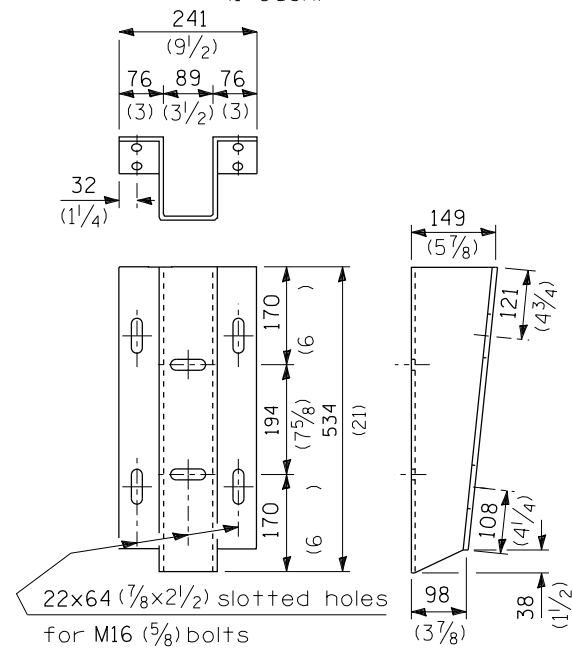
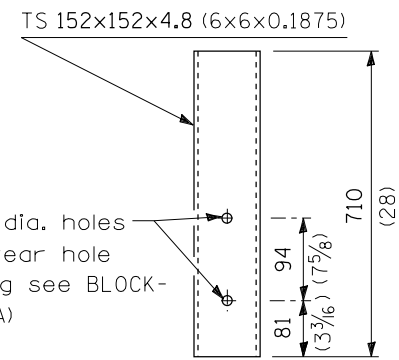
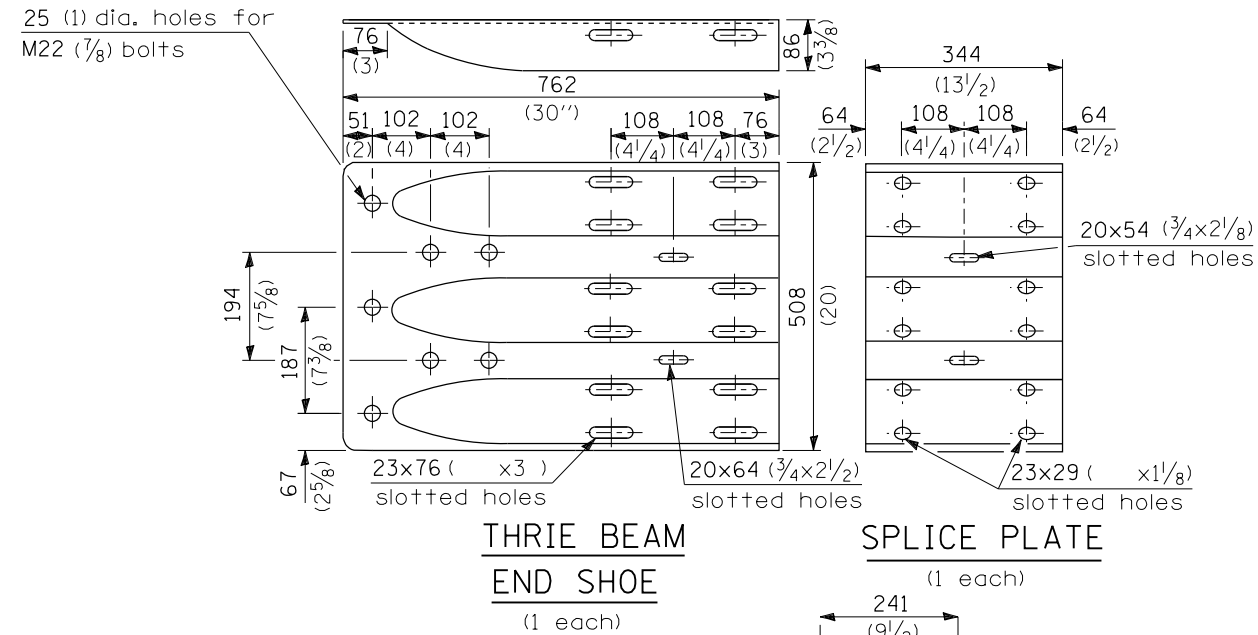
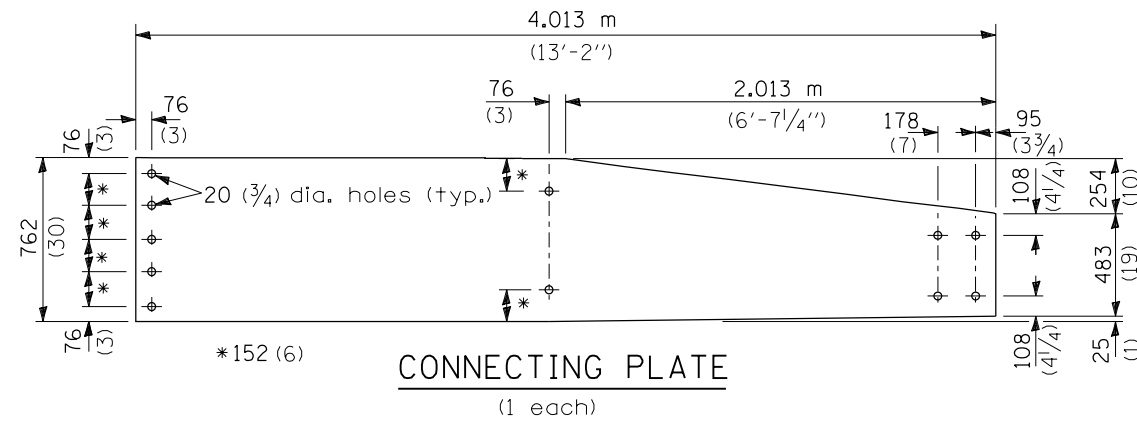
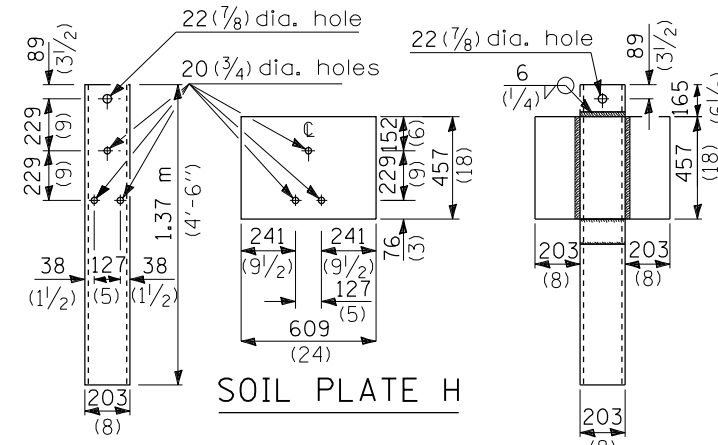
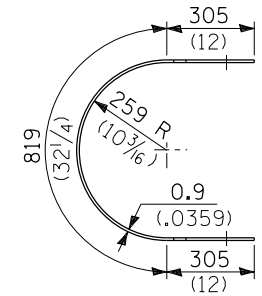
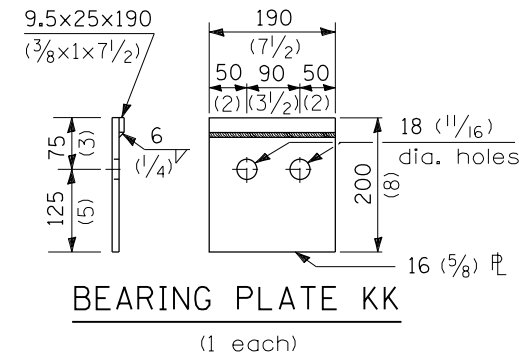


TYPE 3A ONLY



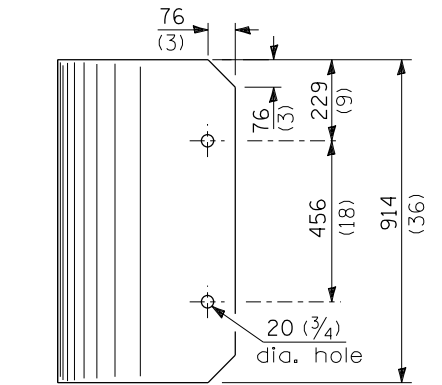
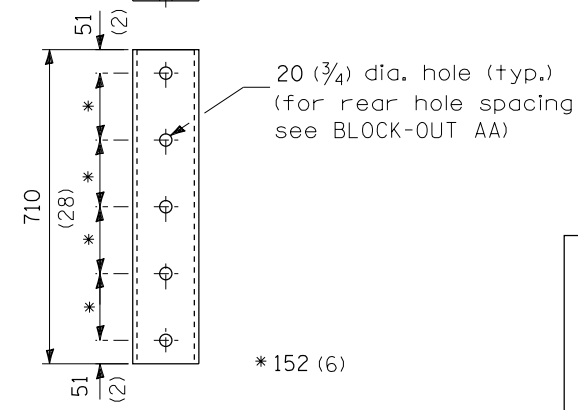
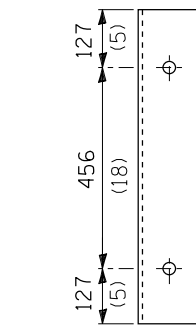
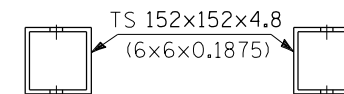
TYPE 3 & 3A



STEEL TUBE

TS 203x203x4.8 (8x8x0.1875)
(end terminal post) (1 ea.)

TS 203x152x4.8 (8x6x0.1875)
(terminal post) (4 ea. Type 3)
(5 ea. Type 3A)



DETAIL INCLUDED FOR REPAIR ONLY

All dimensions are in millimeters (inches) unless otherwise shown.

• D-3 HIGHWAY DAMAGE REPAIR 2014

FILE NAME =	USER NAME = corcoranlm	DESIGNED -	REVISED -
es:\pwork\pwork\corcoranlm\d0329287\066676-sht-details.dgn		DRAWN -	REVISED -
		CHECKED -	REVISED -
		DATE -	REVISED -

**STATE OF ILLINOIS
DEPARTMENT OF TRANSPORTATION**

TRAFFIC BARRIER TERMINAL TYPE 3 & 3A

SCALE: SHEET NO. OF SHEETS STA. TO STA.

F.A. RTE.	SECTION	COUNTY	TOTAL SHEETS	SHEET NO.
VAR.	*	VAR.	43	17
CONTRACT NO. 66C76				
FED. ROAD DIST. NO. ILLINOIS FED. AID PROJECT				