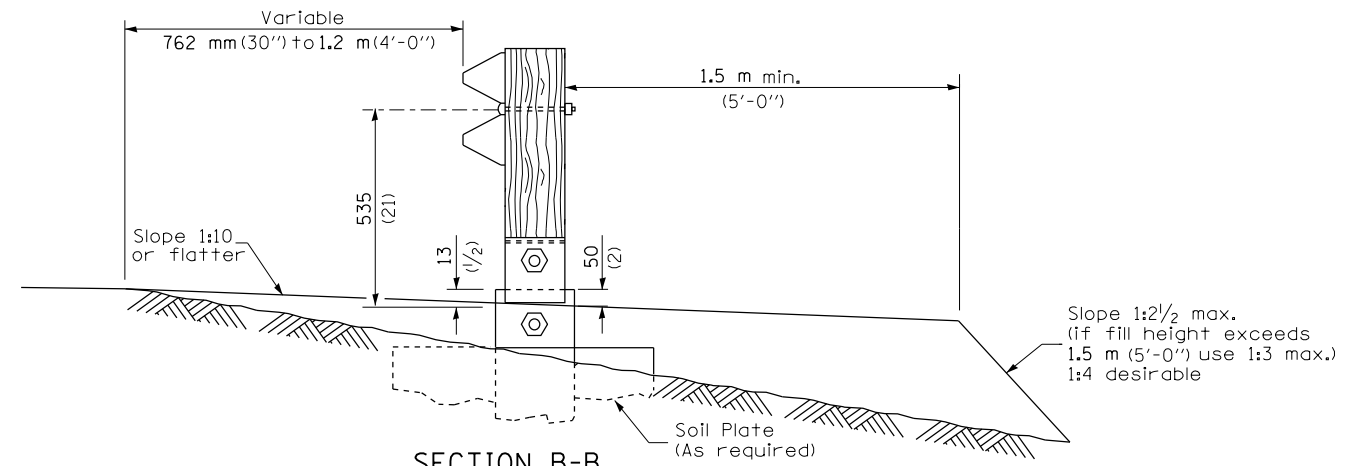


**SHOULDER WIDENING TRANSITION
FOR FLARED TERMINAL**



SECTION B-B
(End section omitted for clarity.)

• D-3 HIGHWAY DAMAGE REPAIR 2014

FILE NAME =	USER NAME = corcoranlm	DESIGNED -	REVISED -
et:\pw\work\p\dot\corcoranlm\d0329287\066676-sht-details.dgn		DRAWN -	REVISED -
	PLOT SCALE = 100.0000' / in.	CHECKED -	REVISED -
	PLOT DATE = 3/25/2013	DATE -	REVISED -

**STATE OF ILLINOIS
DEPARTMENT OF TRANSPORTATION**

PRE-MGS EFFECTIVE 4-1-06			
SHOULDER WIDENING FOR TYPE 1 (SPECIAL) GUARDRAIL TERMINALS			
STANDARD 630301-03			
<small>(Sheet 2 of 2)</small>			
SCALE:	SHEET NO.	OF SHEETS	STA. TO STA.

F.A. RTE.	SECTION	COUNTY	TOTAL SHEETS	SHEET NO.
VAR.	*	VAR.	43	30
FED. ROAD DIST. NO.			ILLINOIS FED. AID PROJECT	
			CONTRACT NO. 66C76	