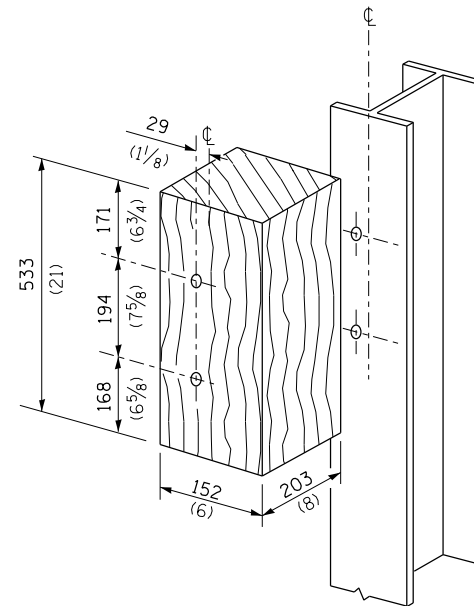
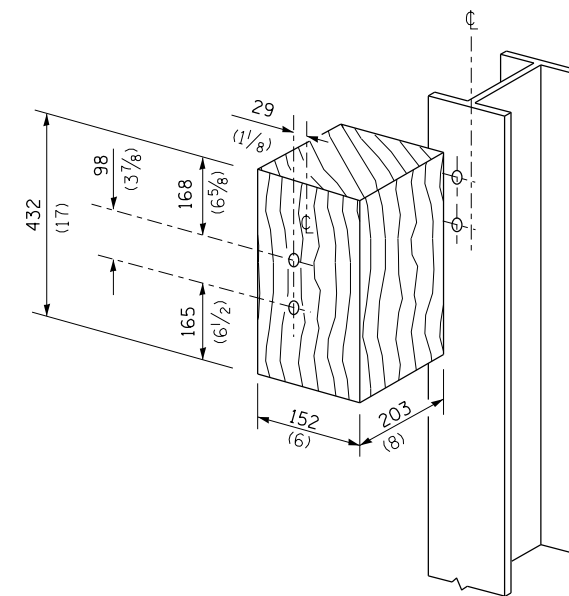


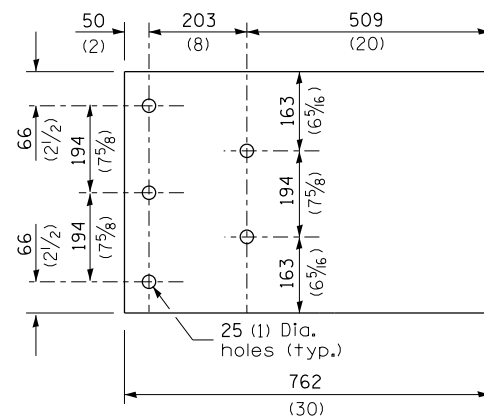
THRIE BEAM END SHOE DETAIL



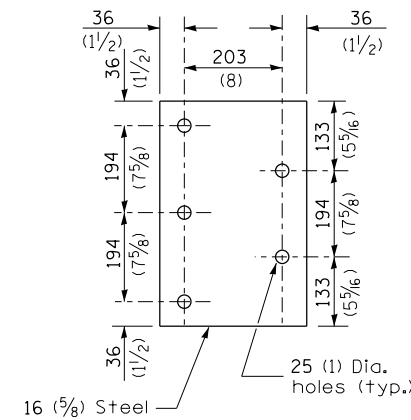
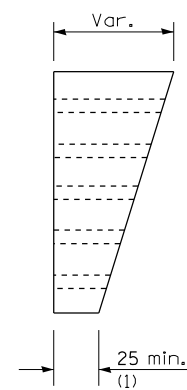
POSTS 1-11 WOOD BLOCKOUT DETAIL



POST 12 WOOD BLOCKOUT DETAIL



PARAPET WOOD BLOCK-OUT DETAIL



PARAPET STEEL BEARING PLATE DETAIL

(5 each individual 125x125x16 (5x5x5/8) steel plates with centered 25 (1) holes may be substituted for the plate shown.)

FILE NAME =	USER NAME = corcoranlm	DESIGNED -	REVISED -
ei:\pw_work\p\dot\corcoranlm\d0329287\066676-sht-details.dgn		DRAWN -	REVISED -
	PLOT SCALE = 100.0000' / in.	CHECKED -	REVISED -
	PLOT DATE = 3/25/2013	DATE -	REVISED -

STATE OF ILLINOIS  
DEPARTMENT OF TRANSPORTATION

PRE-MGS EFFECTIVE 4-1-06  
TRAFFIC BARRIER TERMINAL, TYPE 6  
STANDARD 631031-05

Sheet 3 of 3

SCALE: SHEET NO. OF SHEETS STA. TO STA.

• D-3 HIGHWAY DAMAGE REPAIR 2014				
F.A. RTE.	SECTION	COUNTY	TOTAL SHEETS	SHEET NO.
VAR.	*	VAR.	43	35
			CONTRACT NO. 66C76	
FED. ROAD DIST. NO. ILLINOIS FED. AID PROJECT				