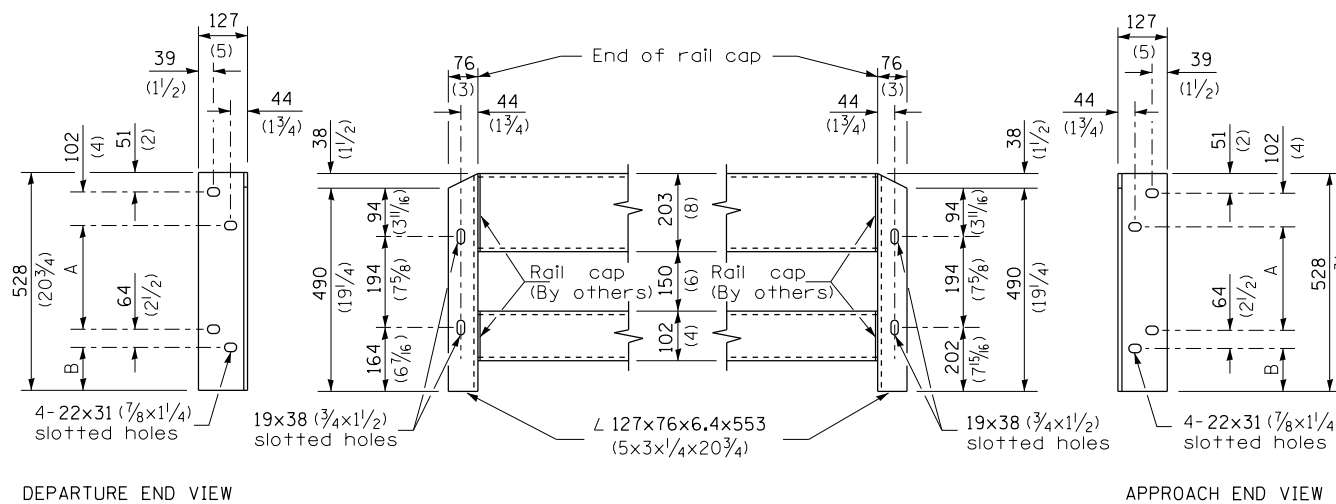
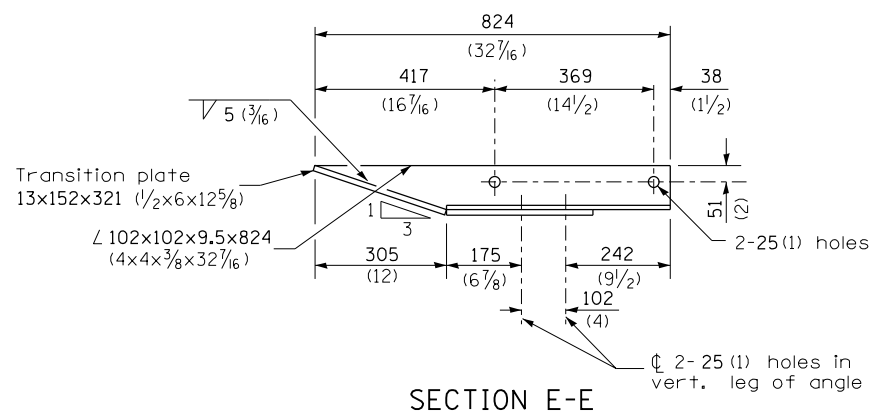
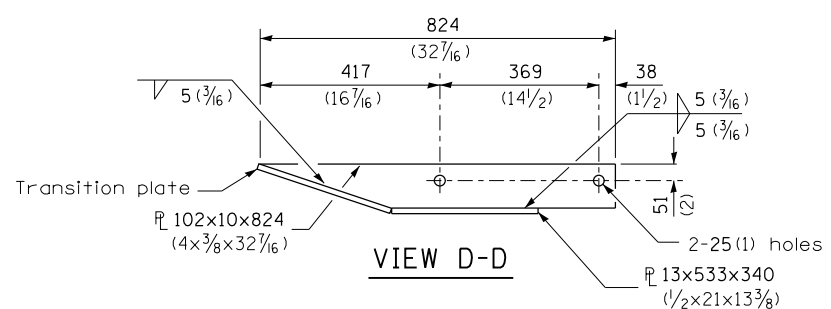


- \varnothing 4-25 (1) holes for 22 (7/8) H.S. bolts and nuts
- ⊗ Drill and tap 3 holes for 22 (7/8) H.S. bolts.

LEGEND

Dimensions	A	B
For Curb Mounted Rail	222 (8 3/4)	89 (3 1/2)
For Side Mounted Rail	247 (9 3/4)	64 (2 1/2)

GUARDRAIL CONNECTION PLATE ASSEMBLY DETAILS
(Mirror for opposite end)



CONNECTION ANGLES

(Install angles to rail caps using 19 (5/8) washers and self-locking nuts or nuts and jam nuts, to be provided by others)

FILE NAME =	USER NAME = corcoranlm	DESIGNED -	REVISED -
e:\pwwork\pwwork\corcoranlm\d0329287\066676-shr-details.dgn		DRAWN -	REVISED -
		CHECKED -	REVISED -
		DATE -	REVISED -

STATE OF ILLINOIS
DEPARTMENT OF TRANSPORTATION

PRE-MGS EFFECTIVE 4-1-06
TRAFFIC BARRIER TERMINAL, TYPE 6A
STANDARD 631032-02

Sheet 3 of 3

SCALE:	SHEET NO.	OF SHEETS	STA.	TO STA.
--------	-----------	-----------	------	---------

F.A. RTE.	SECTION	COUNTY	TOTAL SHEETS	SHEET NO.
VAR.	*	VAR.	43	38
CONTRACT NO. 66C76				
ILLINOIS FED. AID PROJECT				