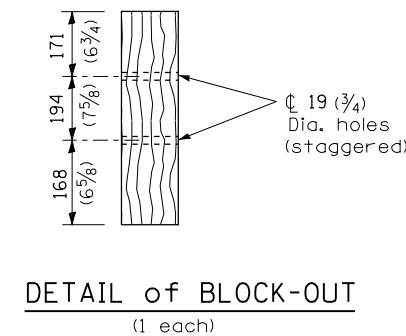
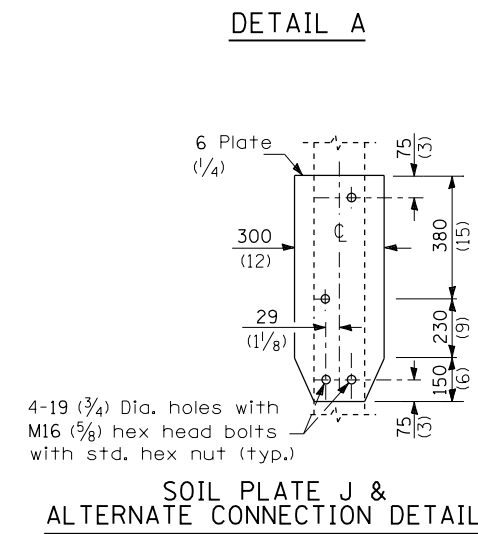
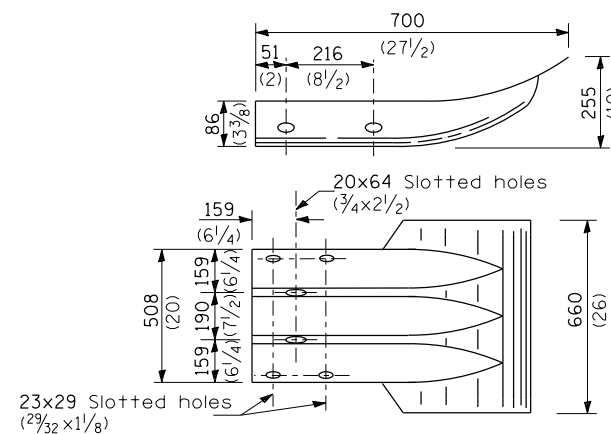
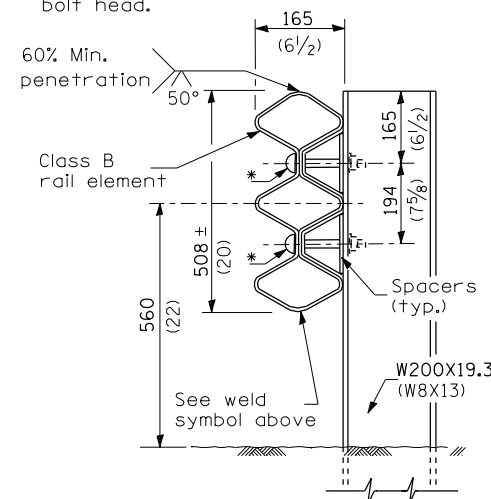


* 19 (3/4) Dia. holes for M16 (5/8) bolts with plate washer F under bolt head.



GENERAL NOTES

See Standard 509001 and 630001 for details of guardrail elements not shown.

The type 12 terminal shall be installed after the posts for the bridge retrofit rail have been located as shown on Standard 509001.

All dimensions are in millimeters (inches) unless otherwise shown.

FILE NAME =	USER NAME = corcoranm	DESIGNED -	REVISED -	STATE OF ILLINOIS DEPARTMENT OF TRANSPORTATION	PRE-MGS EFFECTIVE 4-1-06 TRAFFIC BARRIER TERMINAL TYPE 12 STANDARD 631056-01	F.A. RTE.	SECTION	COUNTY	TOTAL SHEETS	SHEET NO.	
et:\pw_work\pwidot\corcoranm\d0329287\066676-sht-details.dgn	PLOT SCALE = 100.0000' / in.	DRAWN -	REVISED -			VAR.	*	VAR.	43	43	
	PLOT DATE = 3/25/2013	CHECKED -	REVISED -			CONTRACT NO. 66C76					
		DATE -	REVISED -			FED. ROAD DIST. NO.	ILLINOIS FED. AID PROJECT				