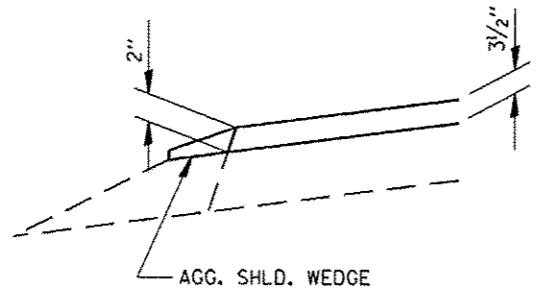
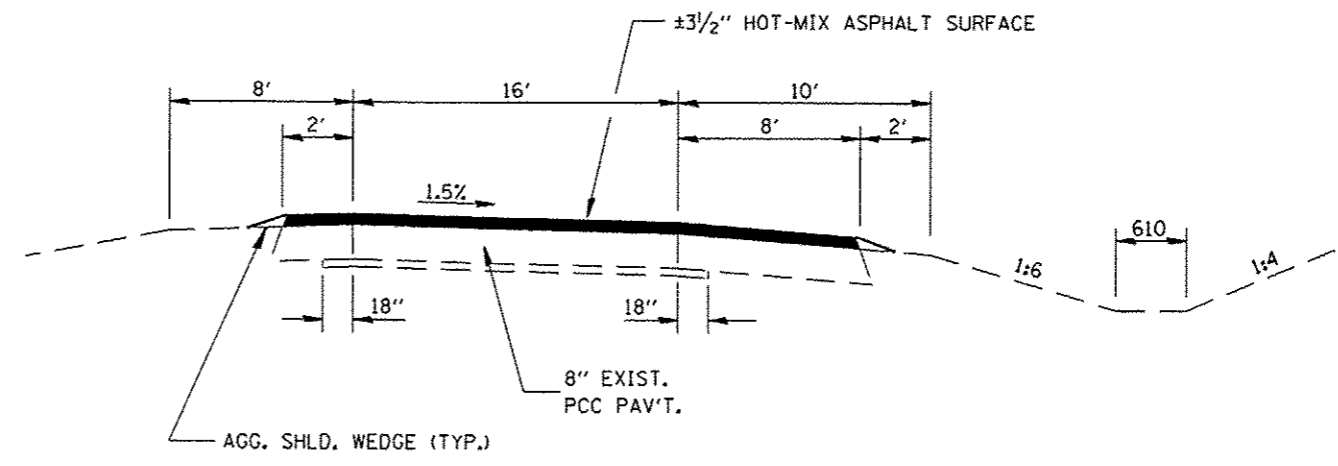


TYPICAL SECTION



OUTSIDE SHOULDERS



TYPICAL SECTION THRU RAMPS

FILE NAME =	USER NAME = potelyj	DESIGNED - RW	REVISED -
c:\pvc\work\pavdot\potelyj\033598\0366	93-shr-details.dgn	DRAWN - RW	REVISED -
	PLOT SCALE = 1/80.0000' / in.	CHECKED -	REVISED -
	PLOT DATE = 4/23/2013	DATE -	REVISED -

STATE OF ILLINOIS
DEPARTMENT OF TRANSPORTATION

SCALE:		SHEET NO. 1 OF 1 SHEETS	STA.	TO STA.
--------	--	-------------------------	------	---------

F.A.J. RTE.	SECTION	COUNTY	TOTAL SHEETS	SHEET NO.
57	03 PATCHING 2014-5	FORD	16	4
CONTRACT NO. 66C93				
ILLINOIS FED. AID PROJECT				