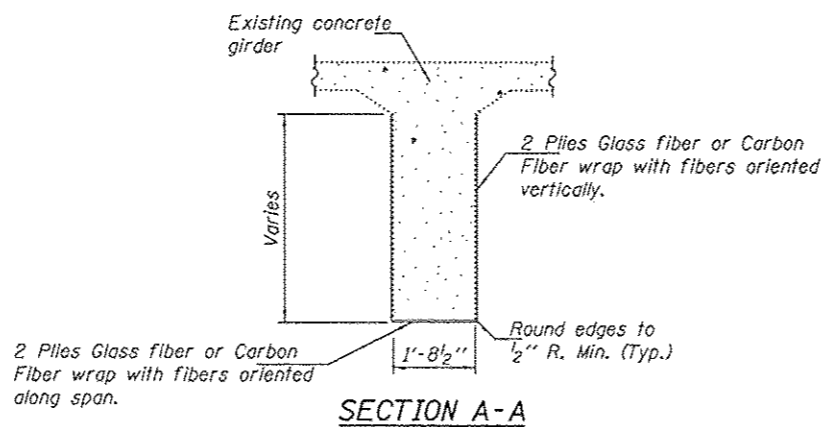
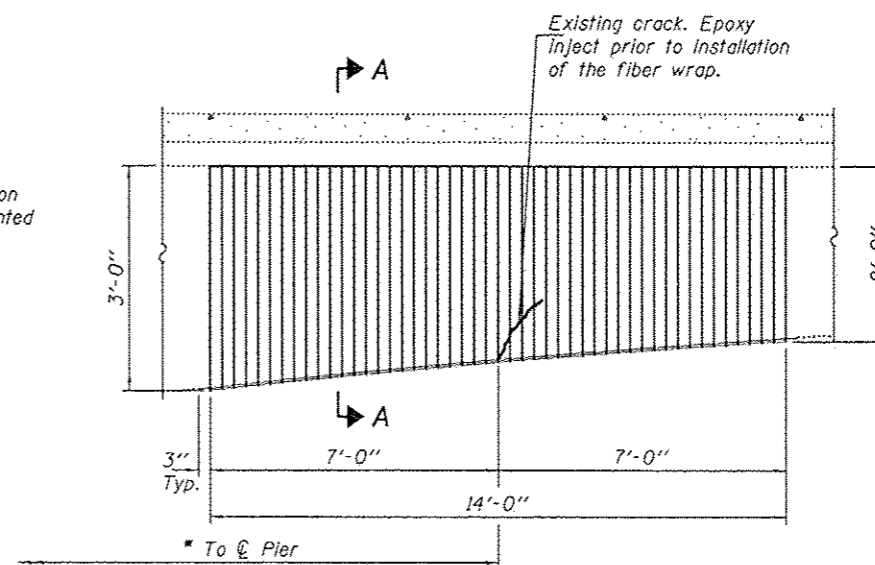


**PLAN**

Ⓐ - Area of Fiber wrap repair.



**SECTION A-A**



**CONCRETE GIRDER ELEVATION**

**FIBER WRAP REPAIR DETAILS**

**TOTAL BILL OF MATERIAL**

ITEM	UNIT	QUANTITY
Fiber Wrap	Sq. Ft.	322
Epoxy Crack Injection	Foot	20



EXPIRES 11-30-2014

⚠ SHEET ADDED 6-4-13

DESIGNED: <i>Victor Velazquez</i>	EXAMINED: <i>Timothy A. Adark</i>	DATE: MAY 24, 2013
CHECKED: <i>John Bal</i>	PASSED: <i>Carl Puzey</i>	SHEET ADDED: 5/24/2013 VHV
DRAWN: <i>boliva</i>	CHECKED: <i>JAP</i>	REVISED:

STATE OF ILLINOIS  
DEPARTMENT OF TRANSPORTATION

PRE STAGE I CONSTRUCTION  
F.A.P. RT. 673 (NB IL 116) OVER TEN MILE CREEK  
SN 090-0065

F.A.P. RTE. 673	SECTION 1208-11BR	COUNTY TAZEWELL	TOTAL SHEETS 89	SHEET NO. 43A
CONTRACT NO. 68671				ILLINOIS FED. AID PROJECT

SHEET NO. 1 OF 1 SHEETS