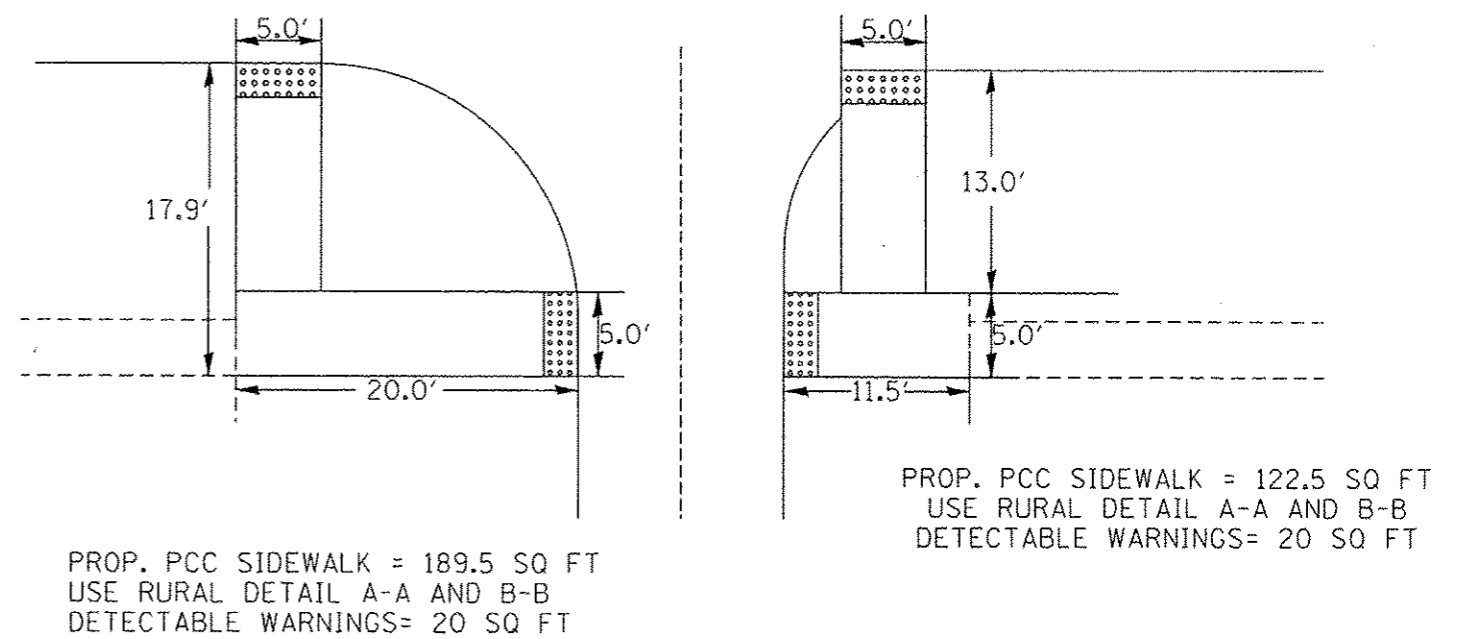
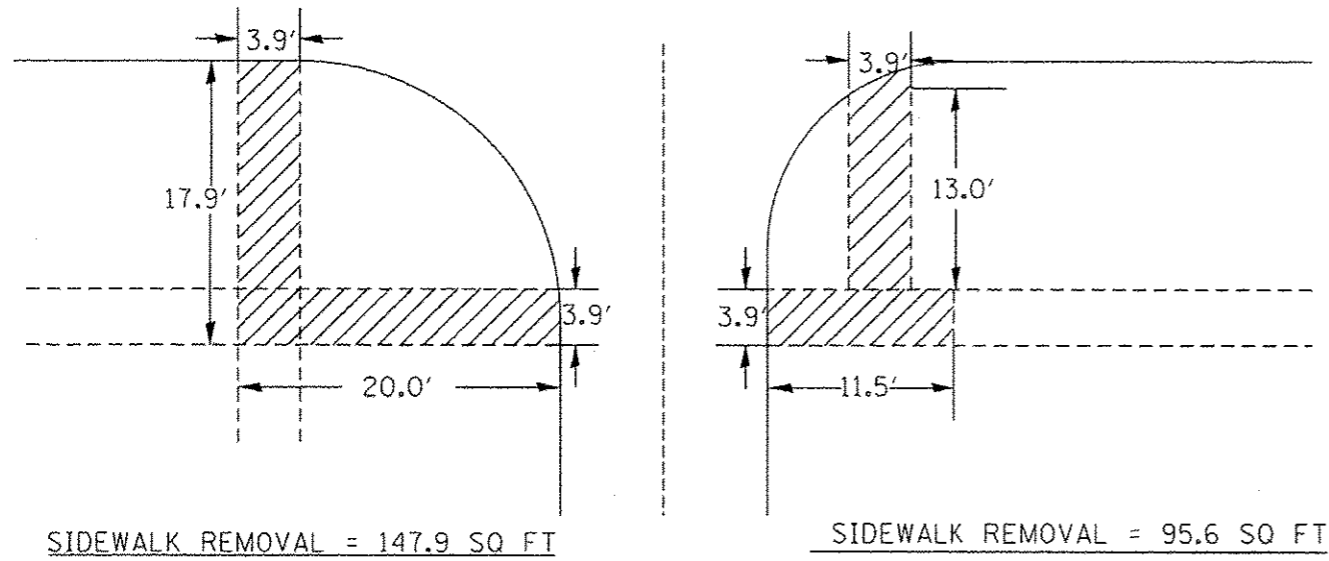
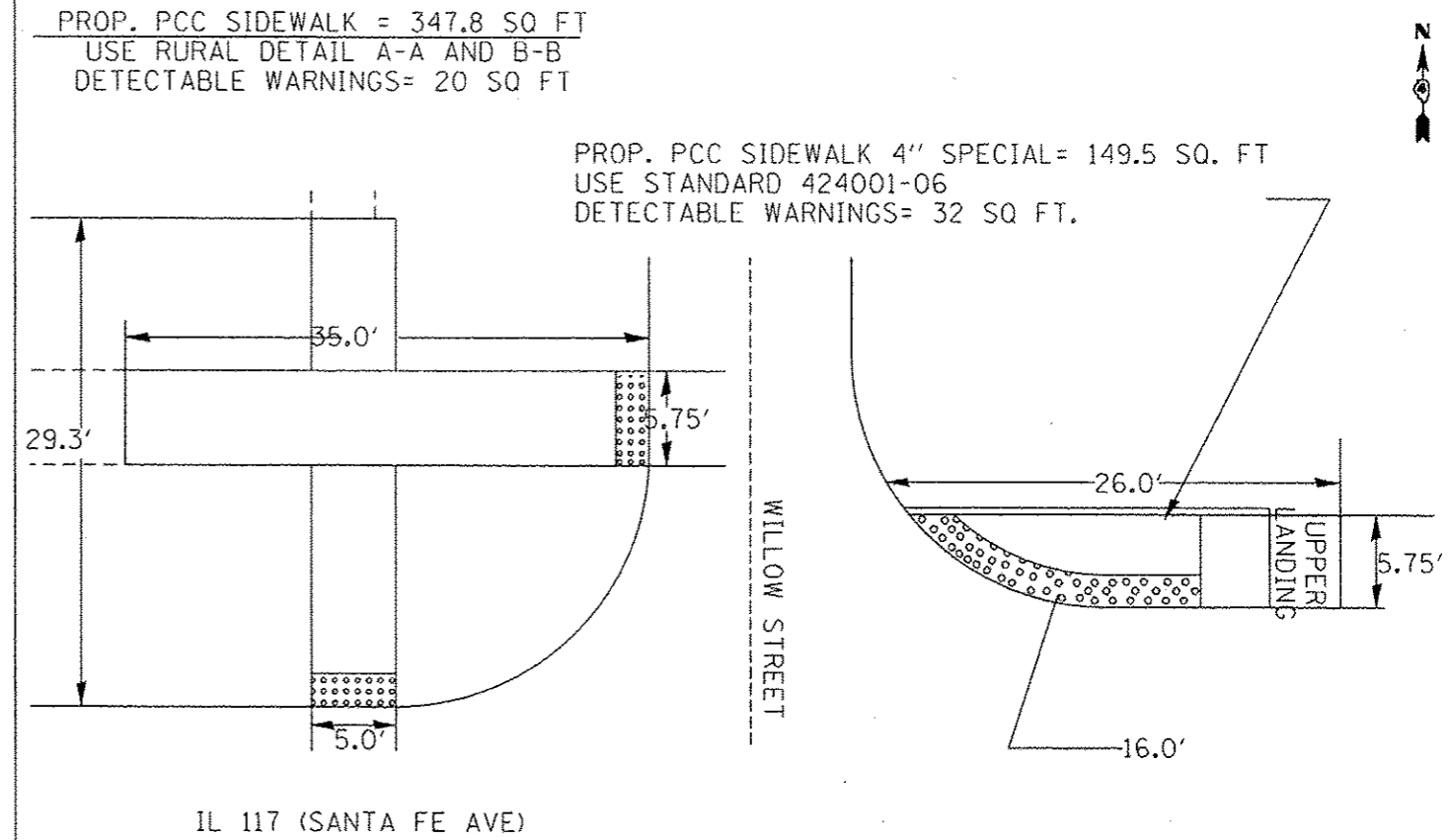
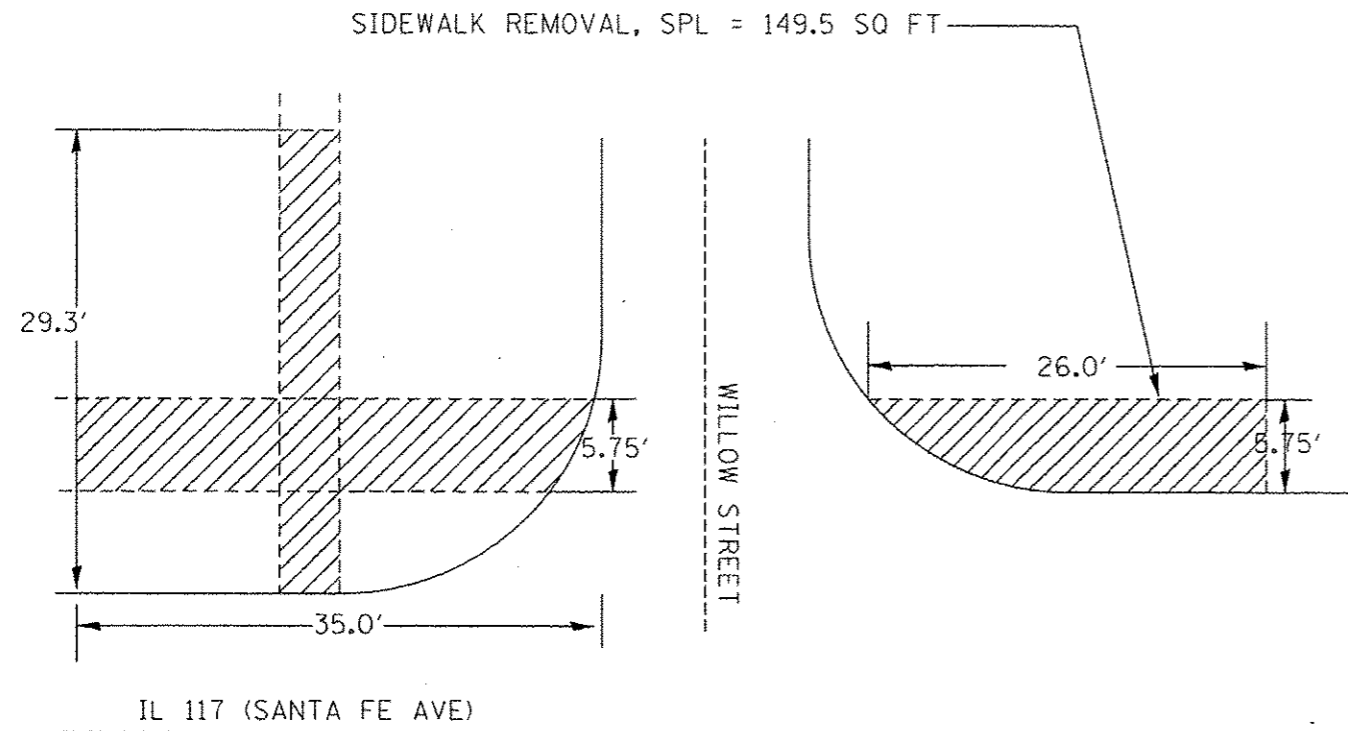


\*USE STANDARD DETECTABLE WARNING W/ DIMENSIONS OF 5' X '2, UNLESS OTHERWISE NOTED.



EXISTING

PROPOSED

REMOVAL

REVISIED SHEET 6-4-13

DRAWING NOT TO SCALE

FILE NAME : 68982.dgn	USER NAME : ghdineam	DESIGNED -	REVISED -	<b>STATE OF ILLINOIS DEPARTMENT OF TRANSPORTATION</b>	<b>SIDEWALK DETAILS (IL 117/SANTA FE) AND WILLOW ST.)</b>			F.A.S. RTE.	SECTION	COUNTY	TOTAL SHEETS	SHEET NO.
Default	PLOT SCALE : 48.0000' / in.	DRAWN -	REVISED -					2361	101 RS-4; 102 RS-5	MARSHALL	51	23
	PLOT DATE : 4/30/2013	CHECKED -	REVISED -					SCALE: SHEET 23 OF 51 SHEETS STA. 557+50 TO STA. 557+70			CONTRACT NO. 68982	
		DATE -	REVISED -					ILLINOIS FED. AID PROJECT				