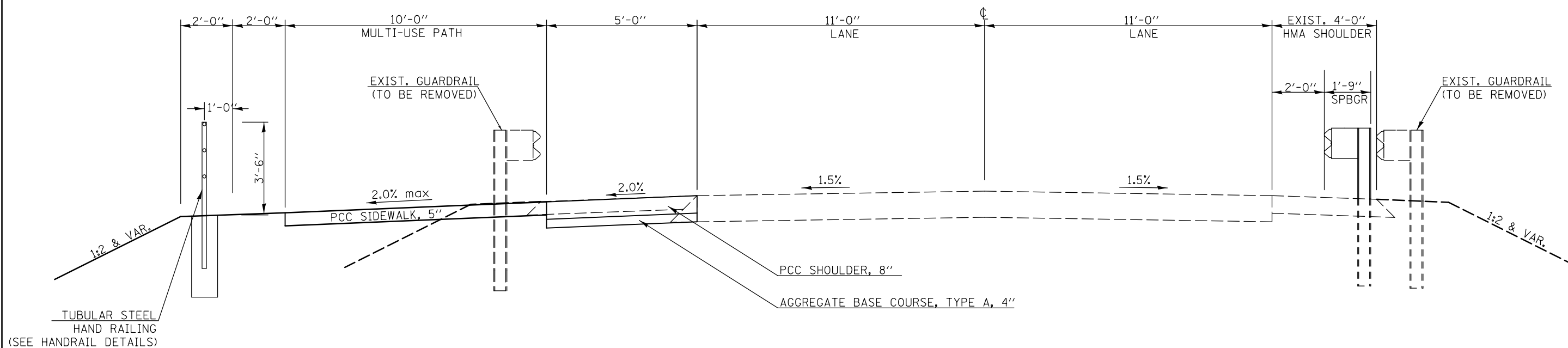


EXISTING ROADWAY CROSS SECTION (CH 50)

SEE EXISTING ROADWAY CROSS SECTION ①

② PROPOSED ROADWAY CROSS SECTION (CH 50)

① STA. 13+75.00 TO STA. 14+98.86 ③



FILE NAME =	USER NAME = ceerlockbm	DESIGNED BMC	REVISED -
ei:\pwork\pwork\ceerlockbm\d0208368\0570700-sh-typical.dgn		DRAWN BMC	REVISED -
	PLOT SCALE = 40.0000' / in.	CHECKED -	REVISED -
	PLOT DATE = 11/9/2012	DATE - 04-24-12	REVISED -

STATE OF ILLINOIS
DEPARTMENT OF TRANSPORTATION

TYPICAL CROSS SECTIONS
CH 50 - LAKE OF THE WOODS RD.

SCALE: N/A SHEET NO. 3 OF 12 SHEETS STA. - TO STA. -

F.A.I. RTE.	SECTION	COUNTY	TOTAL SHEETS	SHEET NO.
74	10-4BR	CHAMPAIGN	290	16
CONTRACT NO. 70700				
ILLINOIS FED. AID PROJECT				