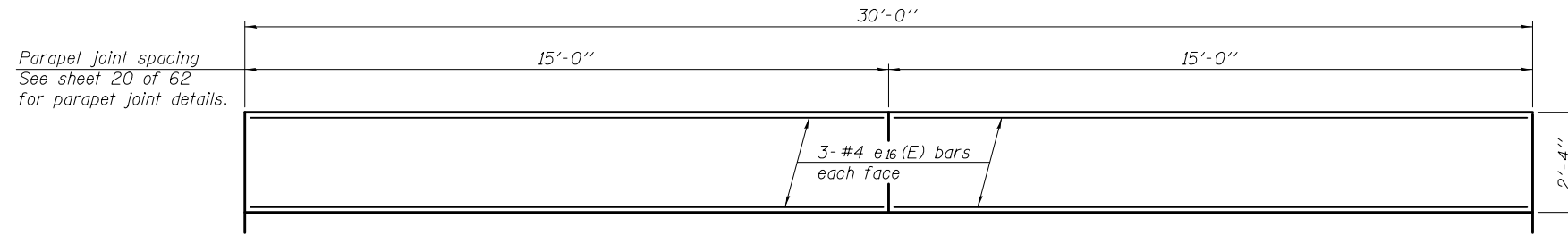
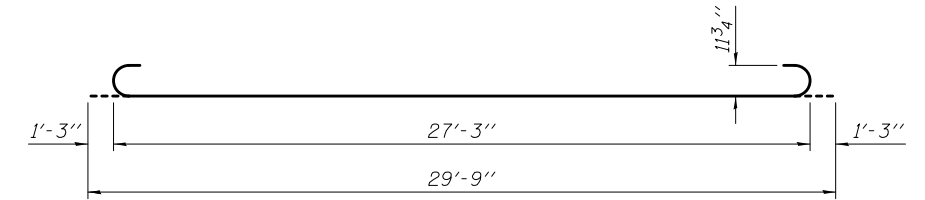


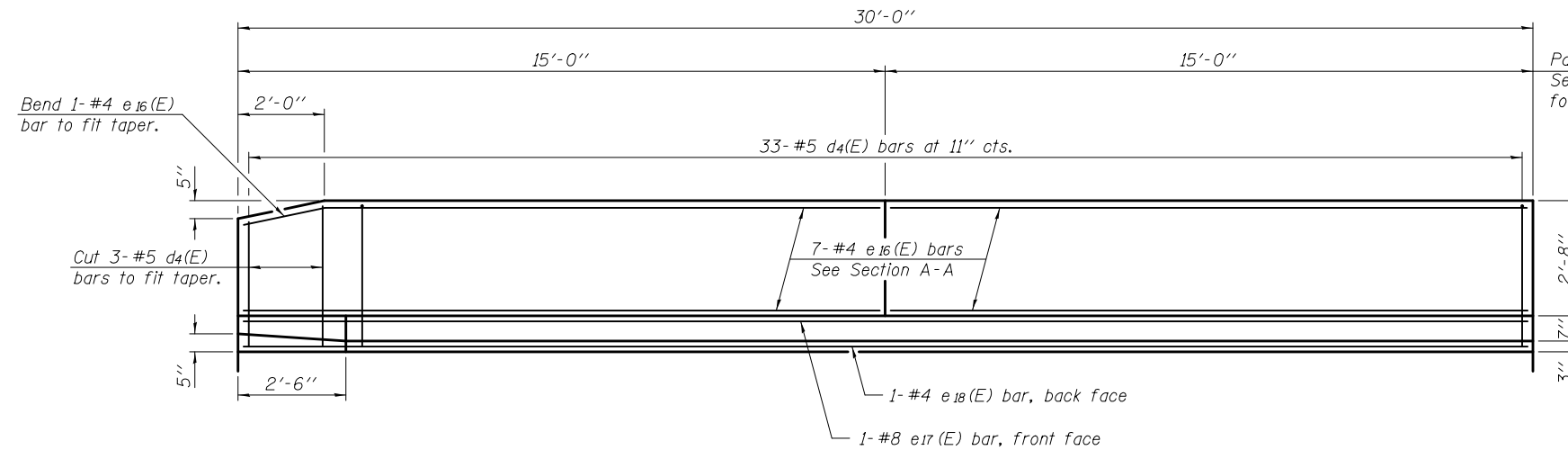
Notes:  
 Approach slab and parapet concrete shall be paid for as Concrete Superstructure.  
 Approach footing concrete shall be paid for as Concrete Structures.  
 Reinforcement shall be paid for as Reinforcement Bars, Epoxy Coated.  
 For  $v_{B1}(E)$  bar details, see sheet 23 of 62.  
 The approach footing maximum applied service bearing pressure ( $Q_{max}$ ) = 2.0 ksf.  
 Cost of excavation for approach footing included with Concrete Structures.  
 See sheet 20 of 62 for  $d_4(E)$  and  $d_6(E)$  bar bending diagrams.  
 For additional parapet details, see sheet 30 of 62.  
 Bars indicated thus 25 x 2-#4 etc. indicates 25 lines of bars with 2 lengths per line.



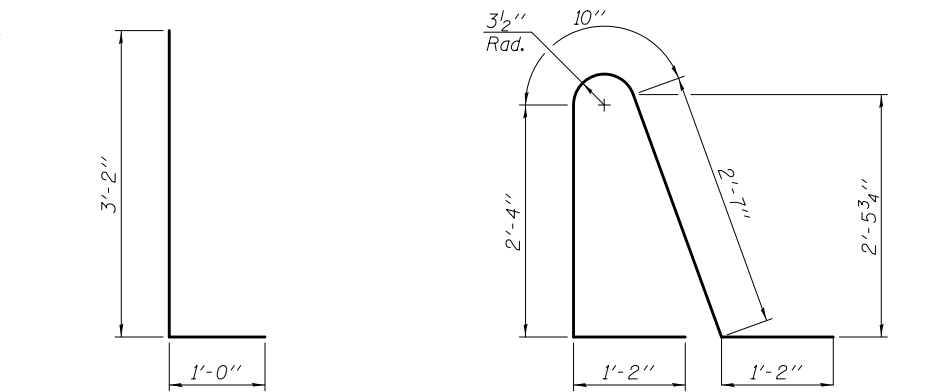
**VIEW C-C**  
 (Inside elevation of west sidewalk parapet wall)



**BAR  $b_3(E)$**

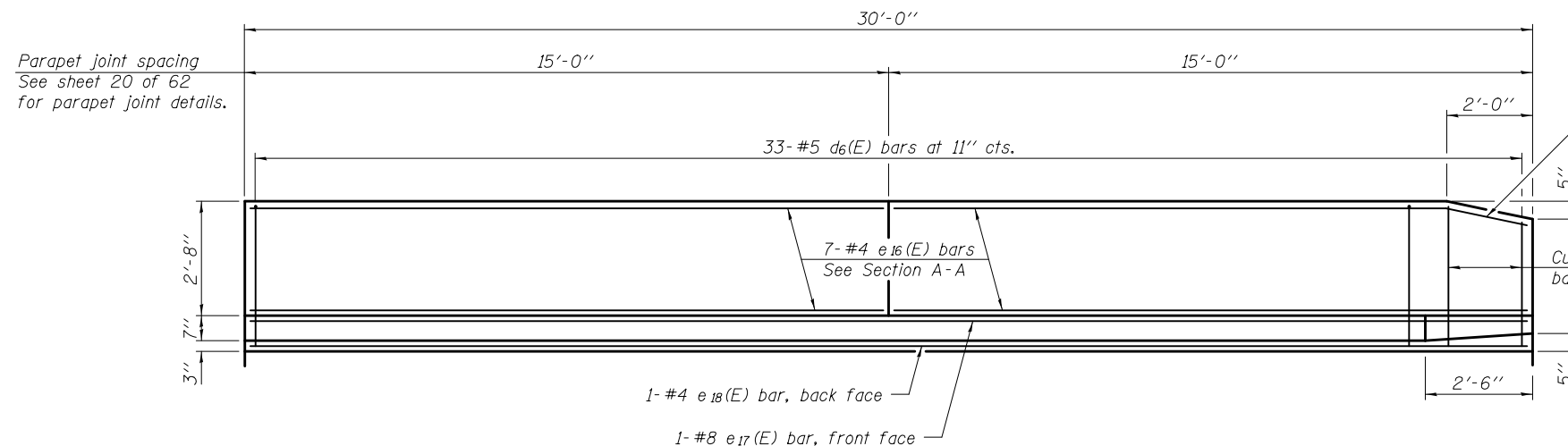


**VIEW D-D**  
 (Inside elevation of west roadway parapet)

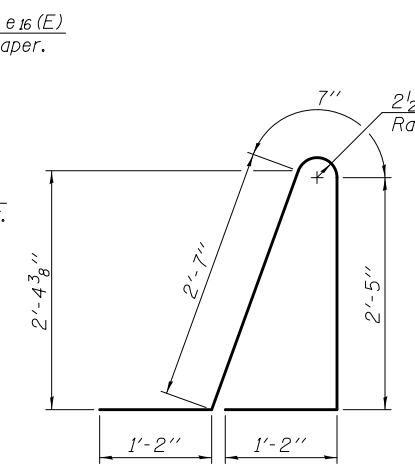


**BARS  $d_7(E)$  &  $d_8(E)$**

**BAR  $d_9(E)$**



**VIEW E-E**  
 Inside elevation of east roadway parapet



**BAR  $d_{10}(E)$**

**SOUTH APPROACH SLAB  
 BILL OF MATERIAL**

Bar	No.	Size	Length	Shape
$a_2(E)$	50	#6	6'-6"	—
$a_4(E)$	50	#4	24'-0"	—
$a_5(E)$	46	#5	45'-8"	—
$a_6(E)$	6	#5	1'-6"	—
$b_3(E)$	108	#9	29'-9"	U
$b_4(E)$	39	#4	29'-8"	—
$d_4(E)$	33	#5	7'-2"	∧
$d_6(E)$	33	#5	6'-10"	∧
$d_7(E)$	30	#4	4'-2"	L
$d_8(E)$	30	#6	4'-2"	L
$d_9(E)$	33	#5	8'-1"	∧
$d_{10}(E)$	33	#5	7'-11"	∧
$e_{16}(E)$	40	#4	14'-8"	—
$e_{17}(E)$	2	#8	29'-8"	—
$e_{18}(E)$	2	#4	29'-8"	—
$t(E)$	94	#4	9'-8"	—
$w(E)$	40	#5	45'-8"	—
Concrete Superstructure			Cu. Yd.	80.2
Concrete Structures			Cu. Yd.	14.2
Reinforcement Bars, Epoxy Coated			Pound	19,600

(Sheet 3 of 3)

DESIGNED - DEWEY H. COULTAS	EXAMINED - <i>Jaime F. J. [Signature]</i>	DATE - FEBRUARY 25, 2013
CHECKED - NICHOLAS R. BARNETT	ACTING ENGINEER OF BRIDGE DESIGN	
DRAWN - MICHAEL B. MOSSMAN	PASSED - <i>Carl [Signature]</i>	REVISED
CHECKED - D.H.C. / N.R.B.	ACTING ENGINEER OF BRIDGES AND STRUCTURES	REVISED

**STATE OF ILLINOIS  
 DEPARTMENT OF TRANSPORTATION**

**SOUTH BRIDGE APPROACH SLAB DETAILS  
 STRUCTURE NO. 010 - 0289**

SHEET NO. 31 OF 62 SHEETS

F.A.I. RTE.	SECTION	COUNTY	TOTAL SHEETS	SHEET NO.
74	10-4BR	CHAMPAIGN	290	116
ILLINOIS FED. AID PROJECT			CONTRACT NO. 70700	