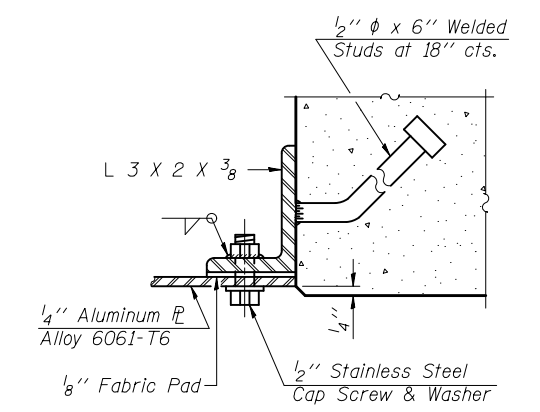


DOOR ELEVATION

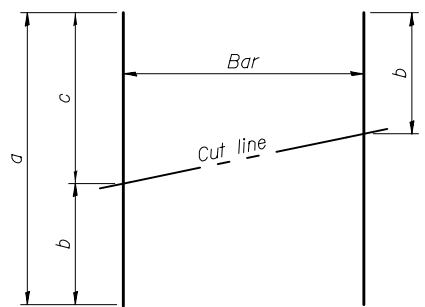
Cost of door and frame are included with Concrete Structures.

BILL OF MATERIAL

Bar	No.	Size	Length	Shape
h70(E)	44	#5	42'-4"	
h71(E)	7	#5	17'-2"	
h72(E)	100	#5	5'-0"	
h73(E)	16	#5	4'-6"	
h74(E)	3	#4	18'-10"	
h75(E)	26	#5	30'-0"	
h76(E)	12	#5	37'-0"	
h77(E)	12	#5	39'-0"	
h78(E)	8	#8	39'-0"	
h79(E)	4	#8	30'-9"	
n70(E)	102	#6	5'-8"	
p70(E)	9	#7	45'-11"	
s70(E)	41	#4	10'-1"	
s71(E)	20	#4	6'-2"	
s72(E)	18	#4	7'-0"	
t70(E)	70	#6	6'-4"	
t71(E)	47	#5	6'-4"	
v70(E)	90	#6	17'-6"	
v71(E)	45	#5	10'-3"	
v72(E)	43	#5	9'-0"	
v73(E)	68	#5	3'-0"	
v74(E)	6	#5	23'-1"	
v75(E)	26	#5	25'-3"	
v76(E)	22	#5	5'-9"	
v77(E)	6	#5	23'-3"	
v78(E)	26	#5	25'-9"	
v79(E)	22	#5	6'-0"	
v80(E)	8	#5	3'-0"	
w70(E)	14	#5	46'-4"	
Structure Excavation	Cu. Yd.		172	
Concrete Structures	Cu. Yd.		140.2	
Reinforcement Bars, Epoxy Coated	Pound		14,870	
Furnishing Metal Shell Piles, 12" x 0.25"	Foot		705	
Driving Piles	Foot		705	
Test Pile, Metal Shells	Each		2	
Concrete Sealer	Sq. Ft.		1682	
Pile Shoes	Each		22	



SECTION J-J



FIELD CUTTING DIAGRAM

* Order h75(E) and v78(E) bars full length. Cut to fit and use the remainder of bars in opposite face. Cut reinforcement to miss access door.

Bar	a	b	c
h75(E)	30'-0"	3'-0"	27'-0"
v78(E)	25'-9"	6'-6"	19'-3"

BARS h72(E) & h73(E)

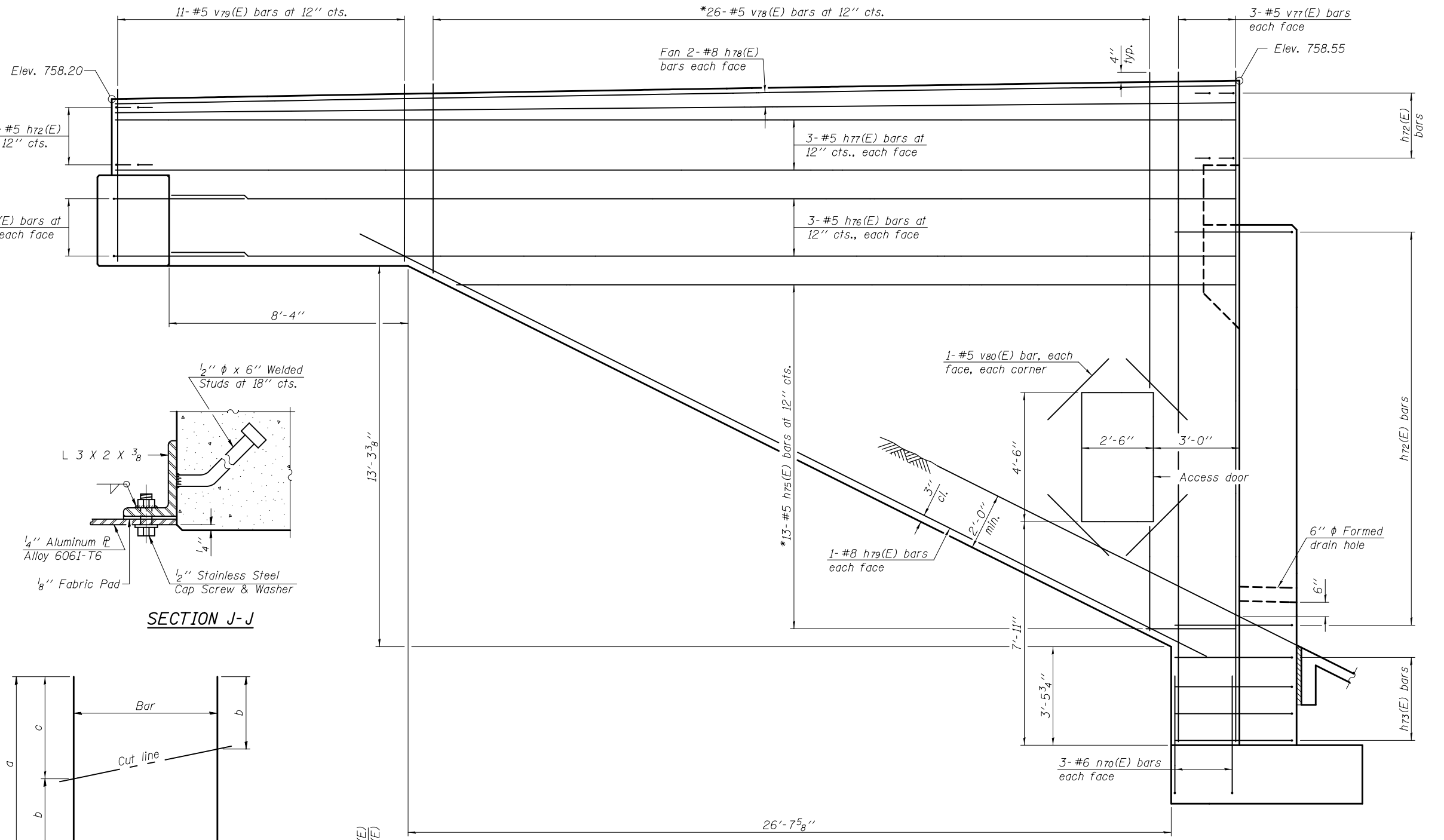
BAR n70(E)

BAR s70(E)

BARS s71(E) & s72(E)

BAR v71(E)

BAR v72(E)



VIEW K-K (West curtain wall)

