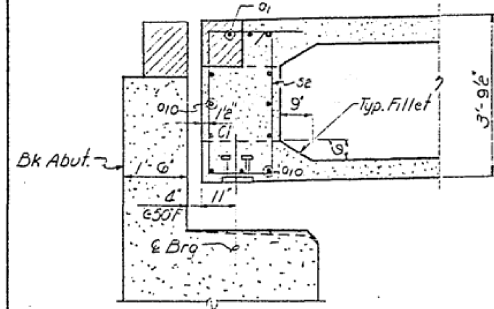
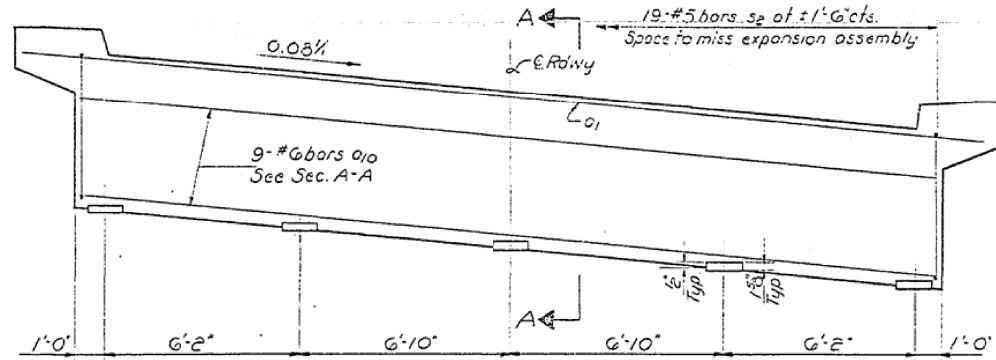


STATE OF ILLINOIS
DEPARTMENT OF PUBLIC WORKS & BUILDINGS
DIVISION OF HIGHWAYS

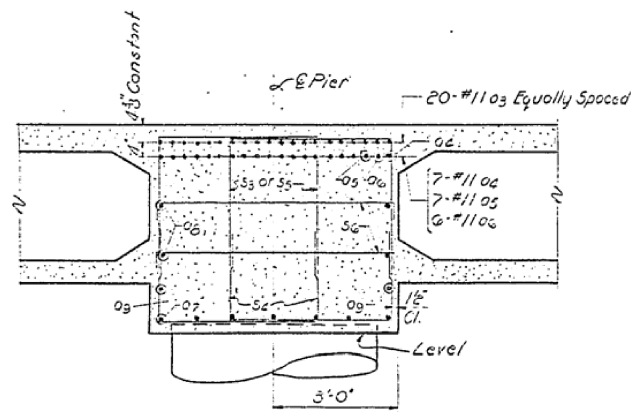
ROUTE NO.	SECTION	COUNTY	TOTAL SHEETS	SHEET NO.	SHEET NO. 7 18 SHEETS
F.A.R.T. 74	10-4 HB-2	CHAMPAIGN	34	13	
ILLINOIS FED. AID PROJECT					



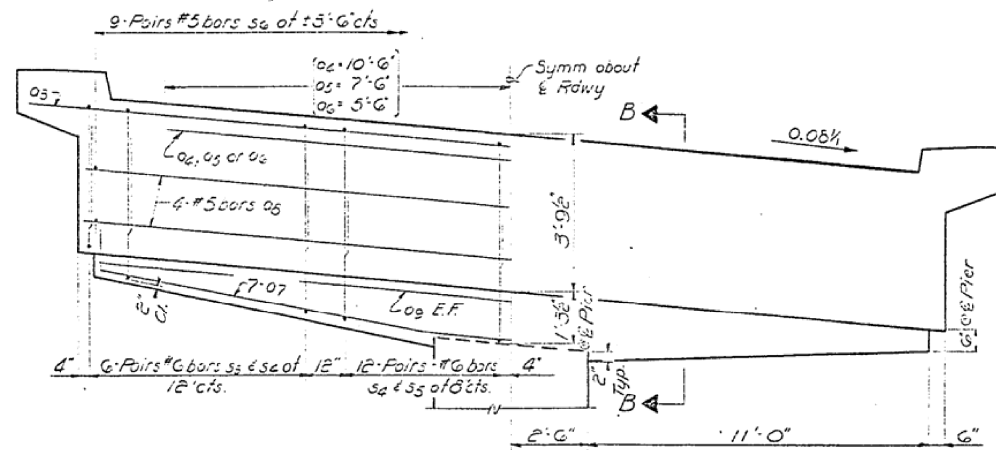
SECTION A-A



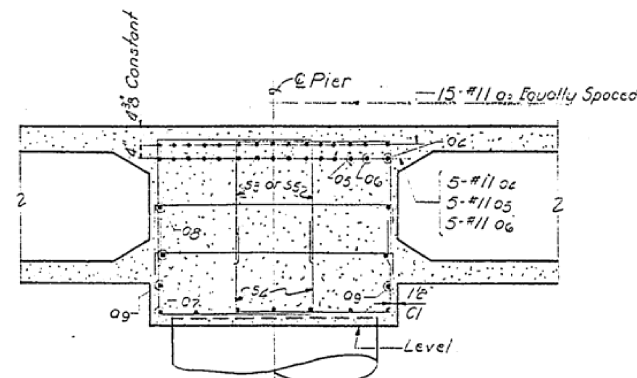
SECTION THRU END DIAPHRAGM AT ABUTMENTS



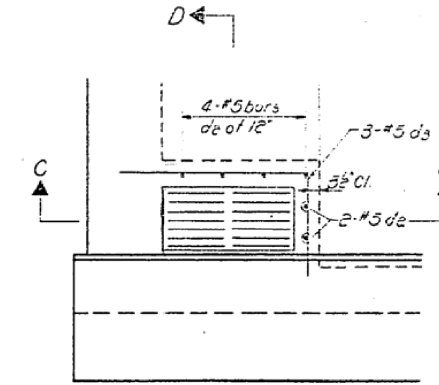
SECTION B-B
PIERS 2 & 3



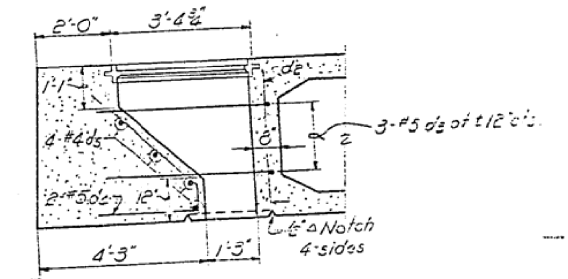
SECTION THRU PIER CAP



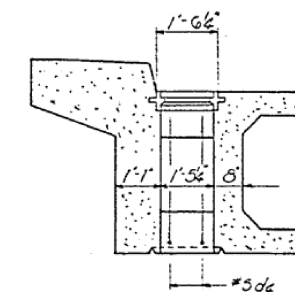
SECTION B-B
PIER 1



PLAN AT DRAIN



SECTION C-C



SECTION D-D

DESIGNED	James M. Pence
CHECKED	James Harting
DRAWN	H. E. Dickerson
CHECKED	JNP

EXAMINED	July 23 19 66
PASSED	
APPROVED	

END DIAPHRAGMS-PIER CAPS
DRAIN DETAILS
F.A.I.R.T. 74 SEC. 10-4HB-2
CHAMPAIGN COUNTY
STA. 1547+92.48

FILE NAME =	USER NAME = ceerlockbm	DESIGNED BMC	REVISED -	STATE OF ILLINOIS DEPARTMENT OF TRANSPORTATION	AS BUILT PLANS, SN 010-0157			F.A.I. R.T. 74	SECTION 10-4BR	COUNTY CHAMPAIGN	TOTAL SHEETS 290	SHEET NO. 154
et:\pw\work\p\midot\ceerlockbm\d0208368\0570700-sht-esbuilts.dgn.dgn	PLOT SCALE = 48.0000 / in.	DRAWN BMC	REVISED -		SCALE: N/A	SHEET NO. 7 OF 17 SHEETS	STA. -	TO STA. -	CONTRACT NO. 70700		ILLINOIS FED. AID PROJECT	
PLOT DATE = 11/9/2012	DATE 8-8-11	CHECKED -	REVISED -									
		REVISIONS										