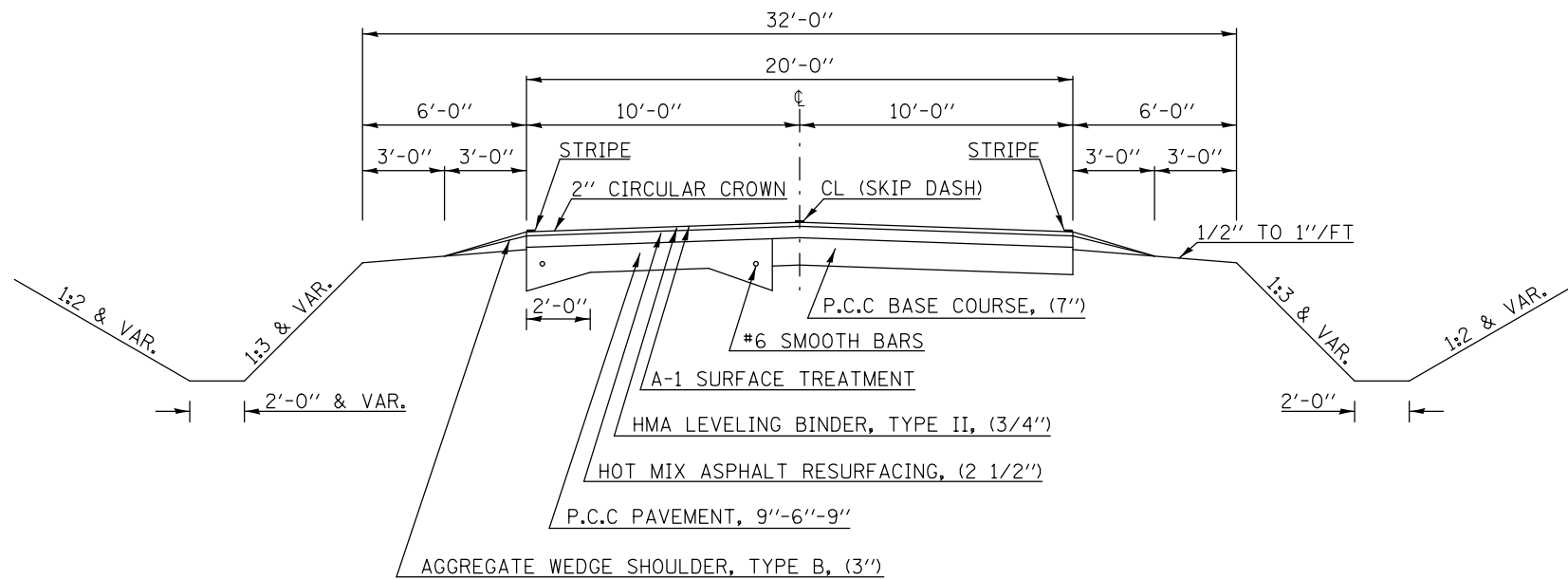
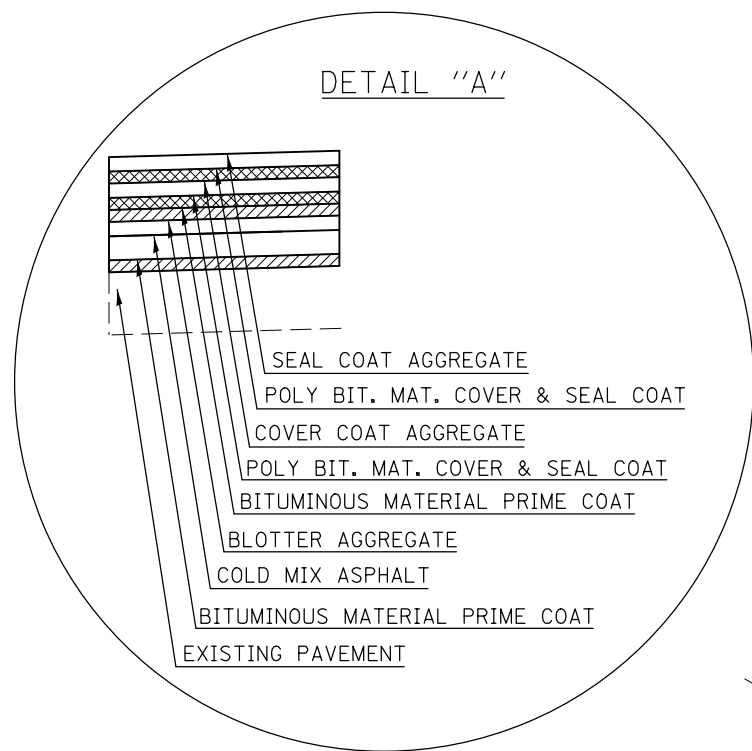


EXISTING TYPICAL CROSS SECTION ①

STATION	TO	STATION
700+53.50		703+19.43 (BK)
0+00.00 (AH)		172+07.00
201+03.00		302+95.00

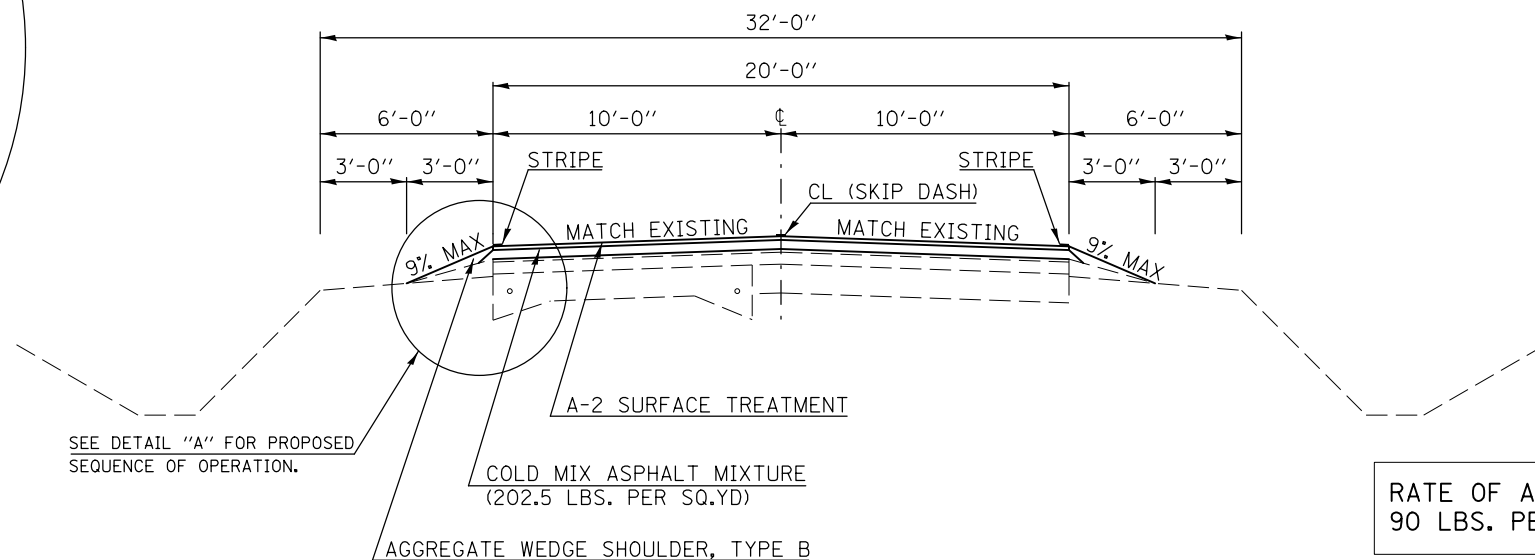


DETAIL "A"



PROPOSED TYPICAL CROSS SECTION ①

STATION	TO	STATION
700+53.50		703+19.43 (BK)
0+00.00 (AH)		172+07.00 ②
② 201+03.00		302+95.00



RATE OF APPLICATION FOR COLD MIX ASPHALT MIXTURE:
90 LBS. PER SQ. YD. PER INCH

FILE NAME =	USER NAME = avusuglob	DESIGNED -	REVISED -
ei:\pwork\pwork\avusuglob\d0333684\0570A15-sh-typical.dgn		DRAWN -	REVISED -
	PLOT SCALE = 48.0000' / in.	CHECKED -	REVISED -
#MODELNAME#	PLOT DATE = 3/21/2013	DATE -	REVISED -

STATE OF ILLINOIS
DEPARTMENT OF TRANSPORTATION

EXISTING AND PROPOSED
TYPICAL CROSS SECTIONS

SCALE: N/A SHEET 1 OF 2 SHEETS STA. ----- TO STA. -----

F.A.S. RTE.	SECTION	COUNTY	TOTAL SHEETS	SHEET NO.
525	(41,48,81)Q	CHAMPAIGN	28	06
CONTRACT NO. 70A15			ILLINOIS FED. AID PROJECT	