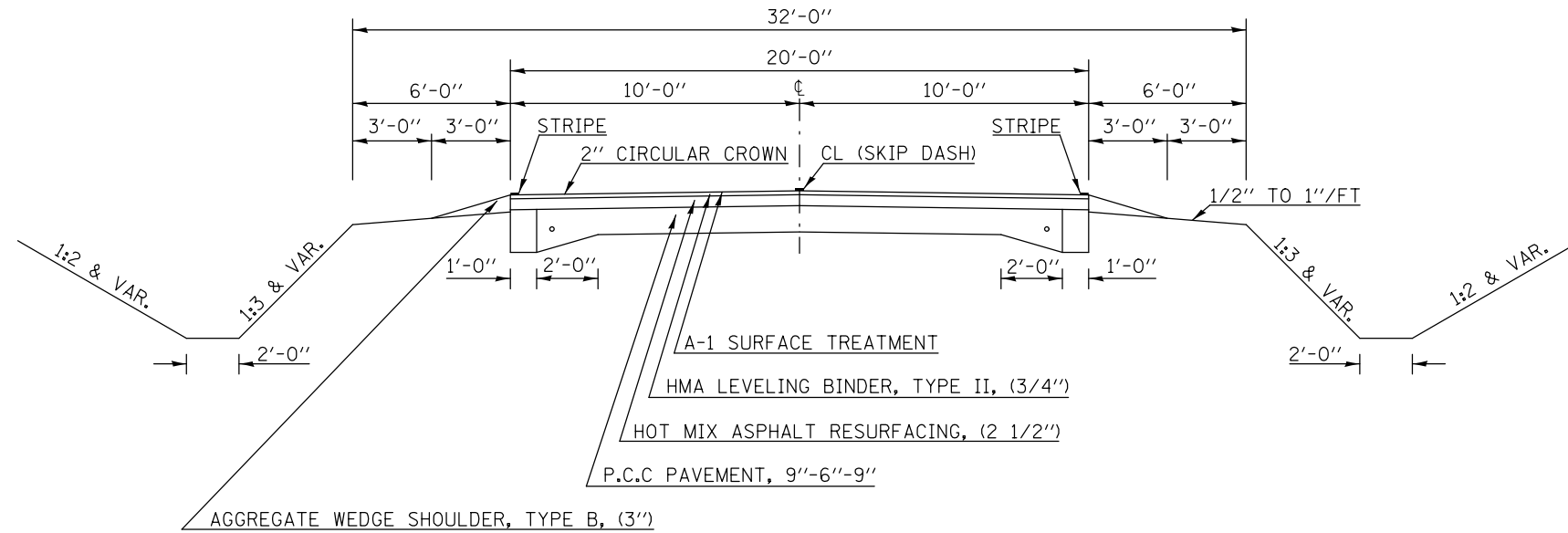


EXISTING TYPICAL CROSS SECTION ②

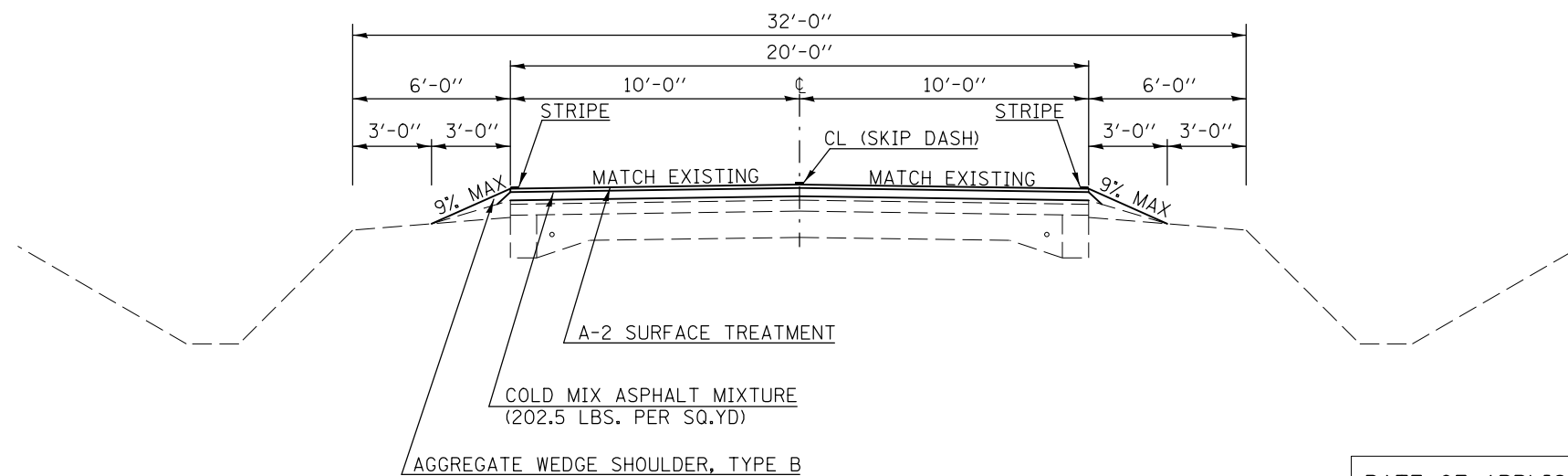
STATION TO STATION
172+07.00 201+03.00



PROPOSED TYPICAL CROSS SECTION ②

STATION TO STATION
① 172+07.00 201+03.00 ①

NOTE: BRIDGE OMMISION (SN 010-0250):
STA. 199+50.00 TO STA. 201+56.50



RATE OF APPLICATION FOR COLD MIX ASPHALT MIXTURE:
90 LBS. PER SQ. YD. PER INCH

FILE NAME =	USER NAME = avusuglob	DESIGNED -	REVISED -	STATE OF ILLINOIS DEPARTMENT OF TRANSPORTATION	EXISTING AND PROPOSED TYPICAL CROSS SECTIONS	F.A.S. RTE.	SECTION	COUNTY	TOTAL SHEETS	SHEET NO.	
et:\pwork\pwork\avusuglob\0333684\05	0A15-sh-typical.dgn	DRAWN -	REVISED -			525	(41,48,81)Q	CHAMPAIGN	28	07	
	PLOT SCALE = 40.0000' / in.	CHECKED -	REVISED -			CONTRACT NO. 70A15					
#MODELNAME#	PLOT DATE = 3/21/2013	DATE -	REVISED -			ILLINOIS FED. AID PROJECT					