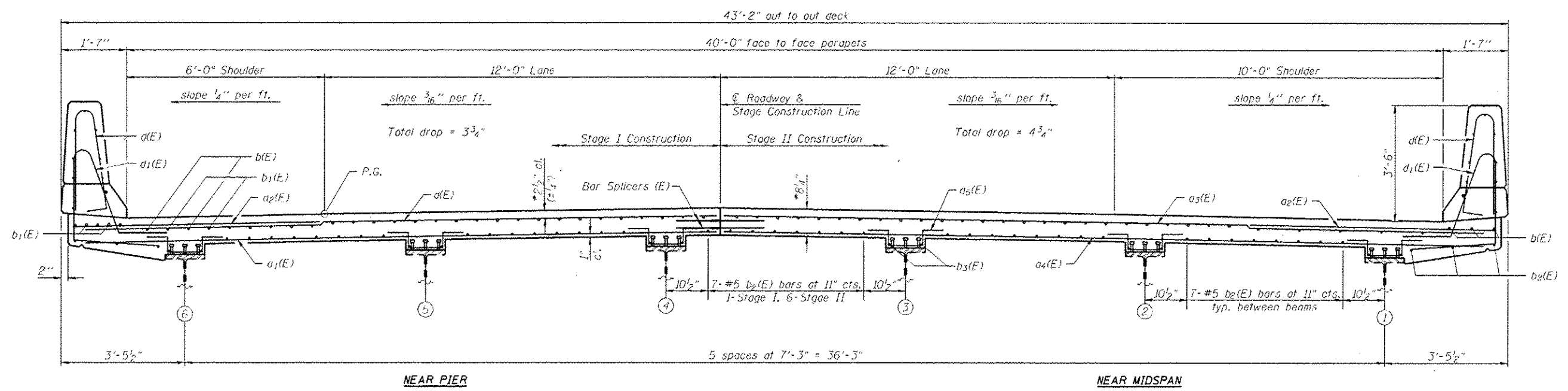


Notes:
 See Sheet 14 of 31 for superstructure details and Bill of Material.
 Bars indicated thus 20 x 3-#5 etc. indicates 20 lines of bars with 3 lengths per line.
 See Sheet 14 of 31 for parapet reinforcement.
 See Sheet 15 of 31 for Section A-A.

MINIMUM BAR LAP
 #5 bar = 2'-7"
 #6 bar = 3'-1"
 *Before grinding 1/4" max.

PARTIAL PLAN
 (SN 054-0057 shown
 SN 054-0058 similar)



CROSS SECTION
 (Looking in direction of traffic)

REV. SHEET 6-3-13

SI-2-0	1-27-12	DESIGNED - AAN	REVISED -	STATE OF ILLINOIS DEPARTMENT OF TRANSPORTATION	SUPERSTRUCTURE STRUCTURE NO. 054-0057 (NB) & 054-0058 (SB)	F.A.I. R.E. 55	SECTION D6 LOGAN CO BR 2011-1	COUNTY LOGAN	TOTAL SHEETS 429	SHEET NO. 212	
CEC	Cummins Engineering Corporation	FILE 0540057_0058-13-Super.dgn	CHECKED - MDC			REVISED -	SHEET NO. 13 OF 31 SHEETS	CONTRACT NO. 72E11		ILLINOIS FED. AID PROJECT	
Civil and Structural Engineering	JOB 2276.3	DATE 5/14/2013	DRAWN - SJS			REVISED -					
			CHECKED - MDC			REVISED -					