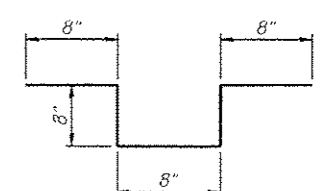
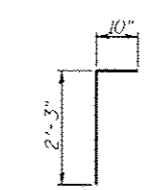


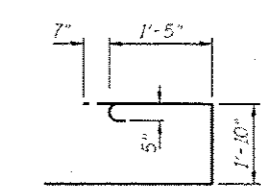
BAR u(E)



BAR o5(E)



BAR v(E)

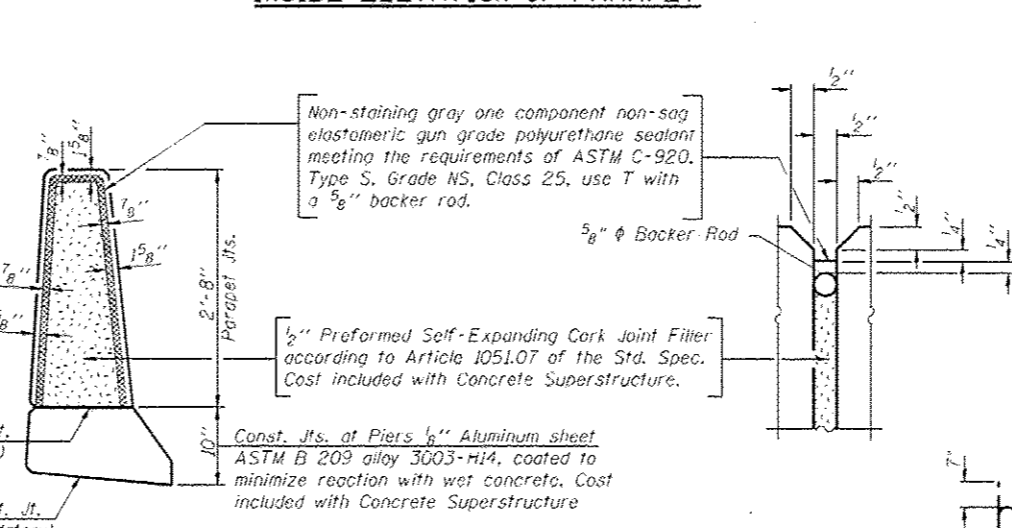


BAR s1(E)

**TWO SUPERSTRUCTURES
BILL OF MATERIAL**

Bar	No.	Size	Length	Shape
a(E)	644	#5	19'-0"	—
a1(E)	394	#5	18'-6"	—
ap(E)	1288	#6	6'-6"	—
as(E)	644	#5	23'-0"	—
a4(E)	394	#5	22'-6"	—
a5(E)	1776	#4	3'-4"	U
b(E)	552	#5	26'-8"	—
b1(E)	172	#6	27'-8"	—
b2(E)	574	#5	23'-3"	—
b3(E)	144	#4	26'-2"	—
d(E)	648	#5	6'-10"	L
d1(E)	648	#5	8'-6"	L
e(E)	252	#4	13'-0"	—
e1(E)	128	#4	6'-5"	—
e2(E)	24	#4	21'-0"	—
e3(E)	24	#8	22'-7"	—
e4(E)	16	#8	6'-5"	—
m(E)	32	#6	19'-0"	—
m1(E)	24	#6	8'-7"	—
m2(E)	40	#6	6'-10"	—
m3(E)	16	#6	3'-0"	—
m4(E)	32	#6	23'-0"	—
m5(E)	24	#6	9'-11"	—
s(E)	164	#5	6'-10"	D
s1(E)	184	#5	9'-2"	D
u(E)	176	#5	3'-3"	C
v(E)	176	#5	3'-9"	F
Reinforcement Bars, Epoxy Coated		Pound	123,070	
Concrete Superstructure		Cu. Yds.	493.5	
Bar Splicers		Each	1056	

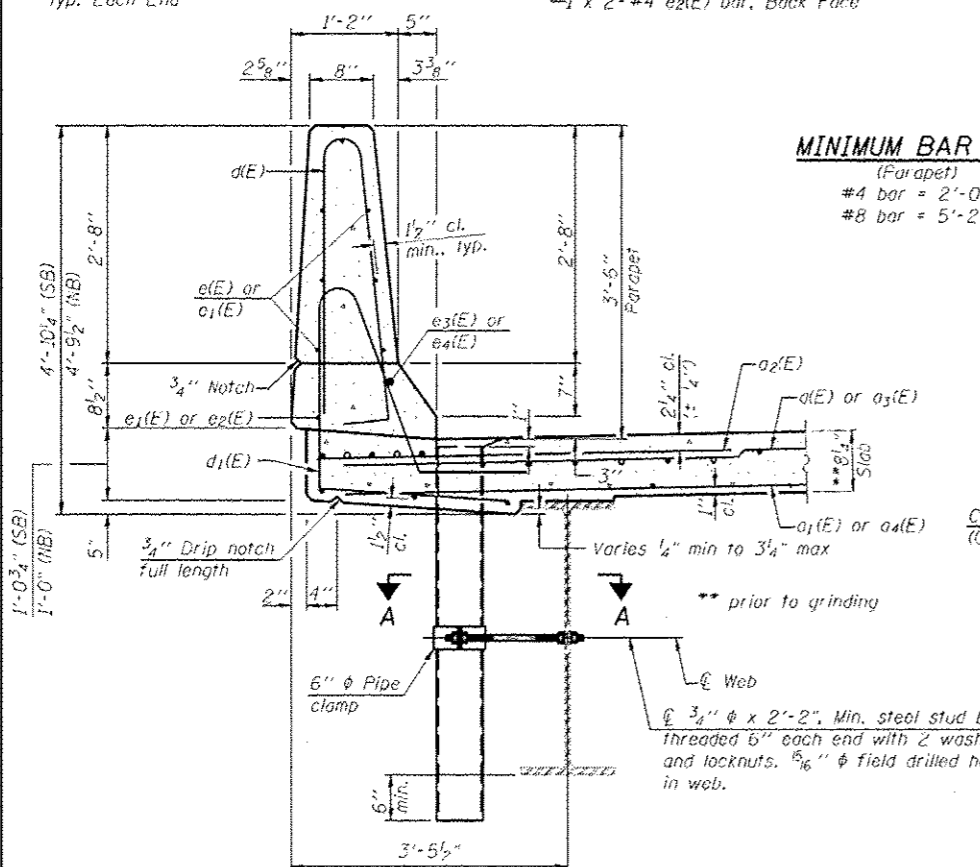
INSIDE ELEVATION OF PARAPET



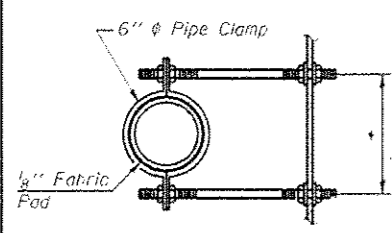
PARAPET JOINT DETAILS

Notes:
 The exterior surfaces of the floor drains shall be painted with the finish coat as specified in the special provisions for Cleaning and Painting New Metal Structures. The exterior surfaces of the drains shall be cleaned according to Society of Protective Coatings Spec. SSPC-SPI prior to painting.
 Fiberglass pipe shall conform to ASTM D 2996, with short-time rupture strength hoop tensile stress of 30,000 p.s.i. minimum.
 Galvanize clamping device according to AASHTO M232. Cost of clamping device and inserts is included with Floor Drains. Cost of Drilling 1/8" φ holes in existing web is included with Floor Drains.

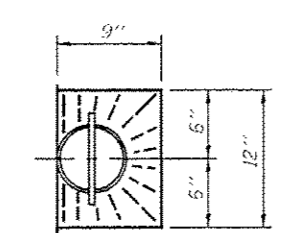
MINIMUM BAR LAP
 (Parapet)
 #4 bar = 2'-0"
 #8 bar = 5'-2"



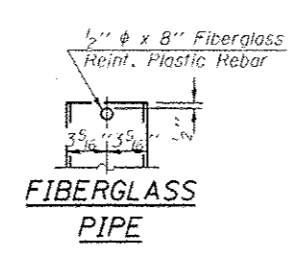
SECTION THRU PARAPET



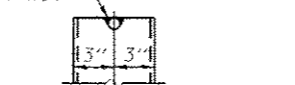
SECTION A-A
 *Dimension as required by Pipe Clamp



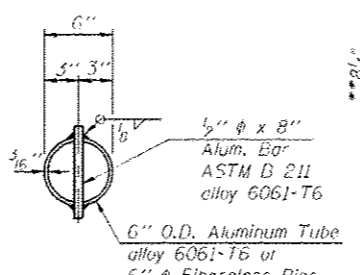
TOP PLAN



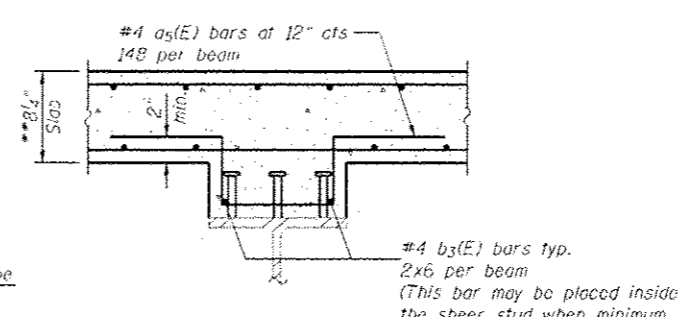
FIBERGLASS PIPE



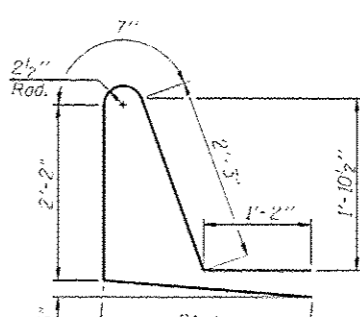
ALUMINUM TUBE



TOP PLAN (Showing Aluminum Tube)



SECTION THRU FILLET



BAR d1(E)