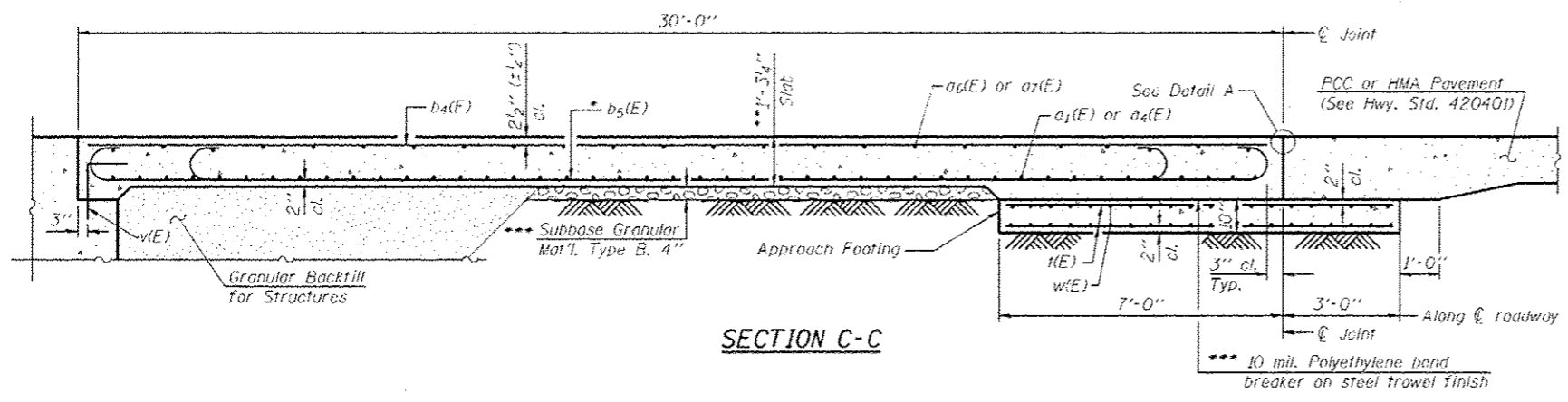
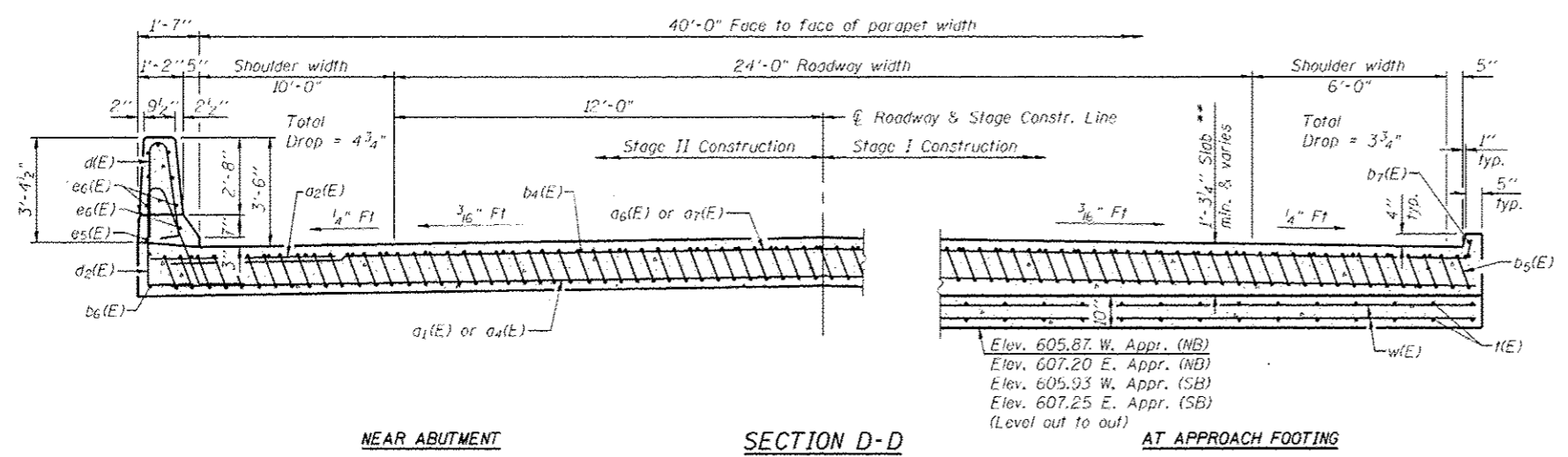


NOTES:
 See sheet 16 of 31 for Detail A and View B-B.
 Approach slab and parapet concrete shall be paid for as Concrete Superstructure.
 Approach footing concrete shall be paid for as Concrete Structures.
 Reinforcement shall be paid for as Reinforcement Bars, Epoxy Coated.
 For v(E) bar details, see sheet 15 of 31.
 The approach footing maximum applied service bearing pressure (Omax) = 2.0 ksf.
 For bar splicer details, see sheet 30 of 31.
 Cost of excavation for approach footing included with Concrete Structures.
 For Granular Backfill for Structures and drainage treatment details, see sheet 2 of 31.
 For additional parapet details, see sheet 14 of 31.



SECTION C-C

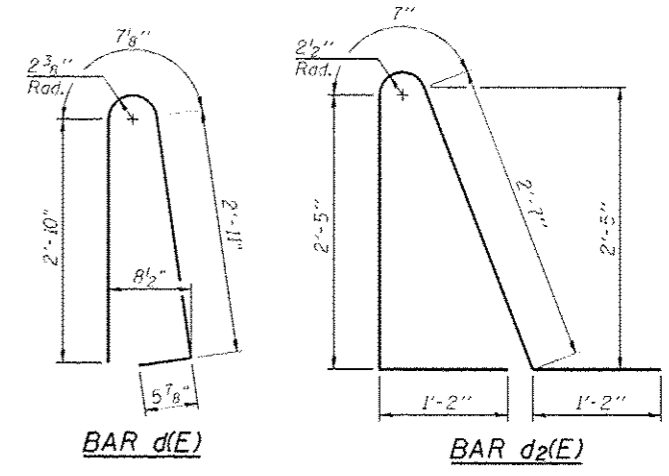


NEAR ABUTMENT

SECTION D-D

AT APPROACH FOOTING

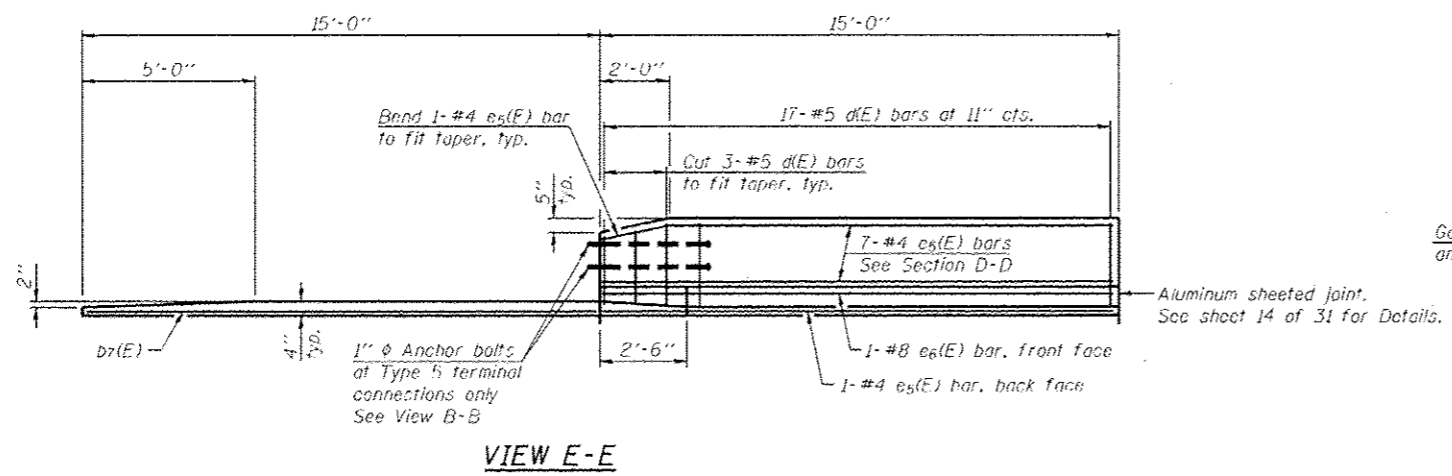
(See Plan for dimensions not shown)



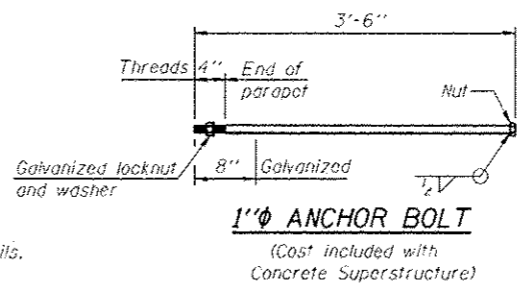
BAR d1(E)

BAR d2(E)

- * Tilt #9 b5(E) bars as required to maintain clearance.
- ** Prior to grinding
- *** Cost included with Concrete Superstructure.

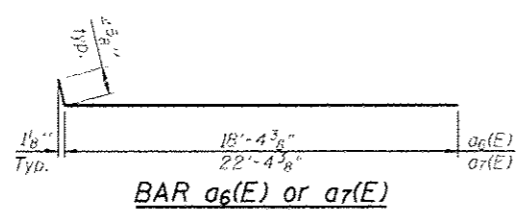


VIEW E-E

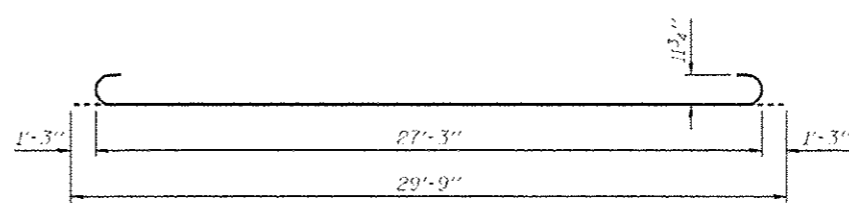


1" ANCHOR BOLT

(Cost included with Concrete Superstructure)



BAR a6(E) or a7(E)



BAR b5(E)

FOUR APPROACHES
 BILL OF MATERIAL

Bar	No.	Size	Length	Shape
a1(E)	184	#5	18'-6"	U
a2(E)	96	#6	6'-6"	U
a4(E)	184	#5	22'-6"	U
a6(E)	100	#4	18'-9"	U
a7(E)	100	#4	22'-9"	U
b4(E)	136	#4	29'-8"	U
b5(E)	364	#9	29'-9"	U
b6(E)	8	#4	14'-8"	U
b7(E)	8	#4	14'-6"	U
d1(E)	136	#5	6'-10"	U
d2(E)	136	#5	7'-11"	U
e1(E)	64	#4	14'-8"	U
e6(F)	8	#8	14'-8"	U
1(E)	336	#4	9'-8"	U
v1(E)	160	#5	18'-6"	U
w1(F)	160	#5	22'-6"	U
Concrete Superstructure		Cu. Yd.	270.8	
Concrete Structures		Cu. Yd.	51.6	
Reinforcement Bars, Epoxy Coated		Pound	65,320	
Bar Splicers		Each	364	

BA-0 12-12-12

REV. SHEET 6-3-13

(Sheet 2 of 2)

CEC Cummins Engineering Corporation Civil and Structural Engineering	JOB • 2276.3 FILE • 0540057_0058-16-17-ApprSlab.dgn DATE • 5/14/2013	DESIGNED - AAN CHECKED - MDC DRAWN - SJS CHECKED - MDC	REVISED - REVISED - REVISED - REVISED -	STATE OF ILLINOIS DEPARTMENT OF TRANSPORTATION	BRIDGE APPROACH SLAB DETAILS STRUCTURE NO. 054-0057 (NB) & 054-0058 (SB)	F.A.I. RTE. 55 SECTION D6 LOGAN CO BR 2011-1 COUNTY LOGAN TOTAL SHEETS 429 SHEET NO. 216 CONTRACT NO. 72E11
	SHEET NO. 17 OF 31 SHEETS				ILLINOIS FED. AID PROJECT	