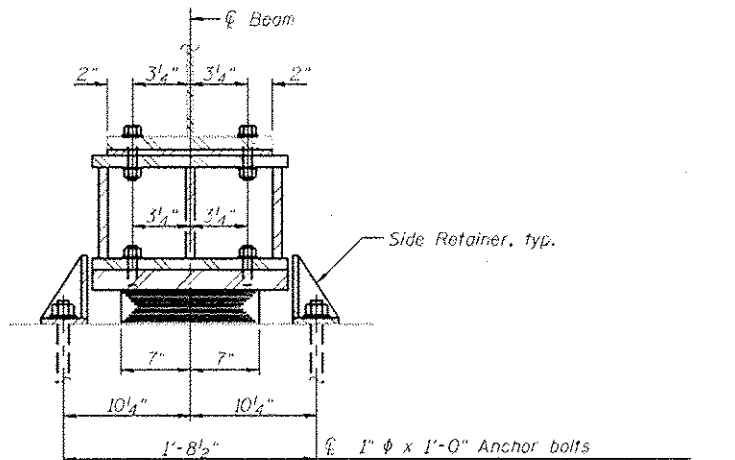
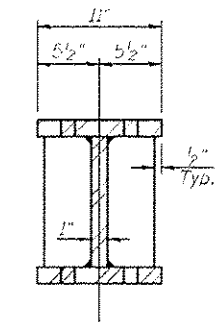


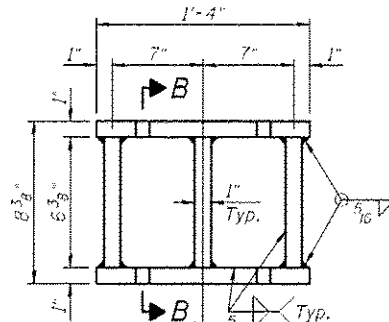
ELEVATION AT ABUT.



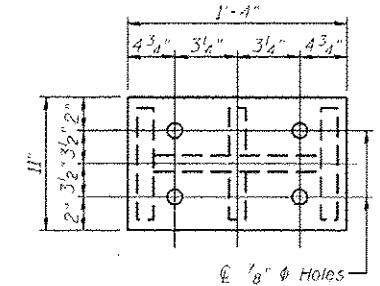
SECTION A-A



SECTION B-B



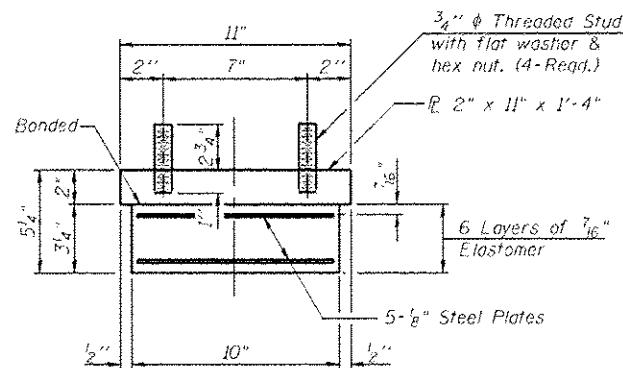
ELEVATION



PLAN - TOP & BOTTOM

STEEL EXTENSION

TYPE I ELASTOMERIC EXP. BRG.



BEARING ASSEMBLY

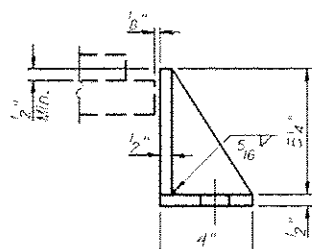
Notes:
 Anchor bolts shall be ASTM F1554 all-thread (or an Engineer-approved alternate material) of the grades and diameter(s) specified. The corresponding specified grade of AASHTO M314 anchor bolts may be used in lieu of ASTM F1554.
 Drilled and set anchor bolts shall be installed according to Article 521.06 of the Standard Specifications.
 Side retainers and shim plates required for the elastomeric bearing assembly shall be included in the cost of Elastomeric Bearing Assembly, Type I.
 Steel extensions shall be paid for as Furnishing and Erecting Structural Steel.
 The cost of field drilling holes in bottom flange of existing beams is included in Elastomeric Bearing Assembly, Type I.

INTERIOR BEAM REACTION TABLE

Location	Abutments
R ₂ (K) (steel only)	2.7
R ₄ (K)	35.9
R _{IMP} (K)	10.4
R _{TOTAL} (K)	105.7
Min. Jack Capacity (T)	13

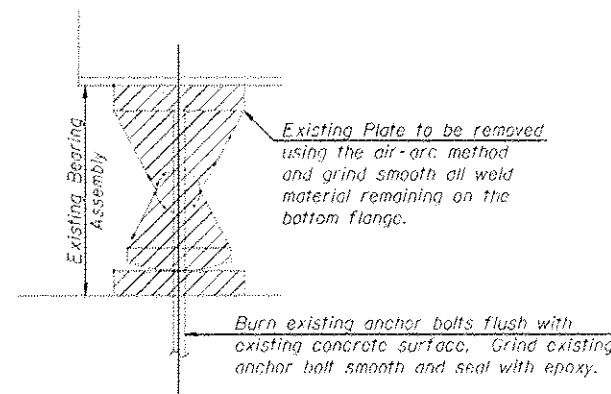
Min. Jack Capacity = $R_2 \cdot \frac{1}{2} (R_4 + R_{IMP})$

Note:
 Shim plates shall not be placed under Bearing Assembly.



SIDE RETAINER

Equivalent rolled angle with stiffeners will be allowed in lieu of welded plates.



EXISTING BEARING REMOVAL DETAIL

Cost Included with "Jack and Remove Existing Bearings"

TWO STRUCTURES BILL OF MATERIAL

Item	Unit	Total
Elastomeric Bearing Assembly, Type I	Each	24
Anchor Bolts, 1"	Each	48
Furnishing and Erecting Structural Steel	Pound	4230
Jack and Remove Existing Bearings	Each	24

I-2E-1

I-27-12

REV. SHEET 6-3-13

CEC Cummins Engineering Corporation
 Civil and Structural Engineering

JOB # 2276.3
 FILE # 0540057_0058-18-BearingDet.dgn
 DATE # 5/14/2013

DESIGNED - AAN
 CHECKED - MDC
 DRAWN - SJS
 CHECKED - MDC

STATE OF ILLINOIS
 DEPARTMENT OF TRANSPORTATION

BEARING DETAILS
 STRUCTURE NO. 054-0057 (NB) & 054-0058 (SB)

SHEET NO. 18 OF 31 SHEETS

F.A.I. RTE.	SECTION	COUNTY	TOTAL SHEETS	SHEET NO.
55	D6 LOGAN CO BR 2011-1	LOGAN	429	217
				CONTRACT NO. 72E11

ILLINOIS FED. AID PROJECT