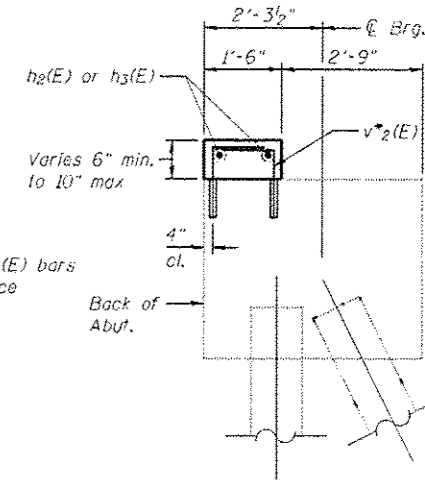


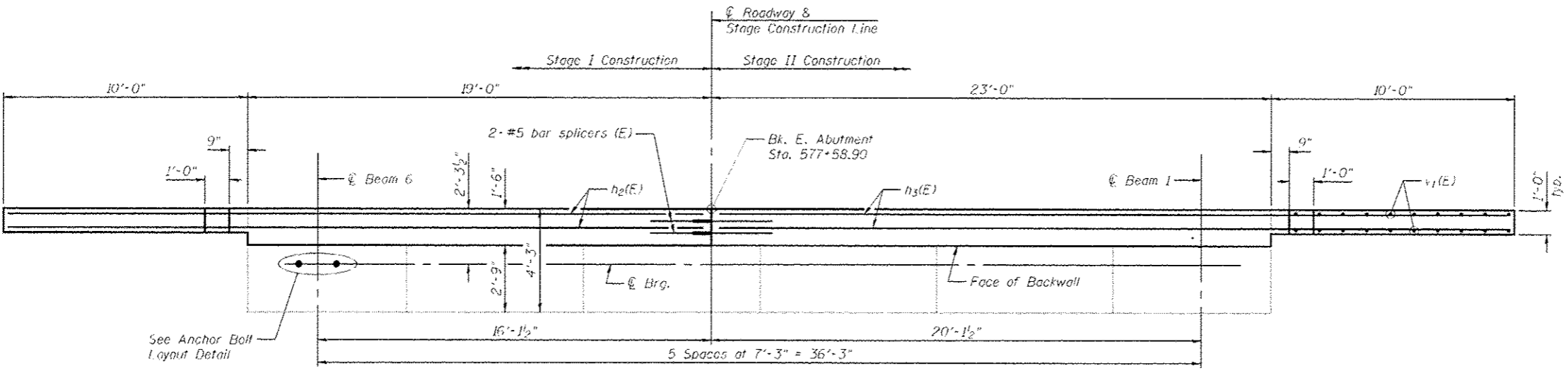
MINIMUM BAR LAP
#5 bar = 3'-3"

ELEVATION
(Looking East)



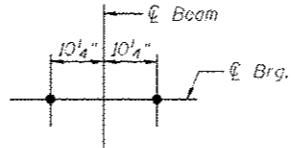
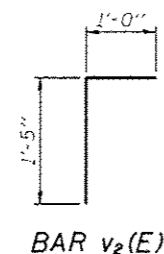
SECTION A-A

* Denotes bar to be epoxy grouted in accordance with Section 584 of the Standard Specifications. Minimum embedment = 9". Cost included with Concrete Structures.

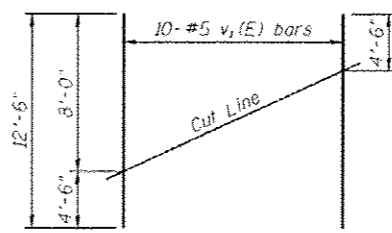


PLAN - EAST ABUTMENT NB

NOTE
Plan elevations relative to the existing structure have been taken from existing plans and reduced by 0.44 feet to match benchmark datum.



ANCHOR BOLT LAYOUT DETAIL



FIELD CUTTING DIAGRAM

Order v1(E) bars full length. Cut as shown and use remainder of bars in opposite face.

**EAST ABUTMENT NB
BILL OF MATERIAL**

Bar	No.	Size	Length	Shape
h1(E)	16	#5	4'-9"	—
h1(E)	36	#5	8'-9"	—
h2(E)	2	#5	28'-6"	—
h3(E)	2	#5	32'-6"	—
v1(E)	20	#5	12'-6"	—
v2(E)	84	#5	2'-5"	Γ
Structure Excavation		Cu. Yd.		87
Concrete Structures		Cu. Yd.		6.8
Bar Splicers		Each		2
Reinforcement Bars, Epoxy Coated		Pound		1010

For details of Bar Splicers, see sheet 30 of 31.

REV. SHEET 6-3-13