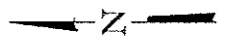
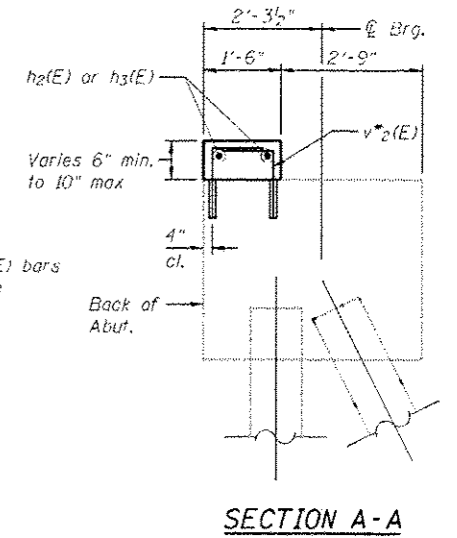


MINIMUM BAR LAP
#5 bar = 3'-3"

ELEVATION
(Looking East)



* Denotes bar to be epoxy grouted in accordance with Section 584 of the Standard Specifications. Minimum embedment = 9". Cost included with Concrete Structures.

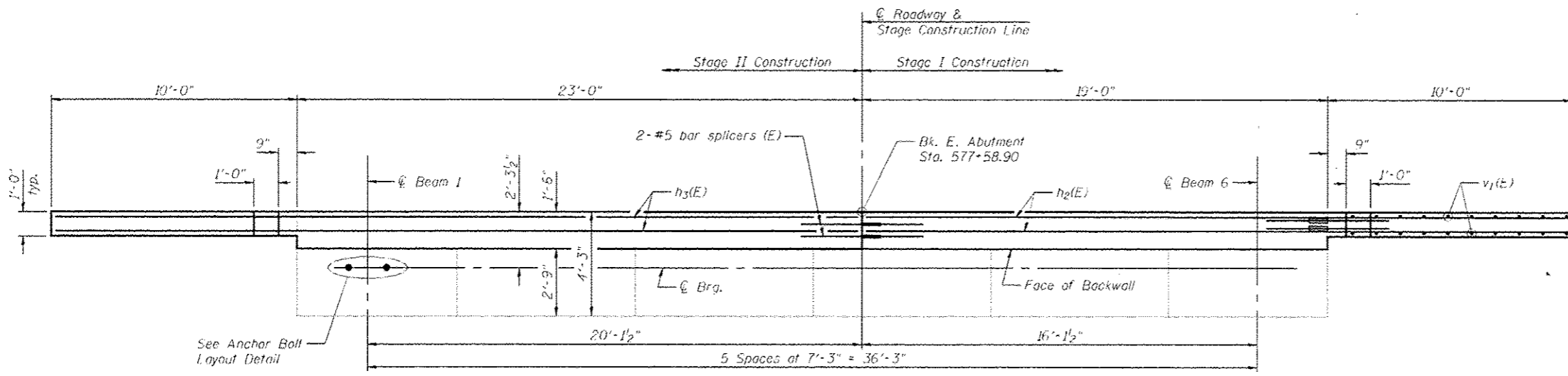
LEGEND

Denotes Structural Repair of Concrete (Depth Equal to or Less Than 5")

**EAST ABUTMENT SB
BILL OF MATERIAL**

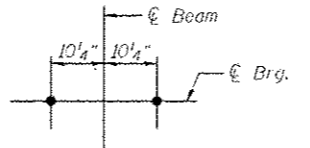
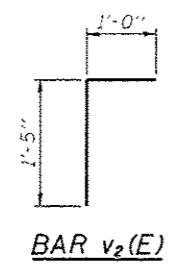
Bar	No.	Size	Length	Shape
h1(E)	16	#5	4'-9"	—
h2(E)	36	#5	8'-9"	—
h3(E)	2	#5	28'-6"	—
h4(E)	2	#5	32'-6"	—
v1(E)	20	#5	12'-6"	—
v2(E)	84	#5	2'-5"	Γ
Structure Excavation			Cu. Yd.	87
Concrete Structures			Cu. Yd.	6.8
Bar Splicers			Each	2
Reinforcement Bars, Epoxy Coated			Pound	1010
Structural Repair of Concrete (Depth Equal to or Less Than 5")			Sq. Ft.	1

For details of Bar Splicers, see sheet 30 of 31.

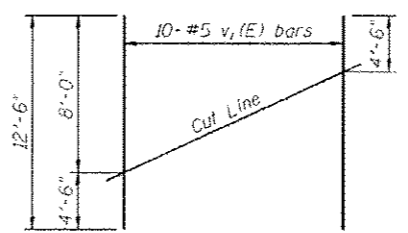


PLAN - EAST ABUTMENT SB

NOTE
Plan elevations relative to the existing structure have been taken from existing plans and reduced by 0.44 feet to match benchmark datum.



ANCHOR BOLT LAYOUT DETAIL



FIELD CUTTING DIAGRAM

Order v1(E) bars full length. Cut as shown and use remainder of bars in opposite face.

REV. SHEET 6-3-13