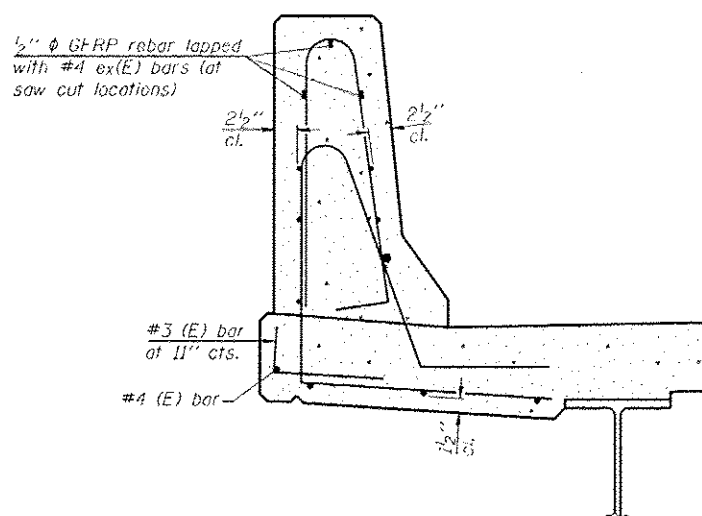


**34" F SHAPE PARAPET SECTION**  
(Showing dimensions)

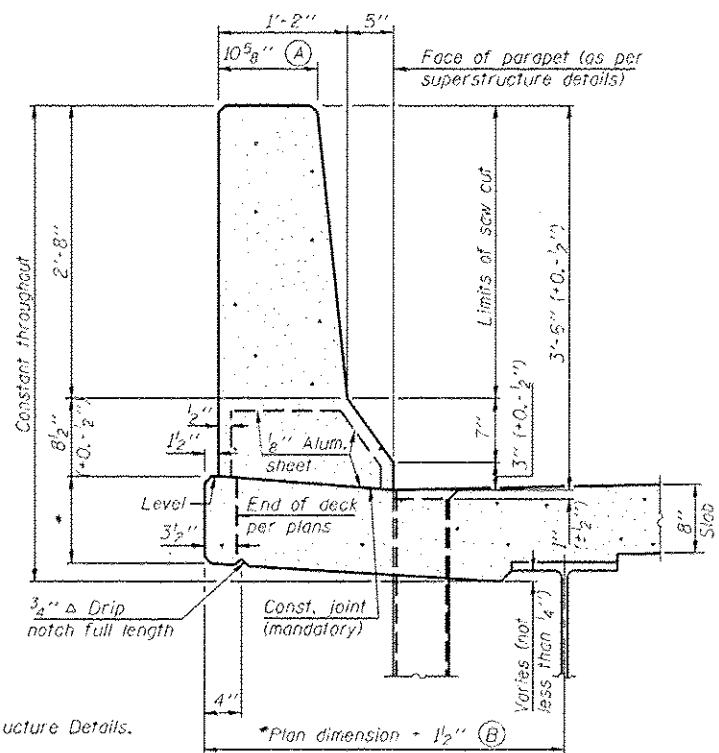
\*See Superstructure Details.

\*Plan dimension = 1 1/2" (B)



**SECTION**

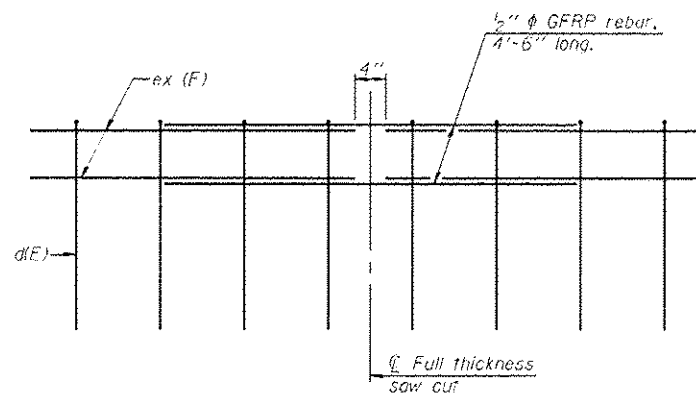
(34" parapet shown - 42" parapet similar)  
(Showing reinforcement clearances for slip forming and additional reinforcement bars)



**42" F SHAPE PARAPET SECTION**  
(Showing dimensions)

\*See Superstructure Details.

\*Plan dimension = 1 1/2" (B)

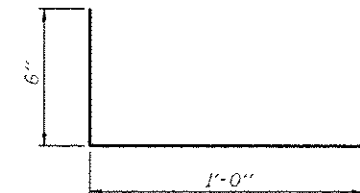


**GFRP REBAR STIFFENING DETAIL**

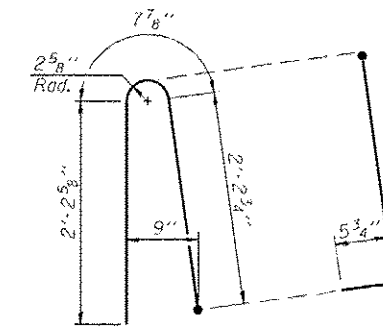
(Place as shown in parapet section at each parapet joint location.)

**GENERAL NOTES**

All dimensions shall remain the same as shown on superstructure details, except dimensions A and B which are to be revised as shown to provide additional clearance. Additional concrete needed to revise dimension A and B = 0.0165 cu. yds./ft. for 34" parapet or = 0.0223 cu. yds./ft. for 42" parapet. Place aluminum sheet in curb portion at and near piers. Full thickness saw cut at all joint locations in lieu of cork joint filler. Steel superstructure shown. Other superstructure types similar.

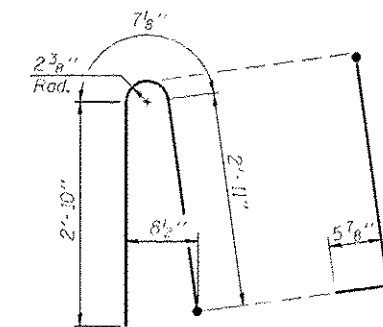


**#3 (E) BAR**



**ALTERNATE BAR d(E)**

(For 34" parapet when conduit is present)



**ALTERNATE BAR d(E)**

(For 42" parapet when conduit is present)

SFP 34-42

8-16-12

REV. SHEET 6-3-13

**CEC** Cummins Engineering Corporation  
Civil and Structural Engineering

JOB # 2276.3  
FILE # 0540057\_0058-31-ParaSlipOpt1an.dgn  
DATE # 5/14/2013

DESIGNED - AAN  
CHECKED - MDC  
DRAWN - SJS  
CHECKED - MDC

STATE OF ILLINOIS  
DEPARTMENT OF TRANSPORTATION

CONCRETE PARAPET SLIPFORMING OPTION  
STRUCTURE NO. 054-0057 (NB) & 054-0058 (SB)

SHEET NO. 31 OF 31 SHEETS

F.A.I. RTE.	SECTION	COUNTY	TOTAL SHEETS	SHEET NO.
55	D6 LOGAN CO BR 2011-1	LOGAN	429	230
				CONTRACT NO. 72E11

ILLINOIS FED. AID PROJECT