

**GENERAL NOTES**

Fasteners shall be ASTM A325 Type I, mechanically galvanized bolts. Bolts 1 in.  $\phi$ , holes  $1\frac{1}{8}$  in.  $\phi$ , unless otherwise noted. No field welding is permitted except as specified in the contract documents. Reinforcement bars designated (E) shall be epoxy coated. Prior to pouring the new concrete deck, all heavy or loose rust, loose mill scale, and other loose or potentially detrimental foreign material shall be removed from the surfaces in contact with concrete. Tightly adhered paint may remain unless otherwise noted. Removal shall be accomplished by methods that will not damage the steel and the cost will be included in the pay item covering removal of the existing concrete.

As directed by the Engineer, existing construction accessories welded to the top flange of beams and girders shall be removed. The weld areas shall be ground flush and inspected for cracks using magnetic particle testing (MT) or dye penetrant testing (PT) by qualified personnel approved by the Engineer. Any cracks that cannot be removed by grinding  $\frac{1}{4}$  inch deep shall be identified and reported to the Bureau of Bridges and Structures for further disposition. The cost of removing welded accessories, grinding and inspecting weld areas and grinding cracks will be paid for according to Article 109.04 of the Standard Specifications.

If the Contractor elects to use cantilever forming brackets on the exterior beams or girders, the brackets shall be placed at the same locations as required for the hardwood blocks in Article 503.06(b) of the Standard Specifications. If additional cantilever forming brackets are required, hardwood blocking shall be wedged between the exterior and first interior beam at each of these additional bracket locations.

Plan dimensions and details relative to existing plans are subject to nominal construction variations. The Contractor shall field verify existing dimensions and details affecting new construction and make necessary approved adjustments prior to construction or ordering of materials. Such variations shall not be cause for additional compensation for a change in scope of the work, however, the Contractor will be paid for the quantity actually furnished at the unit price bid for the work.

Concrete Sealer shall be applied to the designated areas of the abutments and piers.

Cleaning and painting of the structural steel shall be as specified in the special provision for "Cleaning and Painting Existing Steel Structures". All beams, bearings and other structural steel within 10 ft (measured along the beam) of the deck joints shall be cleaned per Near White Blast Cleaning - SSPC-SP10.

The designated areas cleaned per Near White Blast Cleaning and per Commercial Grade Power Tool Cleaning shall be painted according to the requirements of Paint System 1 - OZ/E/U. The color of the final finish coat for all surfaces shall be Interstate Green, Munsell No. 7.5G 4/8.

The existing structural steel coating contains lead. The Contractor shall take appropriate precautions to deal with the presence of lead on project.

All new structural steel shall be shop painted with an inorganic zinc rich primer per AASHTO M300, Type 1.

Location No. 3 = S.N. 054-0060 SB

Location No. 4 = S.N. 054-0061 NB

When the deck pour is stopped for the day at one or more of the transverse bonded construction joints in the deck pouring sequence as shown, the next pour shall not be made until both of the following are met:

- 1) At least 72 hours shall have elapsed from the end of the previous pour.
- 2) The concrete strength shall have attained a minimum flexural strength of 650 psi or a minimum compressive strength of 3500 psi.

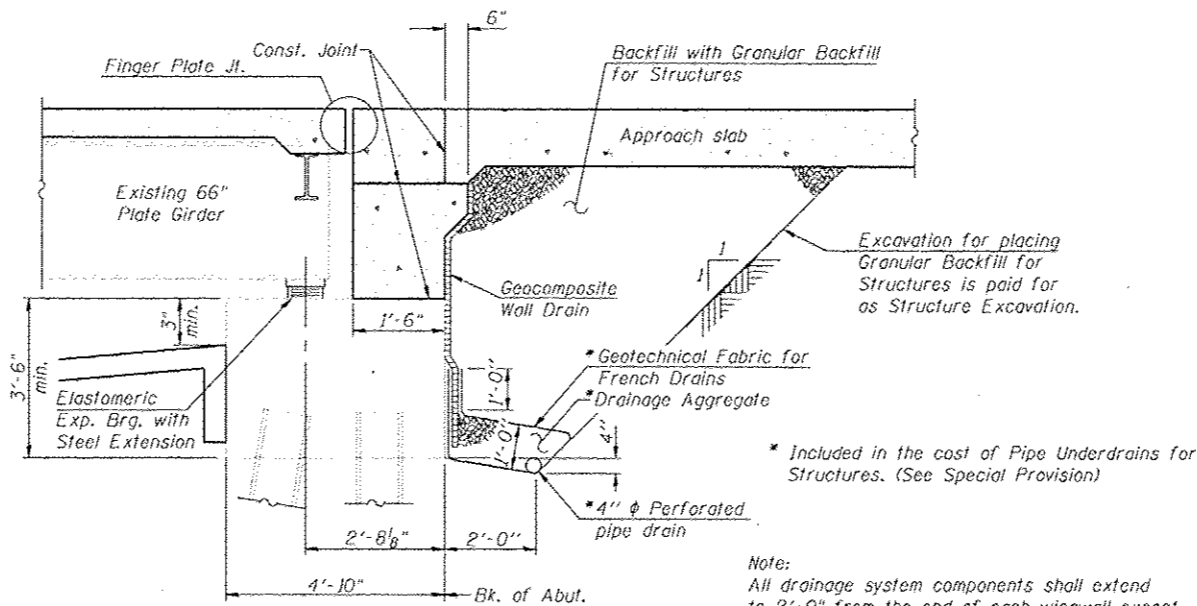
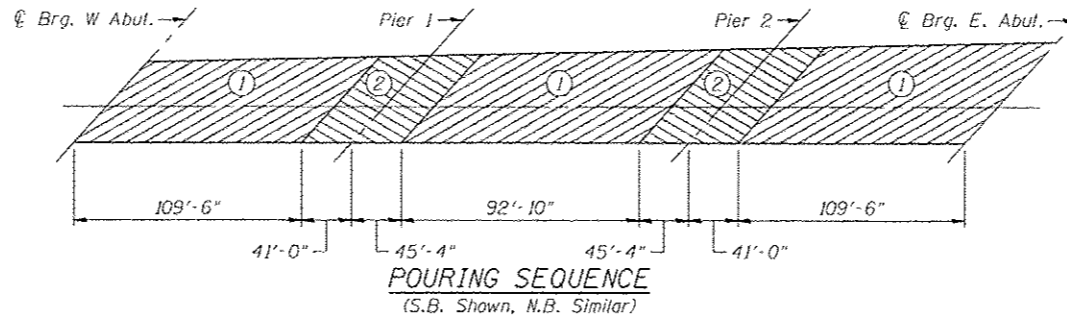
STATION 700+89.92  
BUILT 20... BY  
STATE OF ILLINOIS  
F.A.I. RT. 55  
SEC. D6 LOGAN CO BR 2011-1  
LOADING HS 20-44  
STRUCTURE NO. 054-0060  
(S.B. STRUCTURE)

STATION 700+89.92  
BUILT 20... BY  
STATE OF ILLINOIS  
F.A.I. RT. 55  
SEC. D6 LOGAN CO BR 2011-1  
LOADING HS 20-44  
STRUCTURE NO. 054-0061  
(N.B. STRUCTURE)

**NAME PLATE**

See Std. 515001

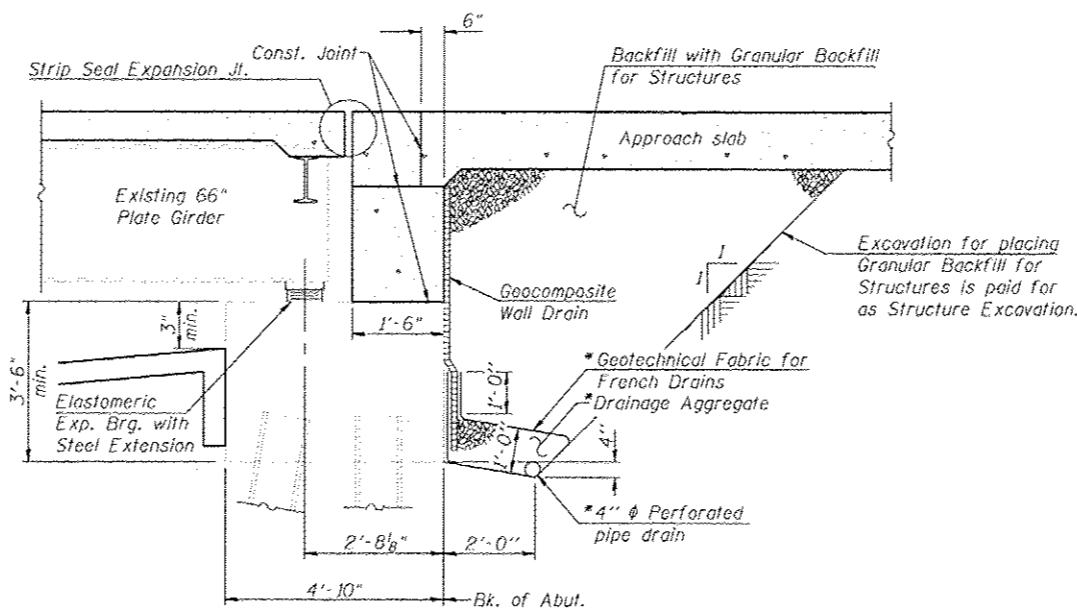
Existing name plate shall be cleaned and placed next to the new name plate. Cost included in "Name Plates".



**SECTION THRU EAST ABUTMENTS**

(Horiz. dim. @ Rt. L's)

Note:  
All drainage system components shall extend to 2'-0" from the end of each wingwall except an outlet pipe shall extend until intersecting with the side slopes. The pipes shall drain into concrete headwalls. (See Article 601.05 of the Standard Specifications and Highway Standard 601101.)



**SECTION THRU WEST ABUTMENTS**

(Horiz. dim. @ Rt. L's)

**INDEX OF SHEETS**

1	General Plan
2	General Data
3	Stage Construction Details
4	Temporary Concrete Barrier
5-8	Top of Slab Elevations (SB)
9-10	Top of Approach Slab Elevations (SB)
11-14	Top of Slab Elevations (NB)
15-16	Top of Approach Slab Elevations (NB)
17-19	Superstructure
20-22	Superstructure Details
23-24	Bridge Approach Slab Details (SB)
25-26	Bridge Approach Slab Details (NB)
27	Bridge Approach Slab Details
28	Drainage Scupper, DS-II
29	Preformed Joint Strip Seal
30	Finger Plate Expansion Joint (SB)
31	Finger Plate Expansion Joint (NB)
32	Finger Plate Expansion Joint Details
33-35	Structural Steel
36	Type I Bearing Details at West Abutments
37	Type III Bearing Details at East Abutments
38	West Abutment Concrete Removal (SB)
39	East Abutment Concrete Removal (SB)
40	West Abutment Concrete Removal (NB)
41	East Abutment Concrete Removal (NB)
42	West Abutment Details (SB)
43	East Abutment Details (SB)
44	West Abutment Details (NB)
45	East Abutment Details (NB)
46	Abutment Details
47	Pier 2
48	Pier Repairs (SB)
49	Pier Repairs (NB)
50	West Slope Wall Repair
51	East Slope Wall Repair
52	Bar Splicer Assembly and Mechanical Splicer Details
53	Concrete Parapet Slipforming Option

**TOTAL BILL OF MATERIAL**

ITEM	UNIT	SUPER	SUB	TOTAL
Concrete Removal	Cu. Yd.		141.1	141.1
Removal of Existing Concrete Deck, No. 2	Each	2		2
Protective Shield	Sq. Yd.	2389		2389
Structure Excavation	Cu. Yd.		658	658
Concrete Structures	Cu. Yd.		196.2	196.2
Concrete Superstructure	Cu. Yd.	1925.9		1925.9
Bridge Deck Grooving	Sq. Yd.	5635		5635
Protective Coat	Sq. Yd.	6997		6997
Furnishing and Erecting Structural Steel	Pound	21,130		21,130
Stud Shear Connectors	Each	18,894		18,894
Reinforcement Bars, Epoxy Coated	Pound	474,235	28,155	502,390
Bar Splicers	Each	3718	461	4179
Name Plates	Each	2		2
Preformed Joint Strip Seal	Foot	128		128
Finger Plate Expansion Joint, 4"	Foot	133		133
Elastomeric Bearing Assembly, Type I	Each	14		14
Elastomeric Bearing Assembly, Type III	Each	14		14
Anchor Bolt 1"	Each	56		56
Concrete Sealer	Sq. Ft.		1597	1597
Geocomposite Wall Drain	Sq. Yd.		432	432
Granular Backfill for Structures	Cu. Yd.		658	658
Jack & Remove Existing Bearings	Each	28		28
Containment and Disposal of Lead Paint Cleaning Residues No. 3	L. Sum	1		1
Containment and Disposal of Lead Paint Cleaning Residues No. 4	L. Sum	1		1
Cleaning and Painting Steel Bridge No. 3	L. Sum	1		1
Cleaning and Painting Steel Bridge No. 4	L. Sum	1		1
Structural Repair of Concrete (Depth Equal to or Less than 5 inches)	Sq. Ft.		43	43
Drainage Scuppers, DS-II	Each	8		8
Temporary Sheet Piling	Sq. Ft.		1904	1904
Pipe Underdrains for Structures, 4"	Foot		287	287
Slope Wall Repair	Sq. Yd.		463	463
Controlled Low-Strength Material	Cu. Yd.		159	159



JOB - 2265.2  
FILE - 9548258.0061-72E11-02-GenData.dgn  
DATE - 9/17/2013

DESIGNED - AAN  
CHECKED - MDC  
DRAWN - SJS  
CHECKED - MDC

REVISED -  
REVISED -  
REVISED -  
REVISED -

**STATE OF ILLINOIS  
DEPARTMENT OF TRANSPORTATION**

**GENERAL DATA**  
STRUCTURE NO. 054-0060 (SB) & STRUCTURE NO. 054-0061 (NB)

SHEET NO. 2 OF 53 SHEETS

F.A.I. RTE. 55  
SECTION D6 LOGAN CO BR 2011-1  
COUNTY LOGAN  
TOTAL SHEETS 429  
SHEET NO. 232  
CONTRACT NO. 72E11  
ILLINOIS FED. AID PROJECT

REV. SHEET G-3-13