

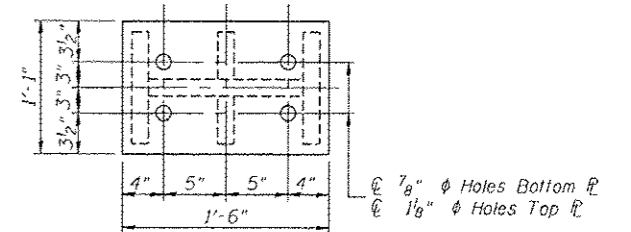
ELEVATION AT ABUT

SECTION A-A

TYPE I ELASTOMERIC EXP. BRG.  
AT W. ABUT. S.B. & W. ABUT. N.B.

FILL "I" DIMENSIONS

S.B. Lanes	A	B	C	D	E	F	G
☉ Brg. W. Abut.	---	---	5/8"	---	---	---	---

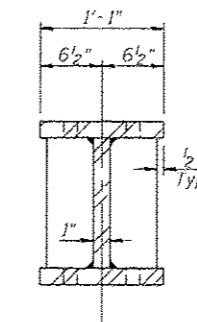


PLAN - TOP & BOTTOM

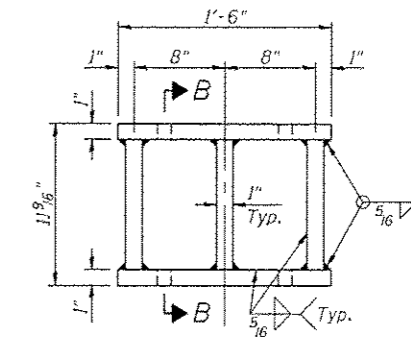
INTERIOR GIRDER REACTION TABLE

Location W. Abutment	
R <sub>P</sub> (K) (steel only)	18.1
R <sub>L</sub> (K)	45.2
R <sub>IMP</sub> (K)	8.2
R <sub>TOTAL</sub> (K)	145.5
Min. Jack Capacity (T)	23

Min. Jack Capacity = R<sub>P</sub> + 1/2 (R<sub>L</sub> + R<sub>IMP</sub>)

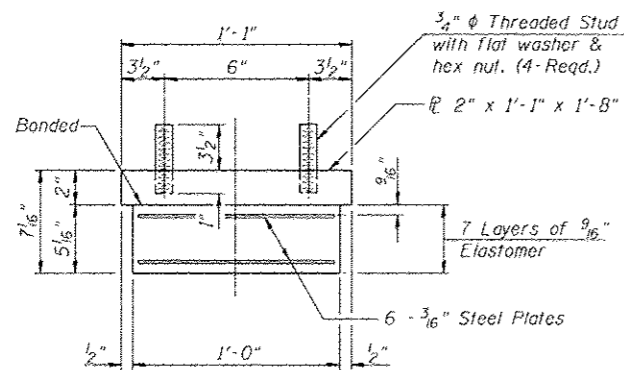


SECTION B-B



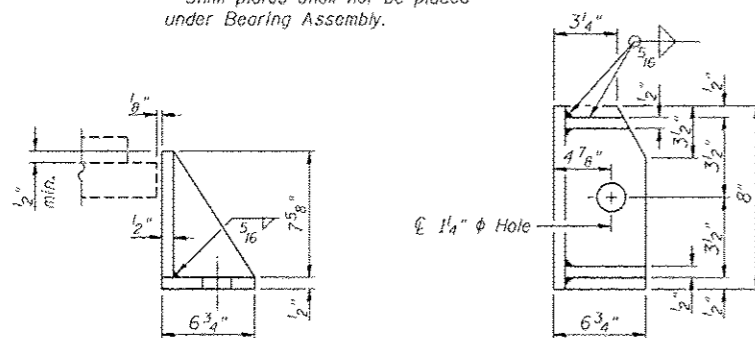
ELEVATION

STEEL EXTENSION  
AT W. ABUT. S.B. & W. ABUT. N.B.



BEARING ASSEMBLY

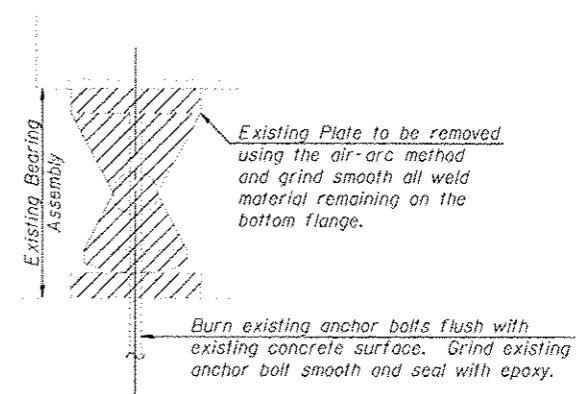
Note:  
Shim plates shall not be placed under Bearing Assembly.



ABUTMENT SIDE RETAINER - W. ABUT. S.B. & W. ABUT. N.B.  
Equivalent rolled angle with stiffeners will be allowed in lieu of welded plates.

Notes:

- Anchor bolts shall be ASTM F1554 all-thread (or an Engineer-approved alternate material) of the grade(s) and diameter(s) specified. The corresponding specified grade of AASHTO M314 anchor bolts may be used in lieu of ASTM F1554.
- Anchor bolts for side retainers may be cast in place or installed in holes drilled before or after members are in place.
- Drilled and set anchor bolts shall be installed according to Article 521.06 of the Standard Specifications.
- Side retainers and other steel members required for the elastomeric bearing assembly shall be included in the cost of Elastomeric Bearing Assembly, Type I.
- Diaphragm removal and reinstallation may be required to facilitate drilling holes. Cost included with Furnishing and Erecting Structural Steel.
- New steel extensions, shim plates and connection bolts are included with Furnishing and Erecting Structural Steel.
- Prior to ordering any material, the Contractor shall verify in the field all bearing height and shim thickness dimensions.
- Two 1/8 in. adjusting shims shall be provided for each bearing in addition to all other plates or shims and placed as shown on the bearing details.



EXISTING BEARING REMOVAL DETAIL  
Cost Included with "Jack and Remove Existing Bearings"

BILL OF MATERIAL

Item	Unit	Total
Jack and Remove Existing Bearings	Each	14
Anchor Bolts 1"	Each	28
Elastomeric Bearing Assembly Type I	Each	14
Furnishing and Erecting Structural Steel	Pound	3900

REV. SHEET 6-3-13



JOB # 2265.2  
FILE # 0540260.0061-72E11-36-37-Bearing.dwg  
DATE 5/17/2013

DESIGNED - AAN  
CHECKED - MDC  
DRAWN - SJS  
CHECKED - MDC

REVISED -  
REVISED -  
REVISED -  
REVISED -

STATE OF ILLINOIS  
DEPARTMENT OF TRANSPORTATION

TYPE I BEARING DETAILS AT WEST ABUTMENTS  
STRUCTURE NO. 054-0060 (SB) & STRUCTURE NO. 054-0061 (NB)

F.A.J. R.I.E.	SECTION	COUNTY	TOTAL SHEETS	SHEET NO.
55	D6 LOGAN CO BR 2011-1	LOGAN	429	266
CONTRACT NO. 72E11				
ILLINOIS FED. AID PROJECT				