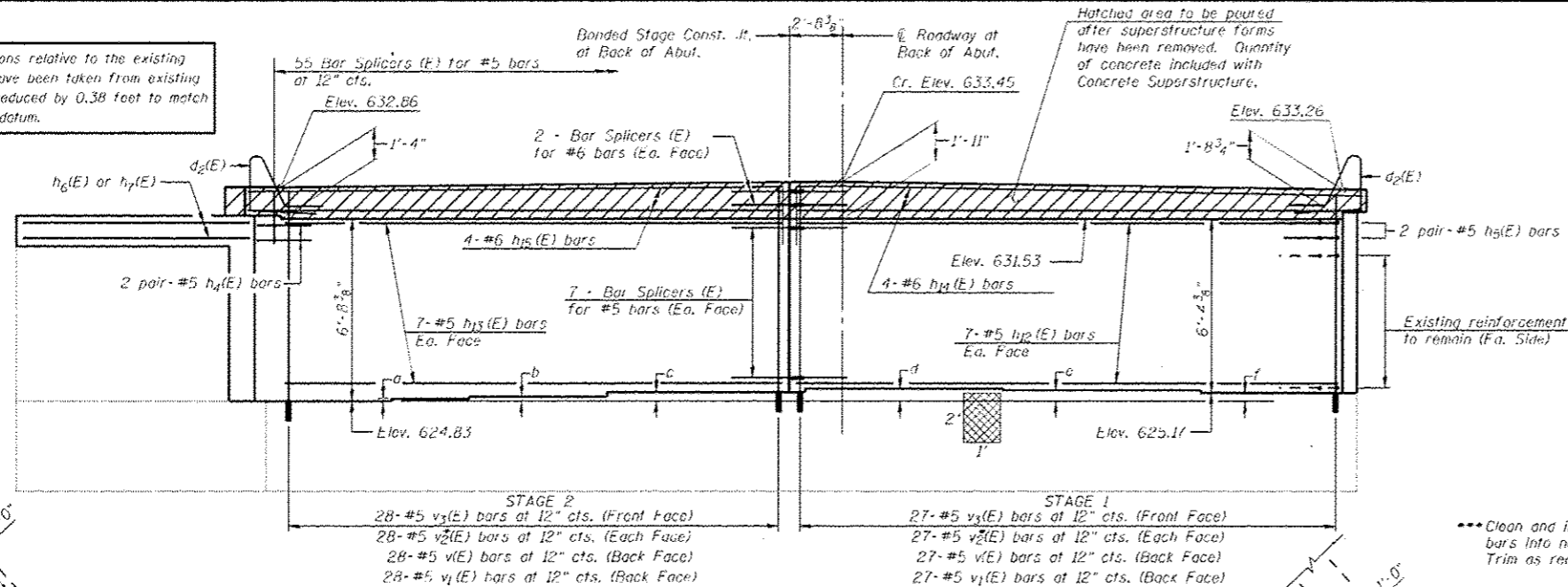


NOTE

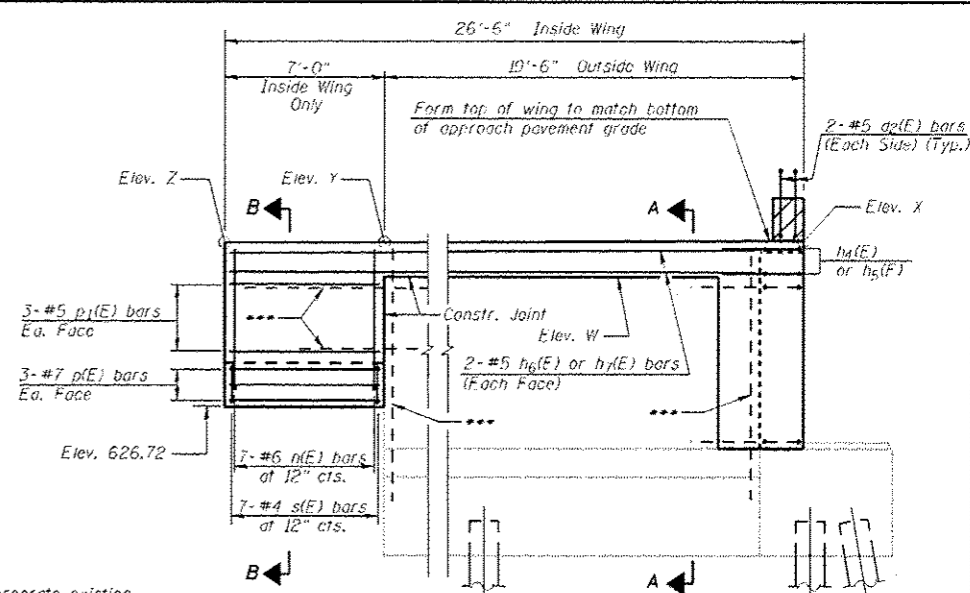
Plan elevations relative to the existing structure have been taken from existing plans and reduced by 0.38 feet to match benchmark datum.



ELEVATION
(Looking West - W. Abut. - N.B.)

TABLE OF EXISTING STEP HEIGHTS

	a	b	c	d	e	f
West Abutment (N.B.)	1"	2 1/8"	4 1/4"	5 7/8"	5 1/2"	4"

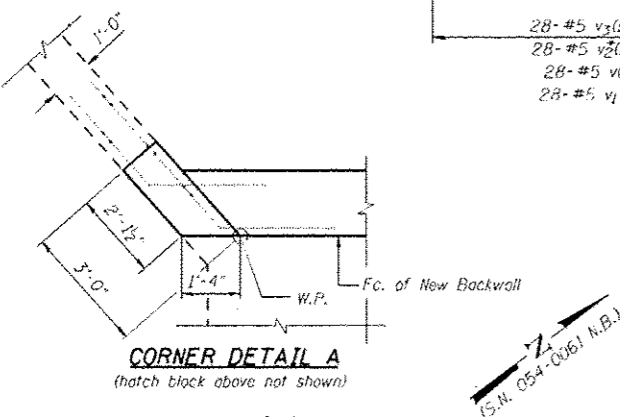


WINGWALL ELEVATION

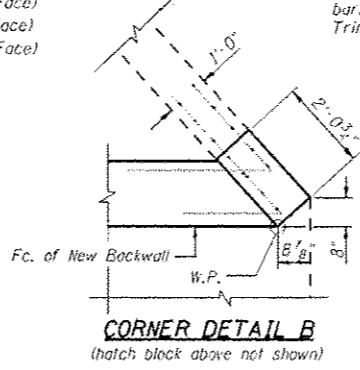
ABUTMENT BILL OF MATERIAL

Bar	No.	Size	Length	Shape
d2(E)	4	#5	7'-11"	
h4(E)	4	#5	5'-0"	
h5(E)	4	#5	5'-0"	
h6(E)	4	#5	19'-2"	
h7(E)	4	#5	25'-3"	
h8(E)	14	#5	26'-9"	
h13(E)	14	#5	27'-0"	
h14(E)	4	#6	27'-5"	
h15(E)	4	#6	27'-2"	
n(F)	7	#6	9'-1"	
p(E)	6	#7	6'-8"	
p1(E)	6	#5	6'-8"	
s(E)	7	#4	7'-5"	
v(E)	55	#5	3'-9"	
v1(E)	55	#5	4'-6"	
v2(E)	110	#5	6'-3"	
vx(F)	55	#5	3'-2"	
Structure Excavation			Cu. Yd.	149
Concrete Structures			Cu. Yd.	23.6
Reinforcement Bars			Pound	3000
Epoxy Coated				
Bar Splicers			Each	73
Concrete Sealer			Sq. Ft.	365
Structure Repair of Concrete (Depth Equal or Less than 5")			Sq. Ft.	2

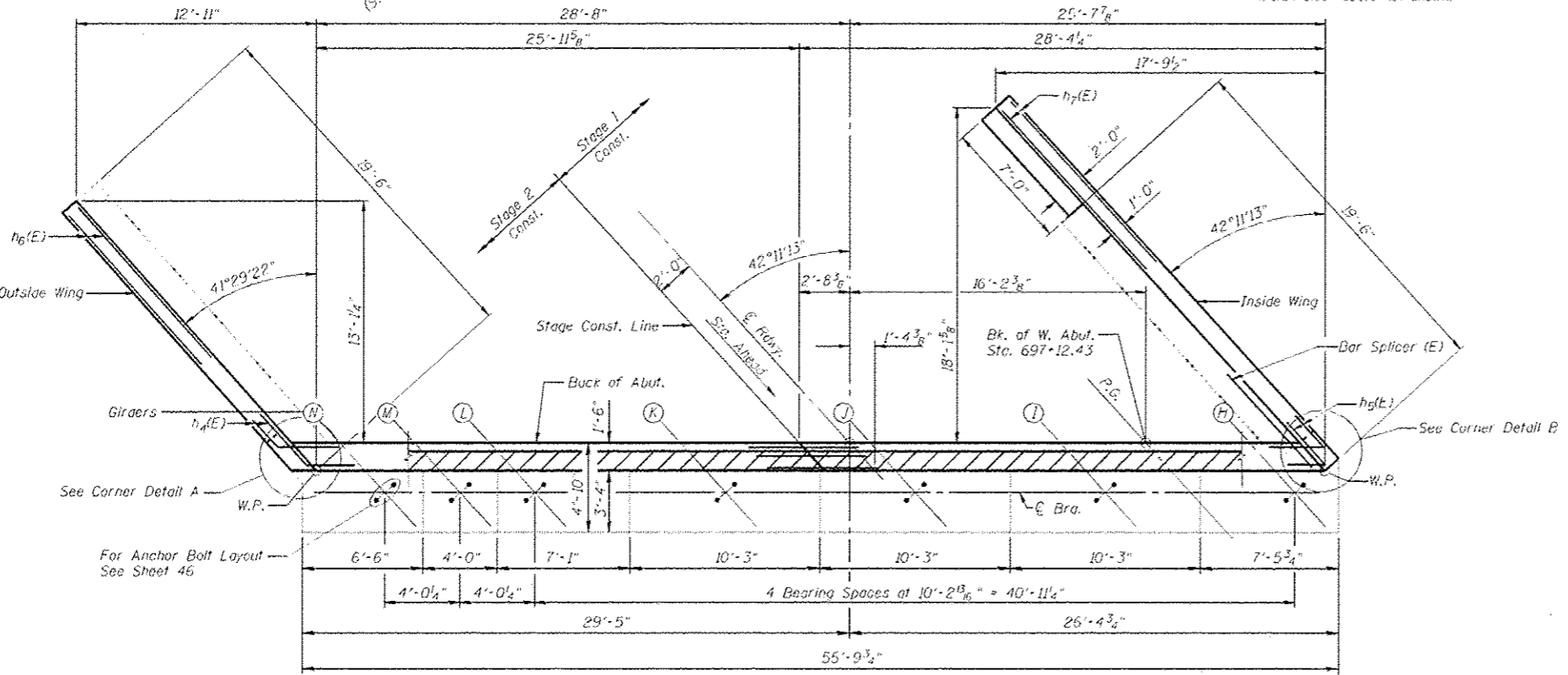
Elev.	West Abut. - N.B.	
	Inside Wing	Outside Wing
W	631.24	630.88
X	632.01	631.61
Y	631.88	631.43
Z	631.82	-



CORNER DETAIL A
(hatch block above not shown)

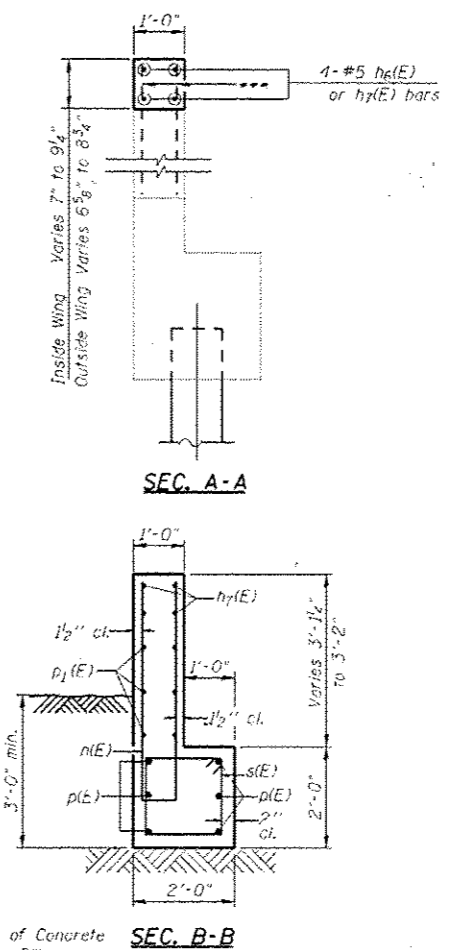


CORNER DETAIL B
(hatch block above not shown)



PLAN

REV. SHEET 6-3-13
(West Abutment - N.B.)



SEC. A-A

SEC. B-B

Notes:
All bars designated with an asterisk (ex: v2(E)) shall be epoxy grouted in accordance with Section 584 of the Standard Specifications. Minimum embedment = 9". Locate bars to miss existing reinforcement.
Existing wingwall reinforcement shall be cleaned and incorporated into the new construction. Cast included with Concrete Removal.
Existing vertical bars in backwall shall be cut off and covered with a layer of epoxy. Cast included with Concrete Removal.
Concrete Sealer shall be applied to the front face of the backwall.
See Sheet 22 for point block details at hatch block.
See Section Thru West Abutment on Sheet 46 of 53.