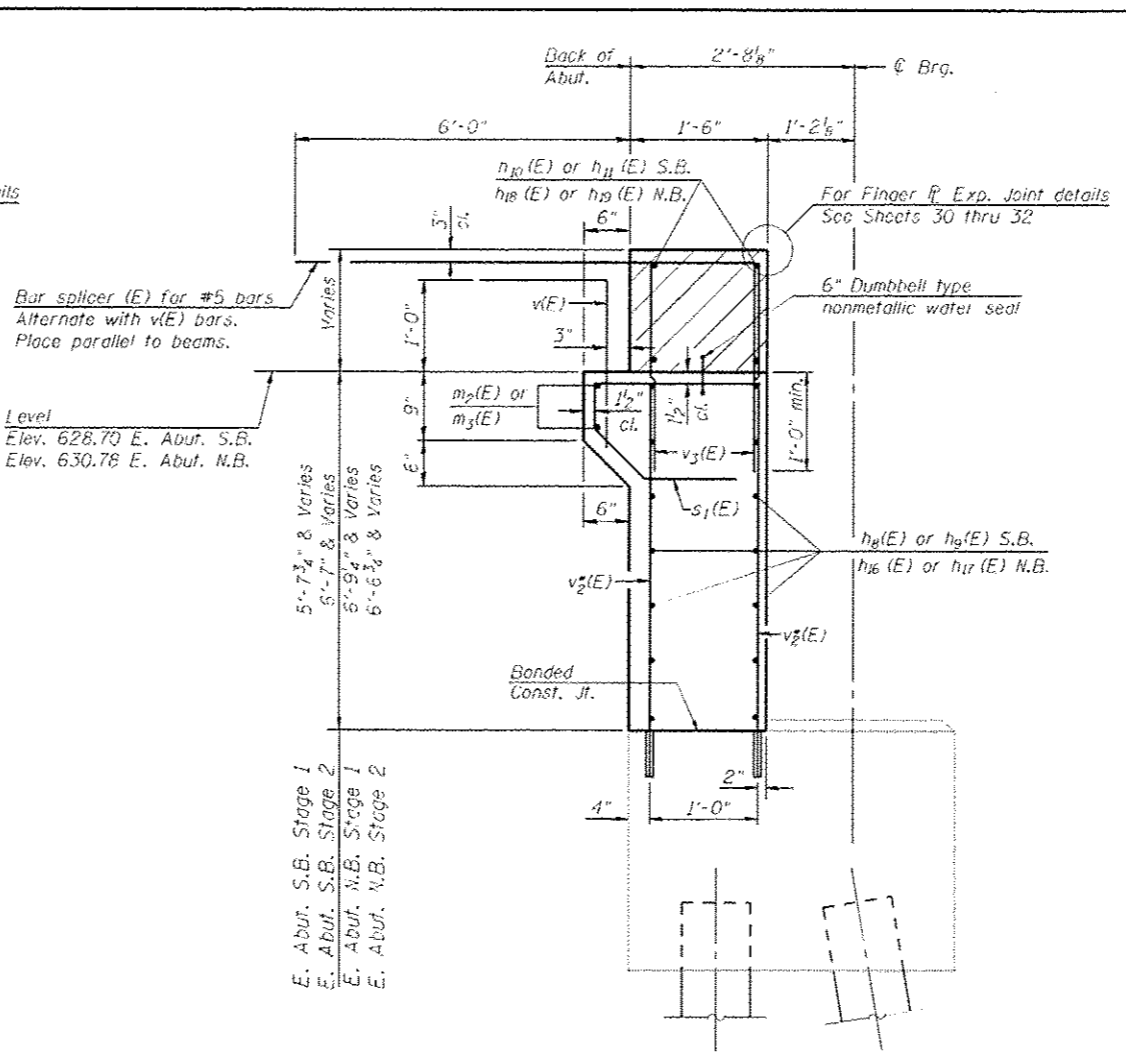
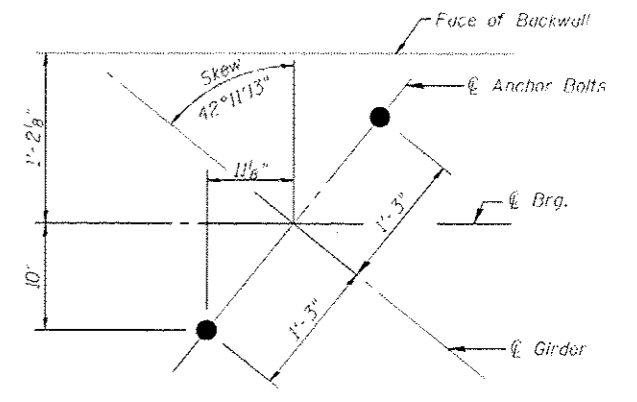


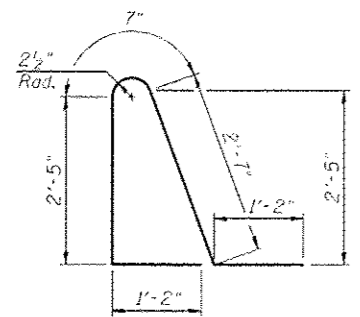
SEC. THRU WEST ABUTMENTS
(Dimensions at Rt. L's)



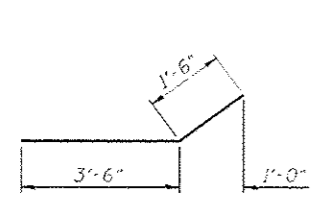
SEC. THRU EAST ABUTMENTS
(Dimensions at Rt. L's)



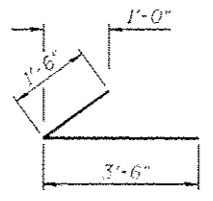
ANCHOR BOLT LAYOUT



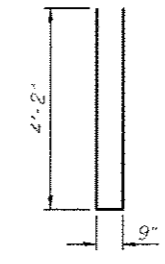
BAR d2(E)



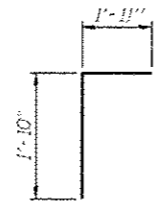
BAR h4(E)



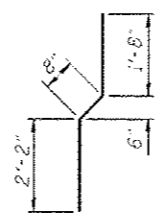
BAR h5(E)



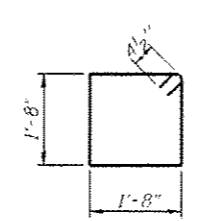
BAR n(E)



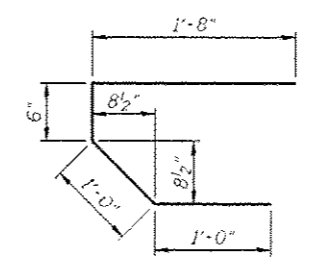
BAR v(E)



BAR v1(E)



BARS s(E)



BAR s1(E)

REV. SHEET 6-3-13

NOTE
Plan elevations relative to the existing structure have been taken from existing plans and reduced by 0.38 feet to match benchmark datum.

EXISTING BEARING SEAT ELEVATIONS
S.N. 054-0060 (SB)

	A	B	C	D	E	F	G
West Abutment	625.59	625.65	625.65	625.81	625.88	625.74	625.57
East Abutment	622.12	622.40	622.69	622.92	623.12	623.06	623.06

EXISTING BEARING SEAT ELEVATIONS
S.N. 054-0061 (NB)

	H	I	J	K	L	M	N
West Abutment	625.17	625.26	625.32	625.18	625.00	624.91	624.83
East Abutment	624.01	624.23	624.41	624.41	624.35	624.29	624.22



JOB • 2265.2
FILE • 0540060_0061-72E11-16-AbutDet.dgn
DATE • 5/14/2013

DESIGNED - AAN
CHECKED - MDC
DRAWN - TSH
CHECKED - MDC

REVISED -
REVISED -
REVISED -
REVISED -

STATE OF ILLINOIS
DEPARTMENT OF TRANSPORTATION

ABUTMENT DETAILS
STRUCTURE NO. 054-0060 (SB) & STRUCTURE NO. 054-0061 (NB)

SHEET NO. 46 OF 53 SHEETS

F.A.I. RTE.	SECTION	COUNTY	TOTAL SHEETS	SHEET NO.
55	06 LOGAN CO BR 2011-1	LOGAN	429	276
				CONTRACT NO. 72E11
[ILLINOIS] FED. AID PROJECT				